



P.I.T.[®]

Progressive Innovational Technology

EN

PRODUCT PASSPORT
USER'S MANUAL

RU

ПАСПОРТ ИЗДЕЛИЯ ИНСТРУКЦИЯ
ПОЛЬЗОВАТЕЛЯ

CUT-OFF MACHINE

ПИЛА ОТРЕЗНАЯ ПО МЕТАЛЛУ



EAC

PCM355-C
PCM355-C1

PROGRESSIVE INNOVATIONAL TECHNOLOGY

ПРОГРЕССИВНЫЕ ИННОВАЦИОННЫЕ ТЕХНОЛОГИИ



GENERAL SAFETY PRECAUTIONS

Before operation:

- at transportation or storage of the saw in the conditions of negative temperatures influence it is necessary to sustain before operation a saw indoors at room temperature not less than 30 minutes;
- consider the environment influence, do not use the tool at high (more than 80%) ambient humidity below - 10 °C and above + 35°C;
- perform an external inspection of the tool for visible damage or deformation of the tool case;
- install the cutoff disks only in the dimensions and parameters specified in this manual, check the saw blade for damage and cracks before starting operation;
- check operability of the electromotor on/off control of the tool. Without connecting the saw to the mains, press and release the on/off control - it should return to its original position without delay;
- before starting operation, make sure that the cutoff disk is securely fixed;
- check the condition and reliability of the movable and fixed protective covers, the accuracy of the movable cover. It is forbidden to operate the saw the mobile protective cover which is faulty or damaged;
- before processing of the material which was in the use to be convinced of absence of nails and other metal subjects in preparation;
- after the necessary adjustments, secure the tool handles. At insufficiently reliable fixation during cutting, it is possible to change these settings and, as a result, the occurrence of jamming of the cutoff disk and reverse recoil;
- operation of the tool by untrained, untrained persons or children is prohibited.

Personal safety:

- when operating with the tool, always use suitable clothing, as well as eyesight (glasses) and hearing protection (headphones);
- be careful and watch what you do - do not operate with the tool if you are tired, are under the influence of medicines, reaction retardants, as well as in a state of alcoholic or narcotic intoxication;
- do not operate the power tool in an explosive environment or in the immediate vicinity of flammable liquids and gases, as the power tool is a source of sparks;
- when working, always choose a reliable support surface for the saw. Unreliable, wobbly or slippery support surface can cause loss of control when working with the saw - it is dangerous for the life and health of the operator;
- unauthorized persons, as well as children and animals are prohibited to be in the area of the cutting;
- secure the slug during operation. To do this, use clamping fixtures;
- do not touch during operation the rotating parts of the saw;
- never operate the saw, the protective cover of which is forcibly fixed in the open position;
- when performing angular, inclined or combined sawing, wait until the disk has stopped rotating completely before lifting the cutting unit up. Otherwise, when the cutting unit is lifted, the slug can be captured by the rotating disk and forcefully thrown towards the operator.

Electric safety:

- do not expose the tool directly to moisture or any other aggressive environment;
- in case of unusual sounds, vibration, over-heating the surface of the saw, the appearance of smoke or smell, typical for burning insulation, should immediately cease further use of the saw and contact the technical service center;
- be careful in handling the saw - do not drop it, and do not shake, do not operate and do not leave the saw in places where the temperature can reach above 40°C;
- do not leave the saw connected to the mains without supervision;
- keep an eye on the condition of the power cord and plug, do not damage them or make independent changes to the design;
- do not make various efforts to the power cord: never carry the tool by the cord, do not pull the cord to disconnect the power tool from the electrical socket. Keep the cord away from heat, moisture, oil. Avoid pulling, twisting, and breaking loads on the power cord;
- make sure that the voltage of your power supply corresponds to the data indicated on the saw nameplate. Then plug the power cord into a electrical socket;
- try not to block the rotation of the saw blade. Caused by blocking the rotation of the disk excess current leads to increased load on the motor and its possible further failure;
- avoid excessive (more than 15 minutes) continuous operation of the saw - this can lead to overheating of the saw motor and, as a result, its failure.

EXPLANATION OF P.I.T. TRADEMARK

P.I.T. Progressive Innovational Technology

Currently, 10 kinds of mechanical and electrical equipment are produced under the P.I.T. trademark. In terms of sales, cut off machines occupy one of the leading positions. The designation of this model of cut off machine has the following meaning.

For example, **PCM335-C**

P-Trademark of P.I.T.

CM – cut off machine

355 – cutoff disk diameter

C - modification series

INTENDED USE

Cut off machine is designed exclusively for dry straight, longitudinal and transverse cuts of metal blanks, designed for use in living environment at ambient temperatures from -5°C to +35°C and a relative humidity of not more than 80% in the absence of atmosphere precipitations exposure.



**MODEL
PCM355-C**



**MODEL
PCM355-C1**

PRODUCT SPECIFICATIONS

	PCM355-C	PCM355-C1
Rated voltage	220 V	220 V
Disk diameter	355 mm	355 mm
No load speed	3,800 rpm	3,800 rpm
Rated output capacity	2,400 W	2,500 W
Cutting depth	125 mm	125 mm
Weight	14kg	17.5kg
Drive type	Direct drive	Belt drive

FUNCTIONAL CAPABILITIES AND FEATURES

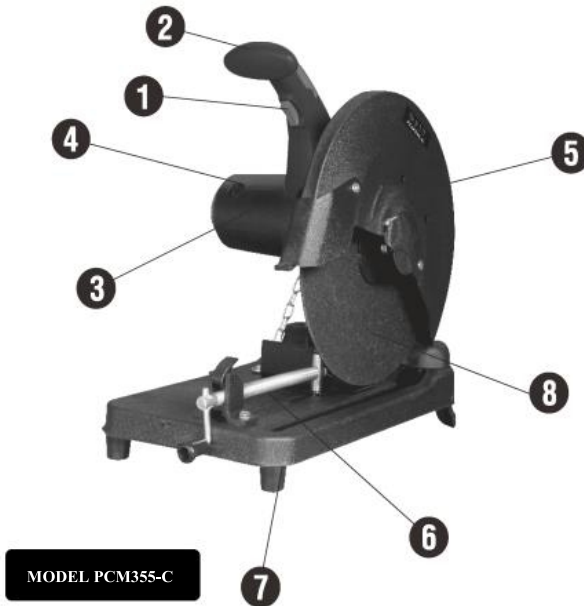
Functional capabilities:

Designed for cutting pipes, metal frames, PVC.

Features:

Belt drive of the PCM355-C1 model significantly reduces the maintenance costs of the cut off machine.

CUT OFF MACHINE ASSEMBLY

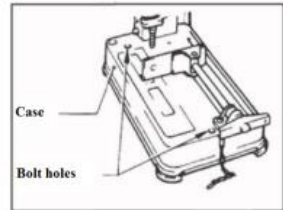


- | | |
|-------------------|---------------------|
| 1. On/off control | 5. Protective cover |
| 2. Handle | 6. Jaws |
| 3. Saw case | 7. Saw base |
| 4. Brush holder | 8. Cutoff disk |

RULES OF OPERATION

Fastening of the machine for cutting of metal blanks

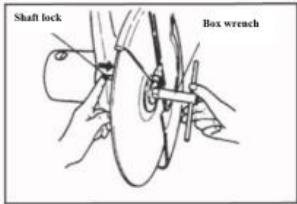
The machine for cutting slugs can be fixed by bolts (2 bolts) at a certain level and in a certain place, using the bolt holes provided in the lower part of the case.



Installing and removing the cutoff disk

Before removing or installing the cutoff disk, always check that the tool is turned off and unplug the power cord!

To remove the cutoff disk, lift the safety guard. Press the shaft lock so that the cutoff disk can rotate, use the box wrench to loosen the hex bolt by turning it counterclockwise. Then remove the hex bolt, remove the outer flange and the cutoff disk. (Note: do not remove the inner flange, ring and o-ring).

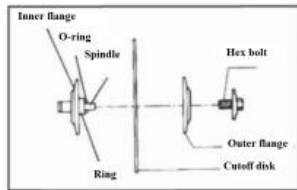


To install the cutoff disk, follow the above sequence of steps, but in reverse order.

Do not forget to tighten the hex bolt tightly. Insufficient tightening of the hex bolt may result in an accident.

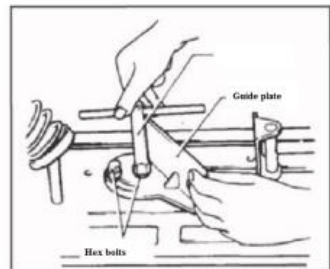
***Always use only the correct internal and external flanges supplied with this tool.**

***Always bring the safety guard down after replacing the cutoff disk.**



Cut angle setting

To change the cut angle, loosen the two hex bolts securing the guide plate. Move the guide plate to the desired angle (0-45°) and tighten the hex bolts tightly.

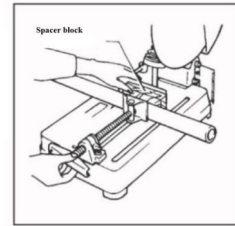
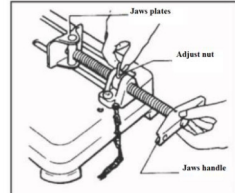


Fixation of the processed slugs

By turning the jaws handle counterclockwise and then moving the jaws adjust nut to the left, the jaws is removed from the shaft thread and thus can be quickly removed and installed back. To capture the slugs, press the jaws handle until the jaws plate comes into contact with the slug. Move the jaws adjust nut to the right, and then turn the jaws handle clockwise to lock the slug securely.

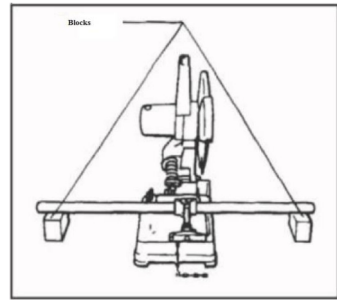
When fixing the slug, always install the adjust nut of the jaws all the way to the right. Otherwise, fixing the slug may not be sufficient. In this case, the slug may protrude too much or cause dangerous destruction of the cutoff disk. When the cutoff disk is severely worn, use a spacer made of durable non-flammable material to be installed behind the slug.

If you use a spacer block that is slightly narrower than the slug, you can also use the disk more economically.



On/off control action

In order to avoid accidental activation, as a security system, the tool has a lock key. To turn the tool on, press the lock key and pull the on/off control. Always check that the on/off control is operating properly before connecting the appliance to the mains. If you are not using the tool, remove the lock key and keep it in a safe place. Switching to the " OFF " position eliminates accidental powering on.






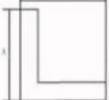
Tool operation

Hold the tool handle firmly. Turn on the tool and wait until the cutoff disk reaches full speed before cutting. When the cutoff disk comes into contact with the slug, gradually press the handle to perform the cutting. After cutting, turn off the tool and wait until the cutoff disk stops completely before returning the handle to the fully raised position.

The correct handle pressure during cutting and the maximum cutting efficiency can be determined by the number of sparks generated during the cutting process. Your pressure to the handle should be adjusted to produce the maximum sparks numbers. Do not accelerate cutting by applying excessive pressure to the handle. This can result in reduced cutting efficiency, premature wear of the cutoff disk, and possible damage to the tool, cutoff disk or slug.

Cutting rate

The maximum cutting rate varies depending on the work part shape and the cut angle.

Slug form / Cut angle				
90°	115 mm 4-1/2 inches	120 mm 4-23/32 inches	115 mm x 142 mm 4-1/2 inches x 5-5/8 inches 102 mm x 197 mm 4 inches x 7-3/4 inches 70 mm x 240 mm 2-3/4 inches x 9-7/16 inches	130 mm 5-1/2 inches
45°	115 mm 4-1/2 inches	106 mm 4-3/16 inches	115 mm x 102 mm 4-1/2 inches x 4 inches	100 mm 3-15/16 inches

Manual feed system

When you pull the handle towards you, the working tool head moves back approximately 17 mm (12/32 inches).

This system is useful for the following:

1. For cutting thick pipes and blanks:

Move the handle back and forth to move the working tool. This will help to increase cutting efficiency and eliminate excessive load to the cutoff disk.

2. For cutting portholes or corners:

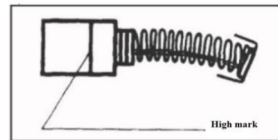
If a portion of the slug near you is left uncut, pull the handle. The tool head will go back and the cutoff disk will cut off the rest of the not cut part of the slug. If the uncut part cannot be cut even using this method, use a spacer block.

MAINTENANCE

Before performing inspection or maintenance, make sure that the tool is turned off and unplugged.

Replacement the carbon brushes

Remove and regularly check the condition of the carbon brushes. Replace the carbon brushes when the degree of wear has reached the limit. Keep the carbon brushes clean, the brushes should move freely in the brush holders. Both carbon brushes should be replaced at the same time. Use only identical carbon brushes.



TERMS OF WARRANTY SERVICE

1. This Warranty Certificate is the only document that confirms your right to free warranty service. Without presenting this certificate, no claims are accepted. In case of loss or damage, the warranty certificate is not restored.

2. The warranty period for the electric machine is 12 months from the date of sale, during the warranty period the service department eliminates manufacturing defects and replaces parts that have failed due to the fault of the manufacturer free of charge. In the warranty repair, an equivalent operable product is not provided. Replaceable parts become property of service providers.

P.I.T. is not liable for any damage that may be caused by operation of the electric machine.

3. Only clean tool accompanied with the following duly executed documents: this Warranty Certificate, Warranty Card, with all fields filled out, bearing the stamp of the trade organization and the signature of the buyer, shall be accepted for warranty repair.

4. Warranty repair is not performed in the following cases:

- in the absence of a Warranty Certificate and a Warranty Card or their incorrect execution;
- with failure of both a rotor and a stator of the electric engine, charring or melting of primary winding of the welding machine transformer, charging or starting-charging device, with internal parts melting, burn down of electronic circuit boards;
- if a Warranty Certificate or a Warranty Card does not correspond to this electric machine or to the form established by the supplier;
- upon expiration of the warranty period;
- at attempts of opening or repair of the electric machine outside the warranty workshop; making constructive changes and lubrication of the tool during the warranty period, as evidenced, for example, by the creases on the spline parts of the fasteners of non-rotational parts.
- when using electric tools for production or other purposes connected with making a profit, as well as in case of malfunctions related to instability of the power network parameters exceeding the norms established by GOST;
- in the events of improper operation (use the electric machine for other than intended purposes, attachments to the electric machine of attachments, accessories, etc. not provided by the manufacturer);
- with mechanical damage to the case, power cord and in case of damages caused by aggressive agents and high and low temperatures, ingress of foreign objects in the ventilation grids of the electric machine, as well as in case of damage resulting from improper storage (corrosion of metal parts);
- natural wear and tear on the parts of the electric machine, as a result of long-term operation (determined on the basis of the signs of full or partial depletion of the specified mean life, great contamination, presence of rust outside and inside the electric machine, waste lubricant in the gearbox);
- use of the tool the purposes for other than specified in the operating instructions.
- mechanical damages to the tool;
- in the event of damages due to non-observance of the operating conditions specified in the instruction (see chapter "Safety Precautions" of the Manual).
- damage to the product due to non-observance of the rules of storage and transportation.

Preventive maintenance of electric machines (cleaning, washing, lubrication, replacement of anthers, piston and sealing rings) during the warranty period is a paid service.

The service life of the product is determined by the manufacturer and is 2 years from the date of manufacture.

The owner is notified of any possible violations of the above terms of warranty service upon completion of diagnostics in the service center.

The owner of the tool entrusts the diagnostic procedure to be conducted in the service center in his absence.

Do not operate the electric machine when there are signs of excessive heat, sparking, or noise in the gearbox. To determine the cause of the malfunction, the buyer should contact the warranty service center.

Malfunctions caused by late replacement of carbon brushes of the engine are eliminated at the expense of the buyer.

5. The warranty does not cover:

- replacement of parts (accessories and furniture), for example: accumulators, disks, knives, drills, bores, cartridges, chains, sprockets, collet clamps, buses, tensioning elements and fasteners, trim tabs, pads of grinders and tape machines, etc.
- quick-wear parts, for example: carbon brushes, drive belts, glands, protective covers, guide rollers, guides/rails, rubber seals, bearings, timing belts and wheels, shafts, brake band, ratchet wheels and starter cables, piston rings, etc. Replacing them during the warranty period is a paid service.
- power cords, in case of insulation damage, power cords are subject to mandatory replacement without the consent of the owner (paid service),
- casing of machine.

P.I.T. WARRANTY CERTIFICATE

Product Name _____

Product Number □□□□□□□□□□

Place of Seal

Serial Number □□□□□□□□□□

Sale Date _____

Trade Organization Name _____

Dear customer!

Thank you for purchasing the P.I.T tool, and we hope that you will be satisfied with your choice. In the process of manufacturing the P.I.T tools pass multilevel quality control, if nevertheless your product will need maintenance, please contact the authorized P.I.T service centers.

Attention!

When buying, ask a seller to check the completeness and operability of the tool, to fill out the Warranty Certificate, the Warranty Card (the boxes shall be filled out by a seller) and to affix the seal of the trade organization in the Guarantee Certificate and the Warranty Card.

Warranty

By this Warranty Certificate, P.I.T. company guarantees the absence of defects of the production nature.

In the event any of the above defects are detected during the warranty period, the specialized P.I.T. service centers shall repair the product and replace the defective spare parts free of charge.

The warranty period for P.I.T. electric machines is 12 months from the date of sale.

“The warranty maintenance terms acknowledged and accepted. The operability and completeness of the product are checked in my presence. No claims on quality and appearance.”

Buyer's Signature _____ Surname (legibly) _____

Phone _____

ОБЩИЕ МЕРЫ БЕЗОПАСНОСТИ

Перед началом работы:

- при транспортировке или хранении пилы в условиях воздействия отрицательных температур необходимо перед началом эксплуатации выдержать пилу в помещении при комнатной температуре не менее 30 минут;
- учитывайте влияние окружающей среды, не используйте инструмент при высокой (более 80%) влажности окружающей среды ниже –10 и выше +35°C;
- проведите внешний осмотр инструмента на наличие видимых повреждений или деформации корпуса инструмента;
- устанавливайте отрезные диски только указанных в настоящем руководстве размеров и параметров, перед началом работы проверяйте пильный диск на отсутствие повреждений и трещин;
- проверяйте работоспособность выключателя электродвигателя инструмента. Не подключая пилу к электросети, нажмите и отпустите выключатель – он без задержек должен возвратиться в исходное положение;
- перед началом работы убедитесь в надежности фиксации отрезного диска;
- проверьте состояние и надежность крепления подвижного и неподвижного защитных кожухов, четкость срабатывания подвижного кожуха. Запрещается работать пилой, подвижный защитный кожух который неисправен или поврежден;
- перед обработкой материала, бывшего в употреблении, убедитесь в отсутствии гвоздей и других металлических предметов в заготовке;
- после необходимых регулировок надежно зафиксируйте рукоятки установки. При недостаточно надежной фиксации во время пиления возможно изменение этих установок и, как следствие, возникновение заклинивания отрезного диска и обратной отдачи;
- запрещается эксплуатация инструмента неподготовленными, необученными лицами или детьми.

Личная безопасность:

- при работе с инструментом всегда используйте подходящую спецодежду, а так же средства защиты зрения (очки) и слуха (наушники);
- будьте внимательны и следите за тем, что вы делаете – не работайте с инструментом, если вы устали, находитесь под влиянием лекарственных средств, снижающих реакцию, а так же в состоянии алкогольного или наркотического опьянения;
- не работайте электроинструментом во взрывоопасной среде или в непосредственной близости легковоспламеняющихся жидкостей и газов, т.к. электроинструмент является источником искр;
- при работе всегда выбирайте надежную опорную поверхность для пилы. Неадекватная, шатающаяся или скользкая опорная поверхность может послужить причиной потери контроля при работе пилой – это опасно для жизни и здоровья оператора;
- посторонним лицам, а так же детям и животным запрещается находиться в зоне работы пилы;
- во время работы надежно закрепляйте обрабатываемую деталь. Для этого используйте зажимные фиксирующие приспособления;
- не соприкасайтесь во время работы в вращающихся частями пилы;
- никогда не работайте пилой, защитный кожух которой принудительно зафиксирован в открытом положении;
- при выполнении углового, наклонного или комбинированного пиления дождитесь полной остановки вращения диска прежде, чем поднять вверх режущий блок. В противном случае, при поднятии режущего блока обрезки заготовки могут быть захвачены вращающимся диском и с силой отброшены в сторону оператора.

Электробезопасность:

- не подвергайте инструмент непосредственному воздействию влаги или любой другой агрессивной среды;
- при появлении посторонних звуков, вибрации, повышенного нагрева поверхности пилы, появления дыма или постороннего запаха, характерного для горелой изоляции, следует незамедлительно прекратить дальнейшую эксплуатацию пилы и обратиться в сервисный центр;
- будьте осторожны в обращении с пилой – не роняйте ее, и не подвергайте тряске, не работайте и не оставляйте пилу в местах, где температура может достигать отметки выше 40°C;
- не оставляйте без надзора пилу, подключенную к электросети;
- следите за состоянием шнура электропитания и штепсельной вилки, не допускайте их повреждения или внесения самостоятельных изменений в конструкцию;
- не прилагайте различного рода усилия к шнуру электропитания: никогда не переносите инструмент за шнур, не дергайте за шнур для отключения электроинструмента от электрической розетки. Держите шнур подальше от источников тепла, влаги, масла. Не допускайте натягивания, переключивания и нагрузки на разрыв шнура электропитания;
- убедитесь в том, что напряжение вашей электросети соответствует данным, указанным на заводской табличке корпуса пилы. После этого подключите штепсельную вилку шнура электропитания к розетке электросети;
- старайтесь не допускать блокировки вращения диска пилы. Вызванное блокировкой вращение диска избыточное поступление тока приводит к повышенной нагрузке на электродвигатель и возможной дальнейшей его поломке;
- избегайте длительной (более 15 минут) непрерывной работы пилы – это может привести к перегреву электродвигателя пилы и, как следствие, его поломке.

РАСШИФРОВКА ТОРГОВОЙ МАРКИ P.I.T.

P.I.T. Progressive Innovational Technology (Прогрессивные Инновационные Технологии)

В настоящее время под маркой P.I.T. выпускается механическое и электрическое оборудование 10 видов. По объему продаж отрезные пилы занимают одно из лидирующих мест. Обозначение данной модели отрезной пилы по металлу имеет следующее значение.

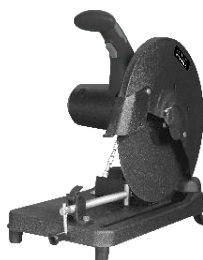
Например, **PCM355-C**

P – торговая марка P.I.T.

CM – отрезная пила по металлу

355 – диаметр отрезного диска 355 мм

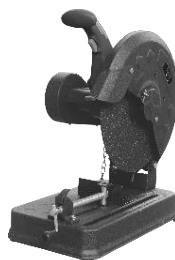
C – серия модификации



модель PCM355-C

НАЗНАЧЕНИЕ

Отрезная пила предназначена исключительно для сухих прямых, продольных и поперечных резов металлических заготовок, предназначена для эксплуатации в бытовых условиях при температуре окружающей среды от -5 до +35°C и относительной влажности воздуха не более 80% при отсутствии воздействия атмосферных осадков.



модель PCM355-C1

ТЕХНИЧЕСКИЕ ХАРАКТЕРИСТИКИ

	PCM355-C	PCM355-C1
Номинальное напряжение	220 В	220 В
Диаметр диска	355 мм	355 мм
Число оборотов на холостом ходу	3800 об/мин	3800 об/мин
Номинальная выходная мощность	2400 Вт	2500 Вт
Глубина резания	125 мм	125 мм
Вес	14 кг	17.5 кг
Тип привода	прямой	ременной

ФУНКЦИОНАЛЬНЫЕ ВОЗМОЖНОСТИ И ОСОБЕННОСТИ

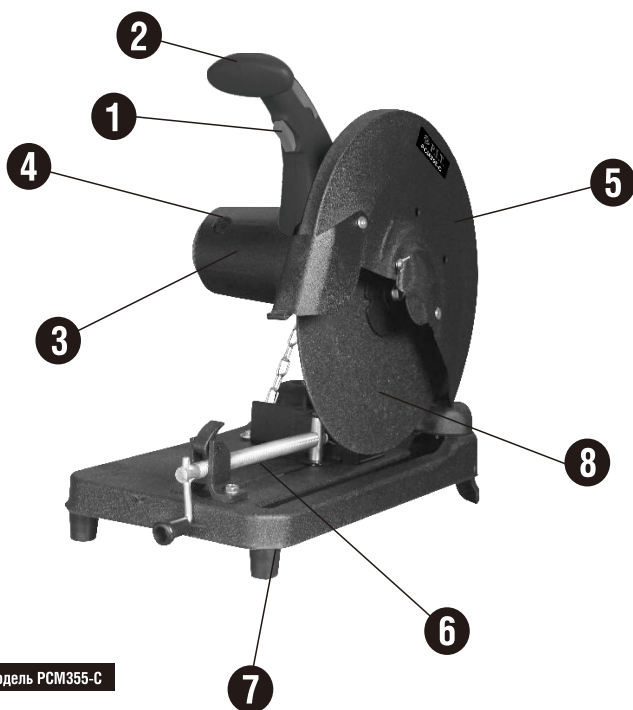
Функциональные возможности:

Предназначена для резки труб, металлических каркасов, ПВХ.

Особенности:

Ременная передача модели РСМ355-С1 значительно сокращает расходы на обслуживание пилы

УСТРОЙСТВО ОТРЕЗНОЙ ПИЛЫ

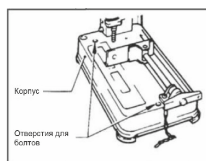


- | | |
|-----------------------|-------------------|
| 1. Кнопка выключателя | 5. Защитный кожух |
| 2. Рукоятка | 6. Тиски |
| 3. Корпус пилы | 7. Основание пилы |
| 4. Щеткодержатель | 8. Отрезной диск |

ПРАВИЛА ЭКСПЛУАТАЦИИ

Крепление машины для резки заготовок

Машина для резки заготовок может быть закреплена болтами (2болта) на определенном уровне и в определенном месте, используя отверстия для болтов, предусмотренные в нижней части корпуса.



Установка и снятие отрезного диска

Перед снятием или установкой отрезного диска, всегда проверяйте, выключен ли инструмент и выньте штепсель шнура питания из розетки!

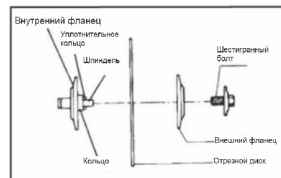
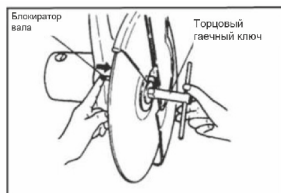
Чтобы снять отрезной диск, поднимите защитное ограждение. Нажмите блокиратор вала так, чтобы отрезной диск мог вращаться, с помощью торцевого ключа ослабьте шестигранный болт, поворачивая его против часовой стрелки. Затем удалите шестигранный болт, снимите внешний фланец и отрезной диск. (Примечание: не снимайте внутренний фланец, кольцо и кольцевой уплотнитель).

Чтобы установить отрезной диск, выполните указанную выше последовательность действий, но в обратном порядке.

Не забудьте плотно затянуть шестигранный болт. Недостаточная затяжка шестигранного болта может привести к несчастному случаю.

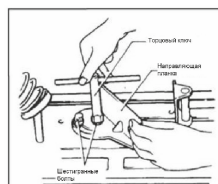
***Всегда используйте только правильные внутренние и внешние фланцы, которые входят в комплект поставки данного инструмента.**

***После замены отрезного диска всегда опускайте защитное ограждение.**



Установка угла резания

Чтобы изменить угол резания, ослабьте два шестигранных болта, фиксирующих направляющую планку. Переместите направляющую планку на требуемый угол (0–45°) и плотно затяните шестигранные болты.

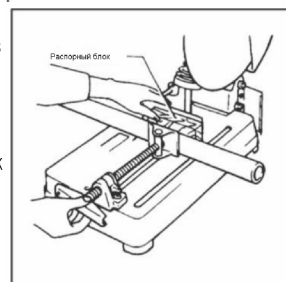
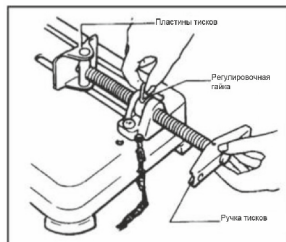


Фиксация обрабатываемых заготовок

Поворачивая ручку тисков против часовой стрелки и затем, переведя регулировочную гайку тисков влево, тиски снимаются с резьбы вала и таким образом могут быть быстро сняты и установлены обратно. Чтобы захватить обрабатываемую заготовку, нажимайте ручку тисков до тех пор, пока пластина тисков не войдет в контакт с обрабатываемой заготовкой. Переведите регулировочную гайку тисков вправо, и затем поверните ручку тисков по часовой стрелке, чтобы надежно зафиксировать заготовку.

При фиксации заготовки, всегда устанавливайте регулировочную гайку тисков полностью вправо. В противном случае фиксация заготовки может оказаться недостаточной. В этом случае заготовка может слишком выступать или вызвать опасное разрушение отрезного диска. Когда отрезной диск сильно изношен, используйте распорную деталь из прочного невоспламеняющегося материала, устанавливаемую позади обрабатываемой заготовки.

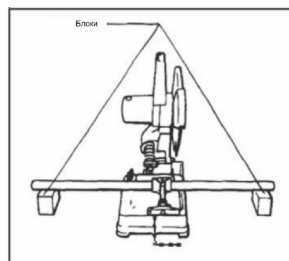
Если вы используете разделительный блок, который оказывается немного более узким, чем обрабатываемая заготовка, то можно также использовать диск более экономно.



Действие переключателя

Для того чтобы исключить случайное включение, в качестве системы безопасности, в инструменте предусмотрена кнопка блокировки. Чтобы включить инструмент, нажмите кнопку блокировки и потяните выключатель.

Перед подключением прибора к электрической сети всегда проверяйте, чтобы выключатель работал должным образом. Если инструмент не используется, то удалите кнопку блокиратора и сохраните ее в безопасном месте. Переключение в положение «Выключено» исключает случайное включение.



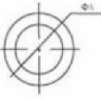
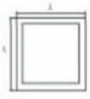
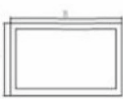

Работа инструмента

Держите ручку инструмента крепко. Включите инструмент и подождите, пока отрезной диск не достигнет полной скорости, прежде чем приступить к резанию. Когда отрезной диск входит в контакт с обрабатываемой заготовкой, то постепенно прижимайте ручку, чтобы выполнить резку. После выполнения резки выключите прибор и подождите, пока отрезной диск не остановится полностью, прежде чем вернуть ручку в полностью поднятое положение.

Правильное давление ручки во время резки и максимальная эффективность резания могут быть определены по количеству искр, появляющихся в процессе резки. Ваше давление на ручку должно регулироваться так, чтобы произвести максимальное количество искр. Не ускоряйте резку, оказывая чрезмерное давление на ручку. Это может отразиться на снижении эффективности резания, преждевременном износе отрезного диска, а также возможном повреждении инструмента, отрезного диска или обрабатываемой заготовки.

Производительность резки

Максимальная производительность резки меняется в зависимости от формы обрабатываемой детали и угла резки.

Форма заготовки Угол резки				
90°	115 мм (4-1/2 дюйма)	120 мм (4-23/32 дюйма)	115 мм x 142 мм (4-1/2 дюйма x 5-5/8 дюйма) 102 мм x 197 мм (4 дюйма x 7-3/4 дюйма) 70 мм x 240 мм (2-3/4 дюйма x 9-7/16 дюйма)	130 мм (5-1/2 дюйма)
45°	115 мм (4-1/2 дюйма)	106 мм (4-3/16 дюйма)	115 мм x 102 мм (4-1/2 дюйма x 4 дюйма)	100 мм (3-15/16 дюйма)

Ручная система подачи

Когда вы тянете ручку к себе, то головка рабочего инструмента перемещается назад, приблизительно, на 17 мм (12/32 дюйма).

Эта система удобна для выполнения следующих действий:

1. Для резки толстых труб и болванок:

Переведите ручку назад и вперед, чтобы переместить рабочий инструмент. Это поможет увеличить эффективность резания и исключить чрезмерную нагрузку на отрезной диск.

2. Для резки каналов или углов:

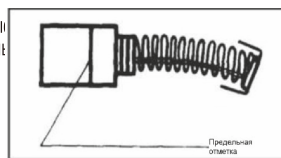
Если часть обрабатываемой заготовки около Вас осталась не разрезанной, то потяните ручку. Головка инструмента отойдет назад и отрезной диск отрежет оставшуюся часть не отрезанную часть заготовки. Если неразрезанную часть невозможно отрезать даже при использовании этого метода, то используйте распорный блок.

ТЕХНИЧЕСКОЕ ОБСЛУЖИВАНИЕ

Прежде чем производить осмотр или техническое обслуживание, удостоверьтесь в том, что устройство выключено и отсоединено от электрической сети.

Замена угольных щеток

Снимайте и регулярно проверяйте состояние угольных щеток. Замените угольные щетки, когда степень их износа достигла предельной отметки. Содержите угольные щетки в чистоте, щетки должны свободно перемещаться в щеткодержателях. Одновременно следует заменить обе угольные щетки. Используйте только идентичные угольные щетки.



УСЛОВИЯ ГАРАНТИЙНОГО ОБСЛУЖИВАНИЯ

1. Настоящее гарантийное свидетельство является единственным документом, подтверждающим Ваше право на бесплатное гарантийное обслуживание. Без предъявления данного свидетельства претензии не принимаются. В случае утери или порчи гарантийное свидетельство не восстанавливается.
 2. Гарантийный срок на электроинструмент составляет 12 месяцев со дня продажи, в течение гарантийного срока сервисная служба бесплатно устраняет производственные дефекты и производит замену деталей, вышедших из строя по вине изготовителя. На период гарантийного ремонта эквивалентный исправный инструмент не предоставляется. Заменяемые детали переходят в собственность служб сервиса. Компания P.I.T. не несет ответственности за вред, который может быть причинен при работе с электроинструментом.
 3. В гарантийный ремонт инструмент принимается в чистом виде, при обязательном наличии надлежащим образом оформленных документов: настоящего гарантийного свидетельства, гарантийного талона, с полностью заполненными полями, штампом торговой организации и подписью покупателя.
 4. Гарантийный ремонт не производится в следующих случаях:
 - при отсутствии гарантийного свидетельства и гарантийного талона или неправильном их оформлении;
 - при совместном выходе из строя якоря и статора электродвигателя, при обугливании или оплавлении первичной обмотки трансформатора сварочного аппарата, зарядного или пуско-зарядного устройства, при оплавлении внутренних деталей, прожиге электронных плат;
 - если гарантийное свидетельство или талон не принадлежит данному электроинструменту или не соответствует установленному поставщиком образцу;
 - по истечении срока гарантии;
 - при попытках самостоятельного вскрытия или ремонта электроинструмента вне гарантийной мастерской; внесения конструктивных изменений и смазки инструмента в гарантийный период, о чем свидетельствуют, например, заломы на шлицевых частях крепежа корпусных деталей.
 - при использовании электроинструмента в производственных или иных целях, связанных с получением прибыли, а также – при возникновении неисправностей связанных с нестабильностью параметров электросети, превышающих нормы, установленные ГОСТ;
 - при неправильной эксплуатации (использование электроинструмента не по назначению, установки на электроинструмент не предназначенных заводом-изготовителем насадок, дополнительных приспособлений и т.п.;
 - при механических повреждениях корпуса, сетевого шнура и при повреждениях, вызванных воздействиями агрессивных средств и высоких и низких температур, попадании инородных предметов в вентиляционные решетки электроинструмента, а также при повреждениях, наступивших в результате неправильного хранения(коррозия металлических частей);
 - при естественном износе деталей электроинструмента, в результате длительной эксплуатации(определяется по признакам полной или частичной выработки ресурса, сильного загрязнения, ржавчины снаружи и внутри электроинструмента, отработанной смазки в редукторе);
 - использование инструмента не по назначению, указанному в инструкции по эксплуатации.
 - при механических повреждениях инструмента;
 - при возникновении повреждений в связи с несоблюдением предусмотренных инструкцией условий эксплуатации(см. главу Указание по технике безопасности в инструкции).
 - повреждение изделия вследствие несоблюдения правил хранения и транспортировки.
- Профилактическое обслуживание электроинструмента (чистка, промывка, смазка, замена пыльников, поршневых и уплотнительных колец) в гарантийный период является платной услугой.
- Срок службы изделия установлен производителем и составляет 2 года со дня изготовления.
- О возможных нарушениях, изложенных выше условий гарантийного обслуживания, владельцу сообщается после проведения диагностики в сервисном центре.
- Владелец инструмента доверяет проведение диагностики в сервисном центре в свое отсутствие.
- Запрещается эксплуатация электроинструмента при проявлении признаков повышенного нагрева, искрения, а также шума в редукторной части. Для выяснения причин неисправности покупателю следует обратиться в гарантийную мастерскую.
- Неисправности, вызванные несвоевременной заменой угольных щеток двигателя, устраняются за счет покупателя.
5. Гарантия не распространяется на:
 - сменные принадлежности (аксессуары и оснастка), например: аккумуляторы, диски, ножи, сверла, буры, патроны, цепи, звездочки, шанговые зажимы, шины, элементы натяжения и крепления, головки триммеров, подошвы шлифовальных и ленточных машин, фильтры и т.п.
 - быстроизнашивающиеся детали, например: угольные щетки, приводные ремни, сальники, защитные кожухи, направляющие ролики, направляющие, резиновые уплотнения, подшипники, зубчатые ремни и колеса, стволы, ленты тормоза, храповики и тросы стартеров, поршневые кольца и т.п. Замена их в течении гарантийного срока является платной услугой.
 - шнуры питания, в случае повреждения изоляции, шнуры питания подлежат обязательной замене без согласия владельца (услуга платная).
 - корпуса инструмента.

ГАРАНТИЙНОЕ СВИДЕТЕЛЬСТВО НА ИНСТРУМЕНТ P.I.T.

Наименование изделия _____

Артикул изделия Серийный номер

Дата продажи «__» _____

Наименование торговой организации _____

М.П.

Уважаемый покупатель!

Благодарим Вас за покупку инструмента P.I.T. и надеемся, что Вы останетесь довольны своим выбором. В процессе производства инструменты P.I.T. проходят многоуровневый контроль качества, если тем не менее Ваше изделие будет нуждаться в обслуживании, просим Вас обращаться в авторизованные сервисные центры P.I.T.

Внимание!

При покупке требуйте у продавца проверки комплектности и работоспособности инструмента, заполнение гарантийного свидетельства, гарантийного талона (графы заполняются продавцом) и простановки печати торговой организации в гарантийном свидетельстве и гарантийном талоне.

Гарантия

На основании данного гарантийного свидетельства компания P.I.T. гарантирует отсутствие дефектов производственного характера.

Если в течении гарантийного срока в Вашем изделии тем не менее обнаружатся указанные дефекты, специализированные сервисные центры P.I.T. бесплатно отремонтируют изделие и заменят дефектные запасные части.

Гарантийный срок на электроинструменты P.I.T. составляет 12 месяцев со дня продажи.

«С условиями гарантийного обслуживания ознакомлен(а). Работоспособность и комплектность изделия проверены в моем присутствии. Претензий к качеству и внешнему виду не имею».

Подпись покупателя _____ Фамилия(разборчиво) _____

Телефон _____

P.I.T. WARRANTY CARD

Name _____
 Serial number _____
 The date of sale 20 ____
 The date of receipt of the repair 20 ____



Name _____
 Serial number _____
 Date of sale "" _____
 (Filled by seller)

Seal is here

WARRANTY REPAIR CARD
 date of acceptance for repair ____ 20 ____ .
 Application for repair _____
 Customer _____
 Telephone (address) _____
 The reason for petition _____
 Tool checked in my presence _____
 (The order is filled in the service center) (signature)

Seal is here

Name _____
 Serial number _____
 The date of sale 20 ____
 The date of receipt of the repair 20 ____



Name _____
 Serial number _____
 Date of sale "" _____
 (Filled by seller)

Seal is here

WARRANTY REPAIR CARD
 date of acceptance for repair ____ 20 ____ .
 Application for repair _____
 Customer _____
 Telephone (address) _____
 The reason for petition _____
 Tool checked in my presence _____
 (The order is filled in the service center) (signature)

Seal is here

Name _____
 Serial number _____
 The date of sale 20 ____
 The date of receipt of the repair 20 ____



Name _____
 Serial number _____
 Date of sale "" _____
 (Filled by seller)

Seal is here

WARRANTY REPAIR CARD
 date of acceptance for repair ____ 20 ____ .
 Application for repair _____
 Customer _____
 Telephone (address) _____
 The reason for petition _____
 Tool checked in my presence _____
 (The order is filled in the service center) (signature)

Seal is here

ГАРАНТИЙНЫЙ ТАЛОН P.I.T.

Наименование _____
 Серийный номер _____
 Дата продажи «__» ____ 20__ г.
 Дата получения из ремонта «__» ____ 20__ г.



Наименование _____
 Серийный номер _____
 Дата продажи «__» ____ 20__ г.
 (Заполняется продавцом)

М.П.

КАРТА ГАРАНТИЙНОГО РЕМОНТА __
 Дата приема в ремонт __ ____ 20__ г.
 Заявка на ремонт _____
 Заказчик _____
 Телефон(адрес) _____
 Причина обращения _____
 Дата получения из ремонта __ ____ 20__ г.
 Инструмент проверен в моем присутствии _____
 (Заказ заполняется в сервисном центре) (подпись)

М.П.

Наименование _____
 Серийный номер _____
 Дата продажи «__» ____ 20__ г.
 Дата получения из ремонта «__» ____ 20__ г.



Наименование _____
 Серийный номер _____
 Дата продажи «__» ____ 20__ г.
 (Заполняется продавцом)

М.П.

КАРТА ГАРАНТИЙНОГО РЕМОНТА __
 Дата приема в ремонт __ ____ 20__ г.
 Заявка на ремонт _____
 Заказчик _____
 Телефон(адрес) _____
 Причина обращения _____
 Дата получения из ремонта __ ____ 20__ г.
 Инструмент проверен в моем присутствии _____
 (Заказ заполняется в сервисном центре) (подпись)

М.П.

Наименование _____
 Серийный номер _____
 Дата продажи «__» ____ 20__ г.
 Дата получения из ремонта «__» ____ 20__ г.



Наименование _____
 Серийный номер _____
 Дата продажи «__» ____ 20__ г.
 (Заполняется продавцом)

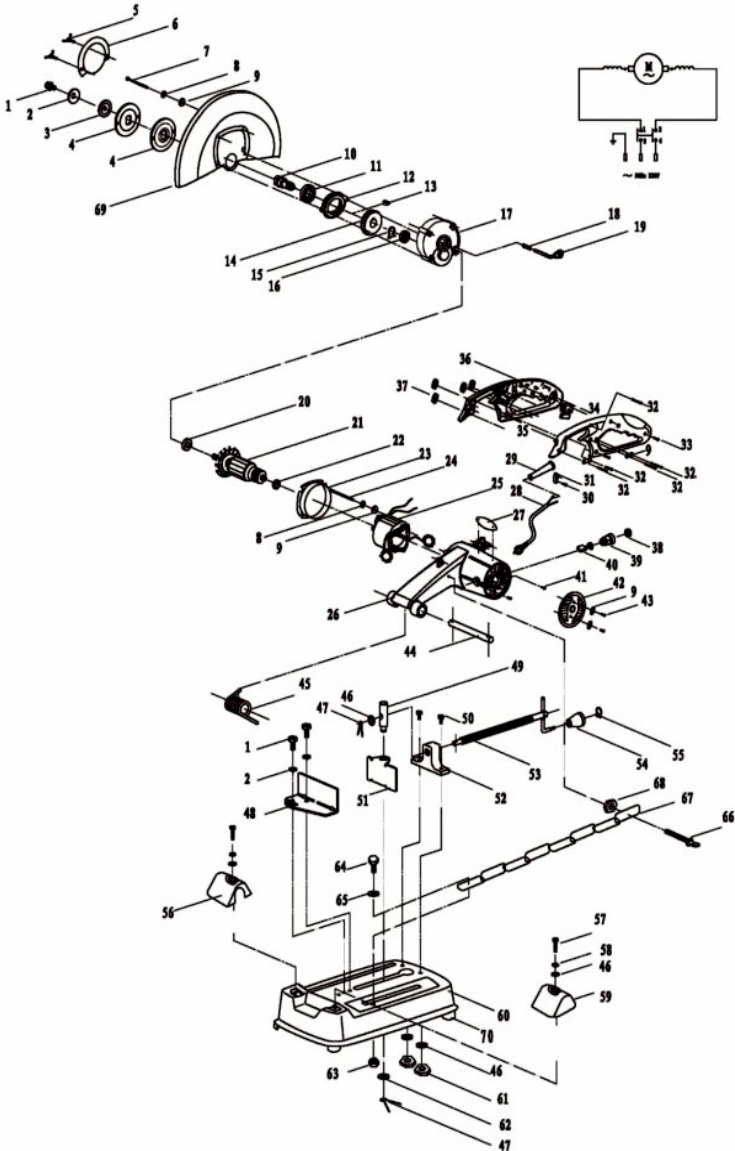
М.П.

КАРТА ГАРАНТИЙНОГО РЕМОНТА __
 Дата приема в ремонт __ ____ 20__ г.
 Заявка на ремонт _____
 Заказчик _____
 Телефон(адрес) _____
 Причина обращения _____
 Дата получения из ремонта __ ____ 20__ г.
 Инструмент проверен в моем присутствии _____
 (Заказ заполняется в сервисном центре) (подпись)

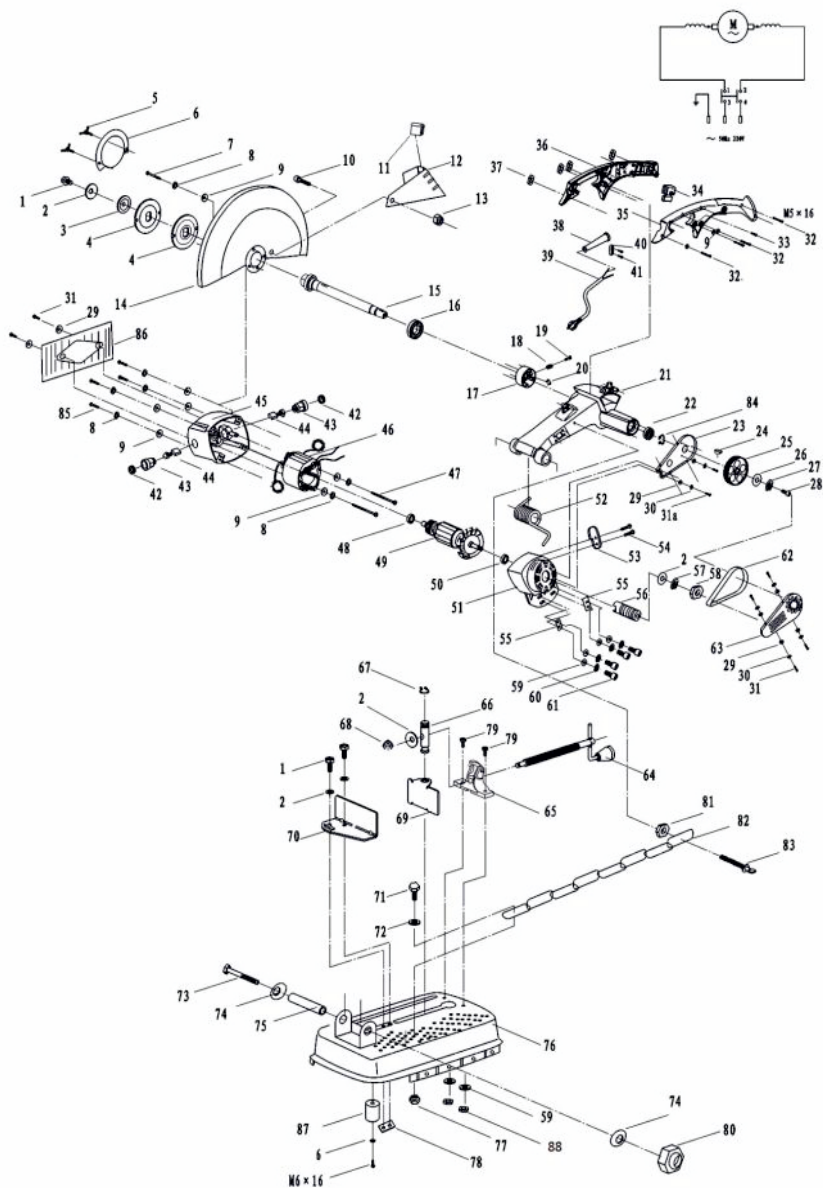
М.П.

P.I.T. WARRANTY SHEET / ГАРАНТИЙНЫЙ ТАЛОН P.I.T.

PCM355-C



PCM355-C1





Поставщик: Китай Xinjiang Longbo Industrial Co., Ltd.
Адрес производства: Rm. 602, 6th Floor, No. 531, Weixing Road, Economic And Technological Development Zone, Urumqi, Xinjiang, China
Уполномоченный представитель: ООО "Турбо-Тулс"
Юридический адрес: 614012, Пермский КРАЙ, г. Пермь, ул. Норильская, д. 8

Сделано в КНР/Made in China

