

Contents

| | | |
|-----------|--------------------------|-----|
| EN | User Manual | 1 |
| DE | Benutzerhandbuch | 25 |
| FR | Manuel d'utilisation | 51 |
| IT | Manuale utente | 76 |
| ES | Manual de usuario | 100 |
| RU | Руководство пользователя | 124 |
| PL | Instrukcja obsługi | 150 |
| HE | מדריך למשתמש | 174 |
| SA | دليل الاستخدام | 198 |

Safety Information

To avoid electric shock, fire or injury caused by improper use of the appliance, please read the user manual carefully before using the appliance and keep it for future reference.

Usage Restrictions

- This product should not be used by children younger than 8 years old nor persons with physical, sensory, intellectual deficiencies, or limited experience or knowledge without the supervision of a parent or guardian to ensure safe operation and to avoid any risks. Cleaning and maintenance shall not be performed by children without supervision.
- The appliance is only to be used with the power supply unit provided with the appliance.
- This appliance contains batteries that are only replaceable by skilled persons.
- Clear the area to be cleaned. Children shall not play with the appliance. Ensure children and pets are kept at a safe distance from the robot while it is operating.
- Do not install, charge or use the appliance in the bathrooms or around the pools.
- This product is for floor cleaning in a home environment only. Do not use it outdoors, on non-floor surfaces, or in a commercial or industrial setting.
- Ensure that the appliance operates correctly in a proper environment. Otherwise, do not use the appliance.
- If the power cord is damaged, it must be replaced by a special cord or assembly available from the manufacturer or its service agent.
- Do not use the robot in an area suspended above ground level without a

Safety Information

Usage Restrictions

- protective barrier.
- Do not place the robot upside down. Do not use the LDS cover, robot cover, or bumper as a handle for the robot.
- Do not use the robot at an ambient temperature above 40°C or below 0°C or on a floor with liquids or sticky substances.
- To prevent damage or harm from dragging, clear any loose objects from the floor, and remove cables or power cords on the cleaning path before operating the appliance.
- Remove fragile or small items from the floor to prevent the robot from bumping into and damaging them.
- Keep hair, fingers, and other body parts away from the suction opening of the robots.
- Keep the cleaning tool out of reach of children.
- Do not operate the appliance in a room where an infant or child is sleeping.
- Do not place children, pets, or any item on top of the robot regardless of whether it is stationary or moving.
- Keep the cleaner out of reach of children.
- Use only the officially-approved detergent. Do not add any liquid such as alcohol or disinfectant.
- Do not use the robot to clean any burning objects. Do not use the robot to pick up flammable or combustible liquids, corrosive gases, or undiluted acids or solvents.

Safety Information

Usage Restrictions

- Do not vacuum hard or sharp objects. Do not use the appliance to pick up objects such as stones, large pieces of paper or any item that may clog the appliance.
- Plug must be removed from the socket-outlet before cleaning or maintaining the appliance.
- Do not wipe the robot or the base station with a wet cloth or rinse them with any liquid. After cleaning washable parts, fully dry the parts before reinstalling and using them.
- Please use this product in accordance with the instructions in the User Manual. Users are responsible for any loss or damage that arise from improper use of this product.

Batteries and Charging

- Do not use any third-party battery or base station. The robot can only be used with the model RCS9-5 base station.
- Do not attempt to disassemble, repair, or modify the battery or the base station on your own.
- Do not place the base station near a heat source.
- Do not use a wet cloth or wet hands to wipe or clean the base station's charging contacts.
- Do not improperly dispose of old batteries. Unneeded batteries should be discarded at an appropriate recycling facility.
- If the power cord becomes damaged or broken, stop using it immediately and contact after-sales service.

Safety Information

Batteries and Charging

- Make sure the robot is turned off when being transported and kept in its original packaging if possible.
- If the robot will not be used for an extended period of time, fully charge it, then turn it off and store it in a cool, dry place. Recharge the robot at least once every 3 months to avoid over-discharging the battery.
- The lithium-ion battery pack contains substances that are hazardous to the environment. Before disposing of the robot vacuum, please first remove the battery pack, then discard, or recycle it in accordance with local laws and regulations of the country or region it is used in.
- When removing the batteries from the product, it is better to use up the batteries and make sure your product is disconnected from power.
 - 1) Uninstall the screw on the bottom, then remove the cover.
 - 2) Unplug the battery connector, then remove the batteries. Do not damage the battery case to avoid any risk of injuries.
 - 3) Return the batteries to a professional recycling organization.

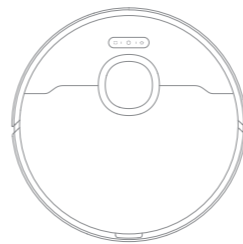
Laser Safety Information

- The laser sensor in this product meets the IEC 60825-1: 2014 Standard for Class 1 laser products. Please avoid direct eye contact with it during use.

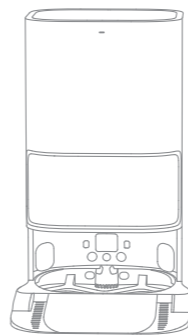
Hereby, Dreame Trading (Tianjin) Co., Ltd. declares that the radio equipment type RLS6LADC-6 is in compliance with Directive 2014/53/EU. The full text of the EU declaration of conformity is available at the following internet address: <https://global.dreame.tech.com>
For detailed e-manual, please go to <https://global.dreame.tech.com/pages/user-manuals-and-faqs>

Product Overview

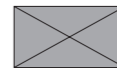
Package Contents



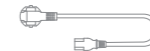
Robot



Base Station



Side Brush



Power Cord



Cleaning Brush

Dust Collection Bag
(replacement)Mop Pad × 2
(pre-installed)

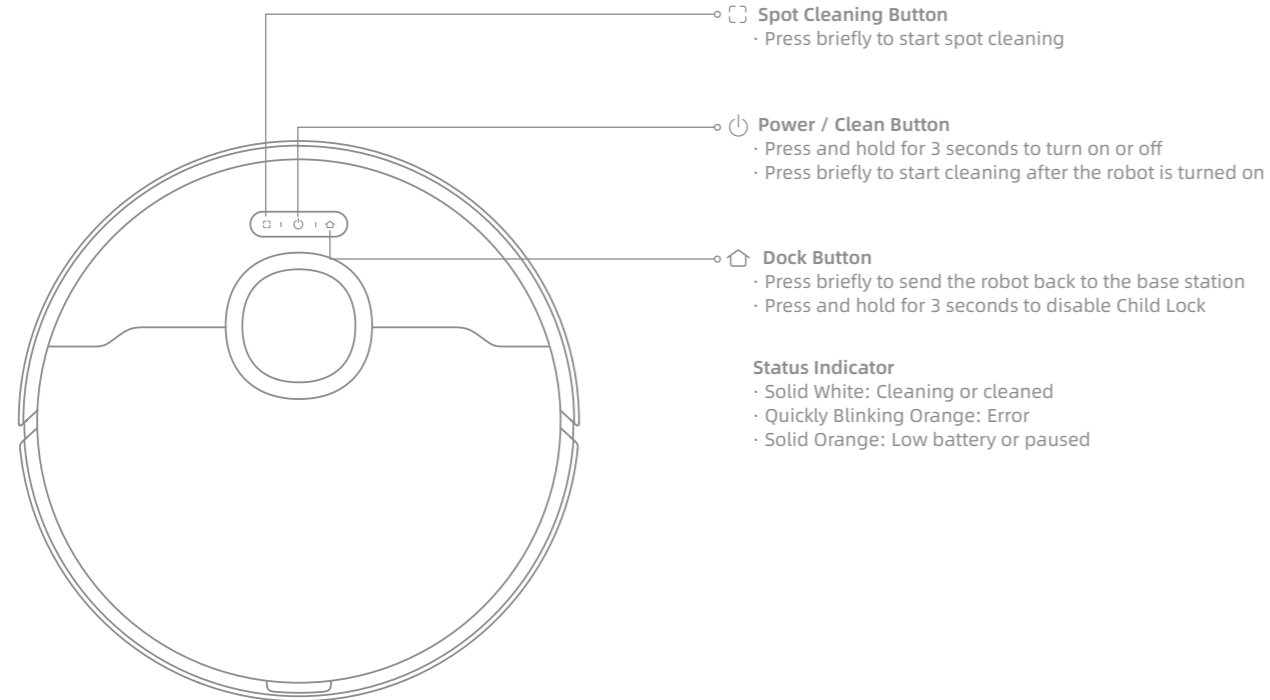
Mop Pad Holder × 2



User Manual

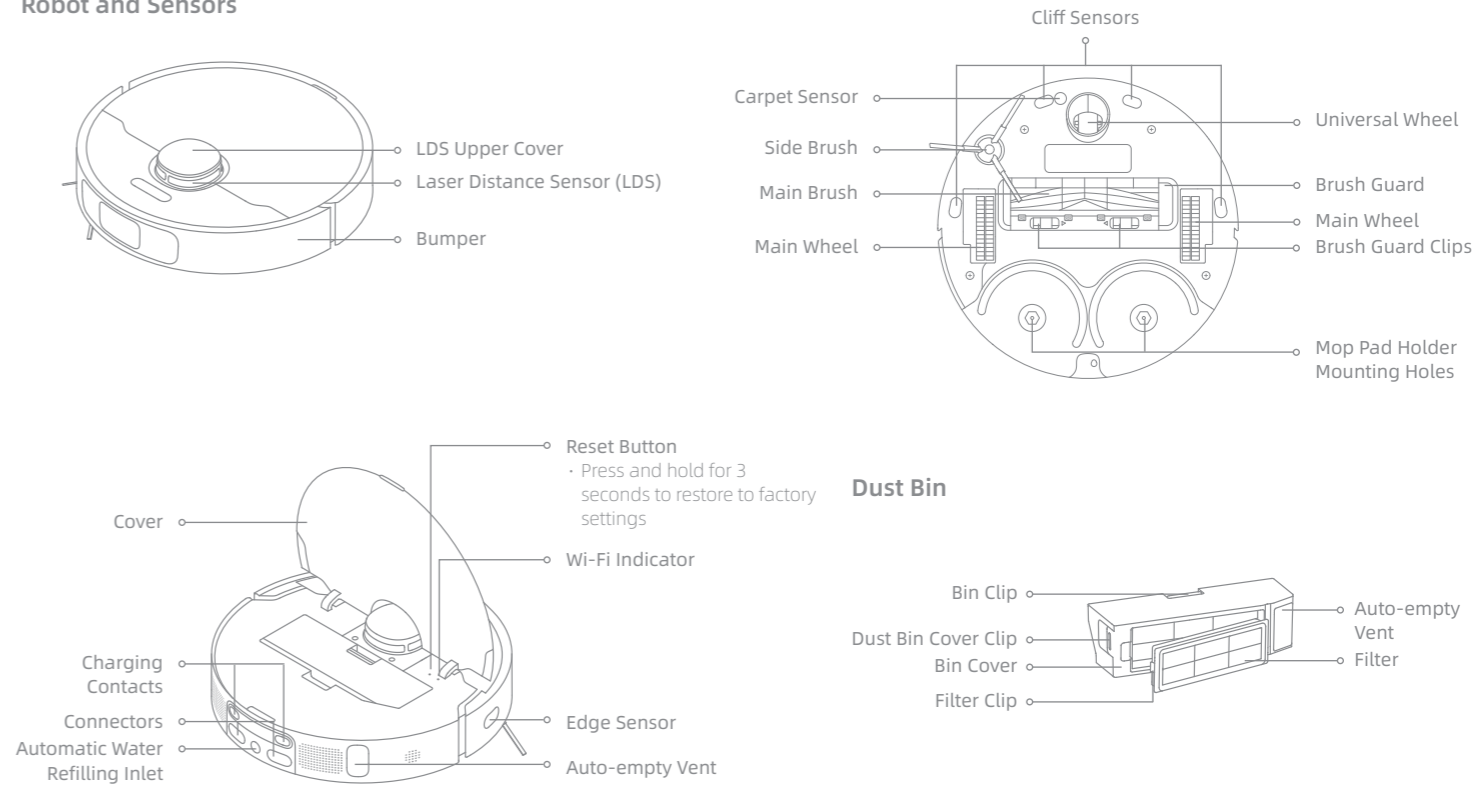
Other Accessories

Robot

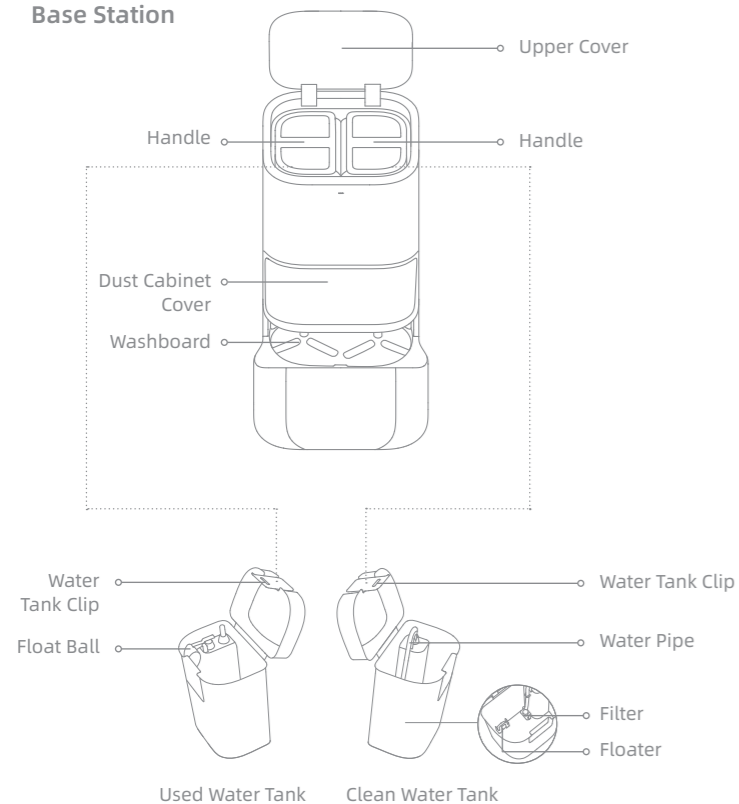


Note: Press any button to pause while the robot is cleaning or returning to charge.

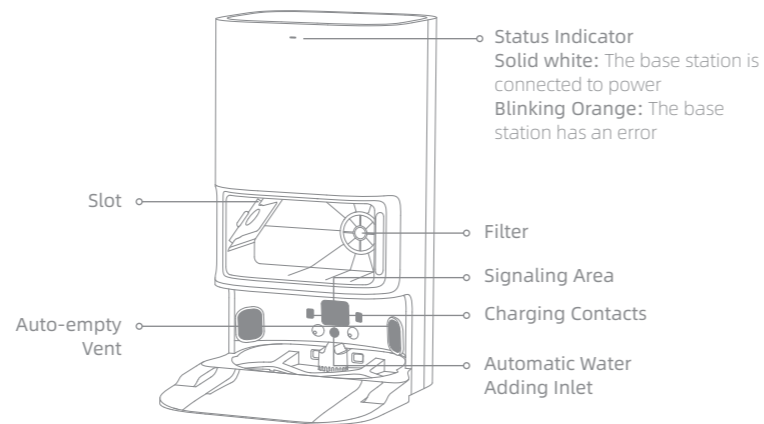
Robot and Sensors



Base Station

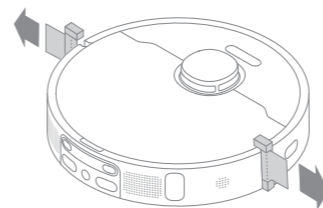


Base Station

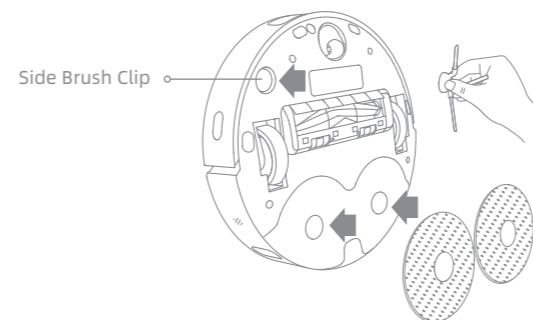


Before Use

1. Remove the protective strips



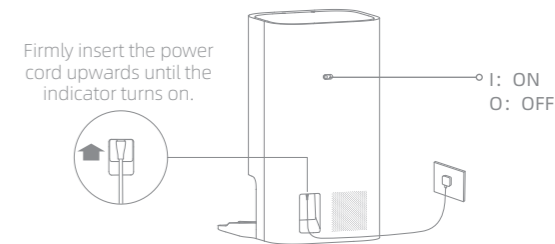
2. Install the Side Brush and the Mop Assembly



Note: Install the side brush until it clicks into place.

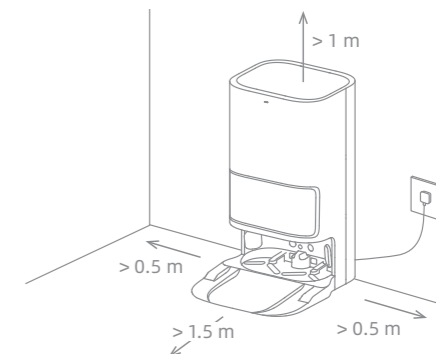
3. Connect to an Electrical Outlet

Place the base station in a location that is as open as possible with a good Wi-Fi signal. Insert the power cord into the base station and plug it into the socket.




4. Place the Base Station

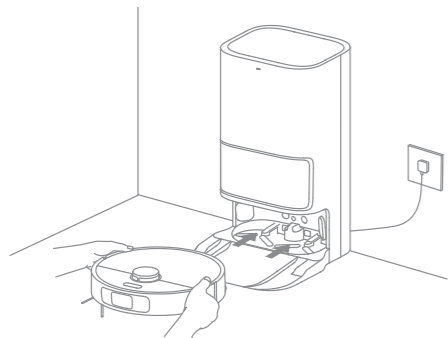
Remove any objects that are closer than 1.5 m from the front, 1 m from the top, and 0.5 m from either side of the base station.

**Note:**

- Make sure that no objects might block the signaling area.
- To prevent water stains from wetting wood floors or carpets, placing the base station on tile floors or marble floors is recommended.

5. Place the Robot

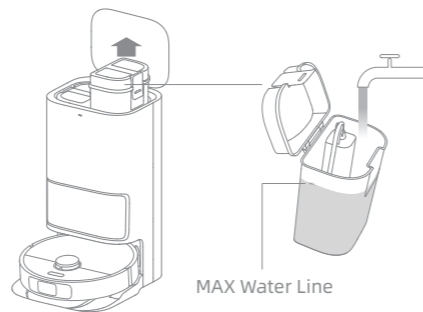
Press and hold the  button on the robot for 3 seconds to turn it on. Place the robot onto the base station with the mop assembly facing toward the washboard. Then you will hear a voice notification when the robot successfully connects to the base station and starts charging. After the robot is fully charged, the status indicators on the robot and the base station will remain lit for 10 minutes and will then dim.



Note: It is recommended to fully charge the robot before its first use. When the robot cannot be turned on after the battery is depleted, manually connect the robot with the station to charge it.

6. Add Water to the Clean Water Tank

Take out the clean water tank from the base station, and fill it with clean water up to the max water line. Then install it back into the base station.



Note:

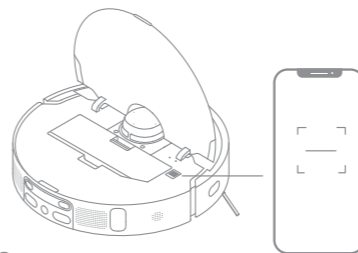
- Do not add hot water to the water tank, as this may cause the tank to become deformed.
- Do not add any liquid other than the officially-approved cleaner to help prevent base station malfunction.

Connecting with Dreamehome App


This product works with the Dreamehome App, which can be used to control your device.

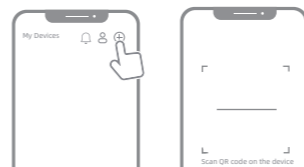
1. Download the Dreamehome App

Scan the QR code on the robot, or search "Dreamehome" in the app store to download and install the app.



2. Add Device



Open the Dreamehome App, tap " " in the upper right corner, and scan the QR code above again to add "DreameBot L10 Ultra". Please follow the prompts to finish the Wi-Fi connection.

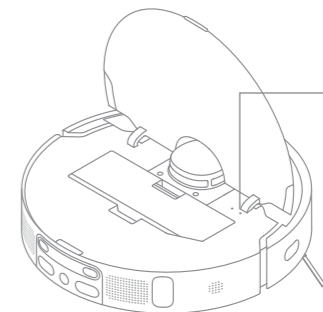


Note:

- Only 2.4GHz Wi-Fi is supported.
- Due to upgrades in the app software, the actual operations may be different from the statements in this manual. Please follow the instructions based on the current app version.

3. Reset Wi-Fi

Simultaneously press and hold the buttons  and  until you hear a voice prompt saying, "Waiting for the network configuration." Once the Wi-Fi indicator is blinking slowly, the Wi-Fi has been successfully reset.



- Wi-Fi Indicator
- **Blinking slowly:** To be connected
 - **Blinking quickly:** Connecting
 - **On:** Connected



Note: If your robot cannot connect to the app successfully, reset the Wi-Fi and add the device again.

How to Use

Fast Mapping

After configuring the network for the first time, follow the instructions on the app to quickly create a map, and the robot will start mapping without cleaning. The mapping process will be completed when the robot returns to the station, and the map will be saved automatically.

Turn On/Off

Press and hold the  button for 3 seconds to turn on the robot. The power indicator should be illuminated. Place the robot onto the base, the robot should turn on automatically and begin charging. To turn off the robot, move the robot away from the base and press and hold the  button for 3 seconds.

Pause/Sleep

When the robot is running, press any button to pause it. If the robot is paused for more than 10 minutes, it automatically enters sleep mode. The power indicator and charging indicator will turn off. Press any button on the robot or base, or use the app to wake up the robot.

Note:

- The robot will turn off automatically if it is left in the sleep mode for more than 12 hours.
- If the robot is paused and placed onto the base station, the current cleaning process will end.


Do Not Disturb (DND) Mode

When the robot is set to the Do Not Disturb (DND) mode, the robot will be prevented from resuming cleaning and the power indicator goes out. The DND mode is disabled by default at the factory. You can use the app to enable the DND mode or modify the DND period. The DND period is 22:00-8:00 by default.



Note:

- The scheduled cleaning tasks will be performed on time during the DND period.
- The robot will resume cleanup where it left off after the DND period expires.

Spot Cleaning

When the robot is on standby, press briefly the button  to enable the spot cleaning mode. In this mode, the robot cleans a square-shaped area of 1.5 × 1.5 meters around it and returns to its starting point once the spot cleaning is completed.

Robot Restarting


If the robot stops responding or cannot be turned off, press and hold the button  for 10 seconds to forcefully turn it off. Then, press and hold the button  for 3 seconds to turn the robot on.

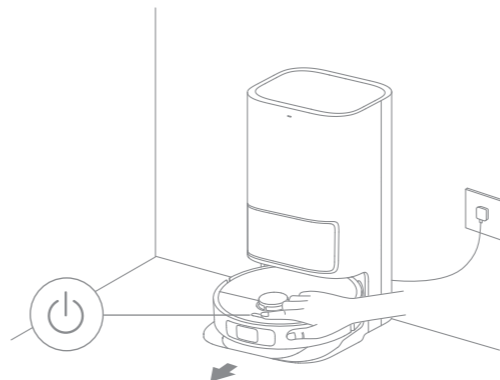
How to Use

Sweeping & Mopping

Note: When using the mop assembly for the first time, the robot performs the sweeping and mopping task by default.

1. Start sweeping and mopping

Press the button  on the robot, or use the app to make the robot start from the base station. Then the robot will plan the optimal cleaning route and perform the cleaning task based on the created map.

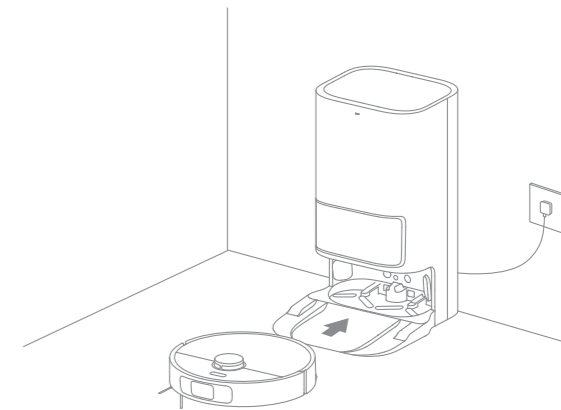


Note:

- The mop pads will be cleaned before the robot starts mopping. Please wait with patience.
- Do not move the base station, the clean water tank, the used water tank, or the washboard during its working.

2. Return to clean mop pads midway

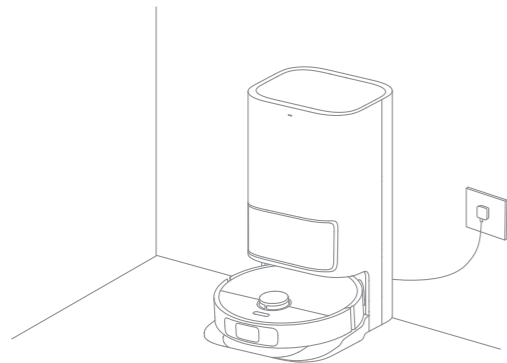
During mopping, the robot will automatically return to the base station to wash mop pads based on the mop pad cleaning frequency specified on the app. Then the base station will automatically refill the water tank of the robot, and the robot will resume the cleanup after water refilling.



Note: If the robot returns to the base station to clean mop pads midway, the base station will not automatically empty the dust bin.

3. Clean and dry mop pads after dust emptying

After the robot finishes a cleaning task and returns to the base station to charge, the base station will automatically start emptying the dust bin, and then clean and dry the mop pads.



Note:

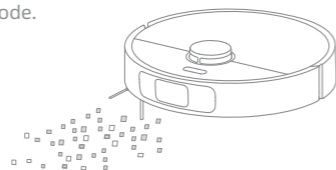
- When the robot returns midway to the base station to clean mop pads, the base station will not automatically empty the dust bin.
- If the auto-empty function is turned off in the app, the base station will not automatically empty the dust bin.
- The base station will empty the dust bin according to the frequency set in the app.

4. Clean the used water tank


After the robot has completed the task, please clean the used water tank to avoid any odor.

Sweeping

1. To use only the sweeping function, select "Sweeping" on the app, or remove the mop assembly from the robot and the robot will automatically switch to the sweeping mode.



Note: If the mop assembly is not removed from the robot, you can select the sweeping mode on the app, and the robot will automatically lift the mop assembly before sweeping.

2. Make sure that the base station is connected to power and the robot is connected with the base station. Press the button  on the robot, or use the app to send the robot to clean all areas from the base station.

Note: To ensure the robot can easily return to the base station after cleaning, it is recommended to make the robot start from the base station and avoid moving the base station during cleaning.

Routine Maintenance

Parts

To keep the robot in good condition, it is recommended to refer to the following table for routine maintenance.

| Part | Maintenance Frequency | Replacement Period |
|----------------------------------|-----------------------|----------------------|
| Used water tank | After each use | / |
| Clean water tank | Once every 2 weeks | Every 6 to 12 months |
| Main Brush | | |
| Dust bin filter | | Every 3 to 6 months |
| Side brush | | |
| Washboard | Once every month | / |
| Base station's signaling area | | |
| Base station's charging contacts | | |
| Base station's auto-empty vent | | |
| Universal wheel | | |
| Edge sensor | | |
| Laser Distance Sensor (LDS) | | |

| Part | Maintenance Frequency | Replacement Period |
|---|-----------------------|---------------------|
| Carpet Sensor | Once every month | / |
| Cliff Sensors | | |
| Charging Contacts on Robot | | |
| Bumper | | |
| Robot's auto-empty vent | | |
| Robot's automatic water refilling inlet | | |
| Bottom of the robot | Clean it as needed | / |
| Dust bin | | |
| Dust collection bag | / | 6-8 weeks |
| Mop pad | / | Every 1 to 3 months |

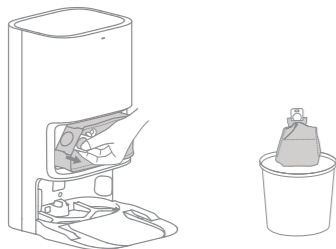
Note: The replacement frequency will depend on your usage of the robot. If an exception occurs due to special circumstances, the parts should be replaced.

Routine Maintenance

Dust Collection Bag

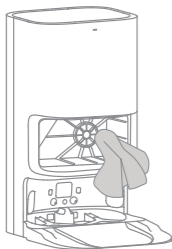
When the dust collection bag needs to be replaced, a notification will appear in the app.

1. Discard the dust collection bag.

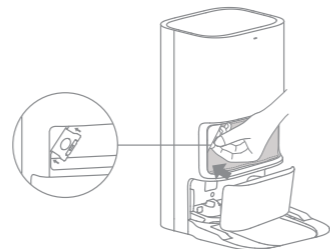


Note: Pulling upwards on the handle will seal the bag to prevent the dust and debris from accidentally falling out.

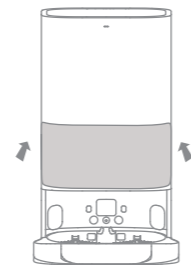
2. Remove the dust and debris from the filter with a dry cloth.



3. Install a new dust collection bag.



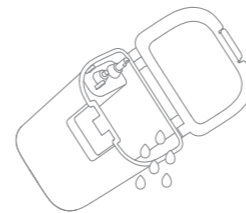
4. Close the cover of the dust cabinet.



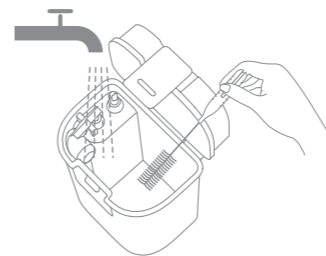
Routine Maintenance

Used Water Tank

1. Remove the used water tank, open its cover and pour out the dirty water.



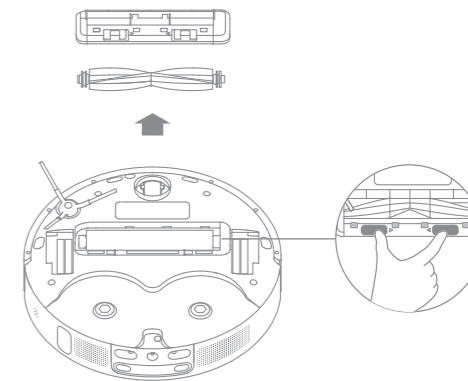
2. Rinse the used water tank with clean water, and use the provided cleaning brush to clean the inner wall of the used water tank.



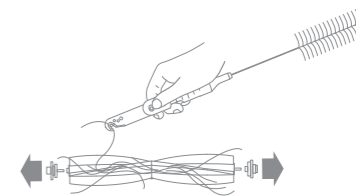
Note: The float ball in the used water tank is a movable part. Do not apply too much force when cleaning it to avoid damaging it.

Main Brush

1. Press the brush guard clips inwards to remove the brush guard and lift the brush out of the robot.



2. Pull out the brush covers as shown in the diagram. Use a proper tool to remove the hair tangled in the brush.



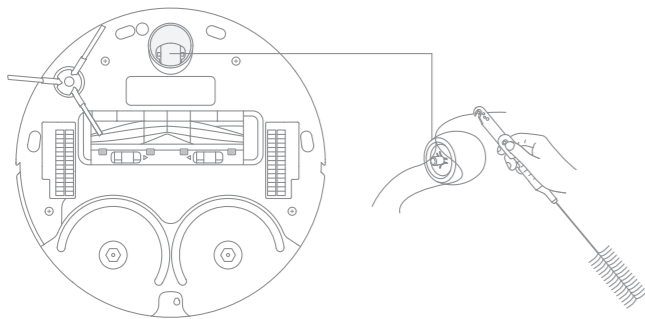
Routine Maintenance

Side Brush

Remove and clean the side brush.



Universal Wheel

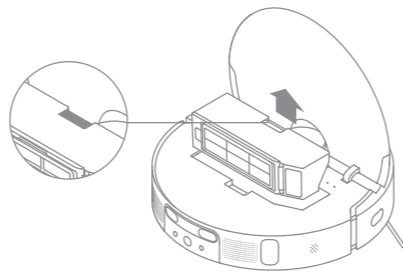


Note:

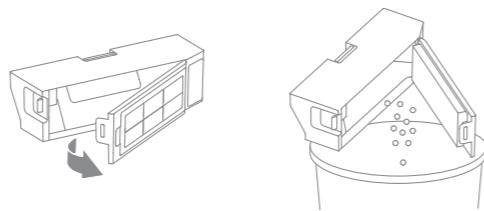
- Use a tool such as a small screwdriver to separate the axle and tire of the universal wheel. Do not use excessive force.
- Rinse the universal wheel under the running water and put it back after drying it completely.

Dust Bin

1. Open the robot cover and press the bin clip to remove the dust bin.



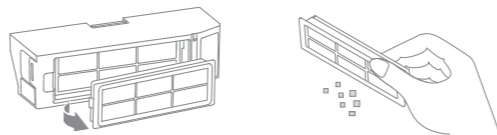
2. Open the bin cover and empty the bin as shown in the diagram.



Routine Maintenance

Filter

1. Remove the filter and tap its basket gently.



Note: Do not attempt to clean the filter with a brush, a finger or sharp objects to prevent damage.

2. Rinse the dust bin and filter with water and dry them completely before reinstalling.



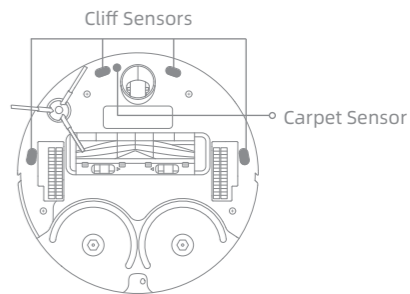
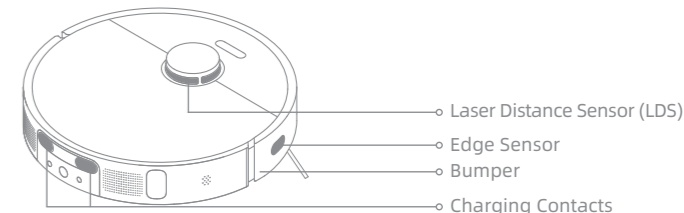
Note:

- Rinse the dust bin and filter with clean water only. Do not use any detergent.
- Use the dust bin and filter only when they are completely dry.

Robot Sensors and Charging Contacts

Wipe sensors and charging contacts of the robot by using a soft, dry cloth:

- The cliff sensors and the carpet sensor on the bottom of the robot
- Charging contacts at the back of the robot
- The edge sensor on the side of the robot
- LDS on the top of the robot
- The bumper on the front of the robot

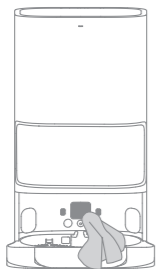


Note: Wet cloth can damage sensitive elements within the robot and the base station. Please use dry cloth for cleaning.

Routine Maintenance

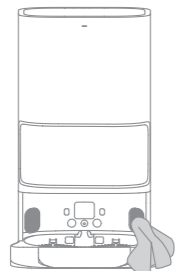
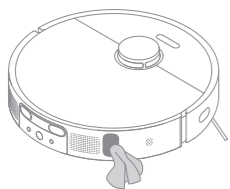
Charging Contacts

Clean the charging contacts and the signaling area of the base station with a soft, dry cloth.



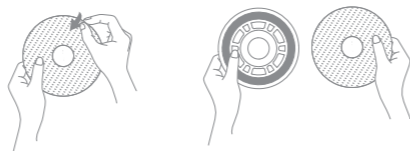
Auto-empty Vents

Clean the auto-empty vents of the robot and the base station with a soft, dry cloth.



Mop Pad

Remove the mop pad from the mop pad holder to replace it.




Battery

The robot contains a high-performance lithium-ion battery pack. Make sure that the battery remains well-charged for daily use to maintain optimal battery performance. If the robot is not used for an extended period of time, turn it off and put it away. To prevent damages from over-discharging, charge the robot at least once every three months.

FAQ

| Problem | Solution |
|--|---|
| The robot will not turn on. | The battery is low. Recharge the robot on the base and try again. The temperature of the battery is too low or too high. It is recommended to operate the appliance at a temperature between 32 °F (0° C) and 104 °F (40° C). |
| The robot will not charge. | The base station is not connected to power. Please make sure both ends of its power cord are correctly plugged in. The contact between the charging contacts on the base station and the robot is poor. Please clean the charging contacts. Check whether there is any foreign object at the connector of the robot and remove the foreign object if any. |
| The robot fails to connect to Wi-Fi. | The Wi-Fi network password is incorrect. Make sure the password used to connect to your Wi-Fi network is correct. The robot does not support a 5 GHz Wi-Fi connection. Make sure the robot is connected to a 2.4 GHz Wi-Fi connection. The Wi-Fi signal is weak. Make sure the robot is in an area with good Wi-Fi coverage. The robot may not be ready to be configured. Please exit and re-enter the app, and then try again as instructed. |
| The robot cannot find and return to the base station. | The base station is disconnected from power or moved when the robot is not on it. There are too many obstructions around the base station. Place the base station in a more open area. Moving the robot may cause it to re-position itself, and it will recreate a map if re-positioning fails. If the robot is too far from the base station, it might not be able to automatically return on its own, in which case you will need to manually place the robot onto the base station. Wipe the signaling area on the base station to remove dust or debris. |
| The robot gets stuck in front of the base station and cannot return to it. | Clear any obstruction within 0.5 m on the left and right sides or within 1.5 m in front of the base station to prevent the robot from being blocked. The route for returning to charge is blocked, e.g. the door is closed. The robot may slip if the floor in front of the base station is overly wet. If so, clean the excess water before trying again. It is recommended to move the base station to a different place and try again. |

| Problem | Solution |
|---|--|
| The robot will not turn off. | The robot cannot be turned off when it is charging. It is recommended to move the robot from the base station, and then press and hold the power button for three seconds to turn it off. If the robot cannot be turned off by performing step 1, press and hold the  button for 10 seconds to forcibly turn off the robot. If the problem persists, please contact after-sales service. |
| The charging speed is slow. | It takes about 6.5 hours to fully charge the robot when its battery is low. If you operate the robot at temperatures outside of the specified range, the charging speed will automatically slow down to extend the battery life. The charging contacts on both the robot and the base may be dirty. Please wipe them with a dry cloth. |
| The noise increases while the robot is operating. | Check whether the dust bin filter is clogged. If so, clean it or replace it. A hard object may be caught in the main brush or the dust bin. Check and remove any hard object. The main brush or the side brush may become tangled. Check and remove any foreign objects. Switch the suction mode to Standard or Quiet. |
| The robot moves without following the set route. | Objects such as power cords and slippers should be organized before using the robot. Working on wet slippery surfaces causes the main wheel to slip. It is recommended to dry the wet places before using the robot. |
| The robot misses the rooms to be cleaned. | Make sure that the doors of the rooms to be cleaned are open. Check whether there is a threshold higher than 2 cm at the door of the room. The robot cannot climb over high thresholds or steps. The place in front of the room to be cleaned is wet and slippery, causing the robot to slip and work abnormally. It is recommended to dry the floor before using the robot. |

| Problem | Solution |
|--|--|
| The robot will not resume cleaning after charging. | Make sure that the robot is not set to the Do Not Disturb (DND) mode, which will prevent it from resuming cleaning. The robot will not resume cleaning after you manually return the robot to the base station to charge, which includes manually placing the robot on the base station or sending the robot to charge via the app or the robot itself. |
| The station cannot automatically empty the dust bin. | Check whether the dust collection bag in the dust cabinet is full. If the dust collection bag is not full, check whether there is any obstruction at the auto-empty vents of the robot, the base station, or the dust bin. If any, clean the blocked part in time. |
| The water level in the washboard is abnormal. | Check whether the seal on the used water tank is loose or not correctly installed, and manually reset it if so. Gently press down on the used water tank to make sure it is installed correctly. Remove the washboard and check whether the sewage drain is blocked and clean it. Check the cleaner. Do not add any liquid other than the officially-approved cleaner. If the problem persists, please contact the after-sales service team. |

For additional services, please contact us via aftersales@dreame.tech

Website: <https://global.dreametech.com>

Robot

| | |
|----------------------|--------------------------------|
| Model | RLS6LADC-6 |
| Charging Time | Approx. 6.5 hours |
| Rated Voltage | 14.4 V $\overline{\text{---}}$ |
| Rated Power | 75 W |
| Operation Frequency | 2400-2483.5 MHz |
| Maximum Output Power | <20 dBm |

Base Station

| | |
|------------------------------|----------------------------------|
| Model | RCS9-5 |
| Rated Input | 220-240 V~ 50-60 Hz |
| Rated Output | 20 V $\overline{\text{---}}$ 2 A |
| Power (during dust emptying) | 1000 W |
| Power (during cleaning) | 55 W |
| Power (drying and charging) | 78 W |

Under normal use of condition, this equipment should be kept a separation distance of at least 20 cm between the antenna and the body of the user.

WEEE Information



All products bearing this symbol are waste electrical and electronic equipment (WEEE as in directive 2012/19/EU) which should not be mixed with unsorted household waste. Instead, you should protect human health and the environment by handing over your waste equipment to a designated collection point for the recycling of waste electrical and electronic equipment, appointed by the government or local authorities. Correct disposal and recycling will help prevent potential negative consequences to the environment and human health. Please contact the installer or local authorities for more information about the location as well as terms and conditions of such collection points.

Sicherheitsinformationen

Um Stromschläge, Brände oder Verletzungen durch unsachgemäßen Gebrauch des Geräts zu vermeiden, lesen Sie bitte die Bedienungsanleitung vor dem Gebrauch sorgfältig durch und bewahren Sie sie zum späteren Gebrauch auf.

Nutzungseinschränkungen

- Um einen sicheren Betrieb zu gewährleisten und Risiken zu vermeiden, darf dieses Produkt nicht von Kindern unter 8 Jahren, von Personen mit körperlichen, sensorischen oder geistigen Einschränkungen oder von Personen mit mangelnden Kenntnissen ohne Aufsicht eines Elternteils oder Vormunds verwendet werden. Kinder dürfen die Reinigung und Wartung nicht ohne Aufsicht durchführen.
- Das Gerät darf nur mit dem zum Gerät mitgelieferten Netzteil verwendet werden.
- Dieses Produkt enthält Akkus, die nur von qualifizierten Personen ausgewechselt werden dürfen.
- Der zu reinigende Bereich muss freigeräumt werden. Kinder dürfen nicht mit diesem Produkt spielen. Sorgen Sie dafür, dass Kinder und Haustiere während des Betriebs des Roboters einen sicheren Abstand zum Gerät halten.
- Installieren, laden oder verwenden Sie das Gerät nicht in den Badezimmern oder in der Nähe der Pools.
- Dieses Produkt ist nur für die Bodenreinigung in einer häuslichen Umgebung geeignet. Benutzen Sie es nicht im Freien, auf anderen Oberflächen als dem Boden oder in einer kommerziellen oder industriellen Umgebung.
- Stellen Sie sicher, dass das Gerät in einer geeigneten Umgebung

Sicherheitsinformationen

Nutzungseinschränkungen

- ordnungsgemäß betrieben wird. Andernfalls dürfen Sie das Gerät nicht verwenden.
- Wenn das Stromkabel beschädigt ist, schalten Sie das Gerät sofort aus und wenden Sie sich an den Kundendienst.
- Verwenden Sie den Roboter nicht in einem Bereich, der sich über dem Bodenniveau befindet und der nicht durch eine Schutzbarriere begrenzt wird.
- Stellen Sie den Roboter nicht auf den Kopf. Verwenden Sie die LDS-Abdeckung, die Roboterabdeckung oder den Bumper nicht als Griff für den Roboter.
- Benutzen Sie den Roboter nicht in Umgebungen, in denen die Temperaturen über 40°C oder unter 0°C liegen, und auch nicht auf Böden mit Flüssigkeiten oder klebrigen Substanzen.
- Entfernen Sie lose Gegenstände vom Boden und entfernen Sie Kabel oder Netzkabel am Reinigungsweg, bevor Sie das Gerät in Betrieb nehmen, um Schäden oder Schäden beim Anziehen zu verhindern.
- Entfernen Sie zerbrechliche oder kleine Gegenstände vom Boden, um zu verhindern, dass der Roboter sie anstößt und beschädigt.
- Halten Sie Haare, Finger und andere Körperteile von der Saugöffnung des Roboters fern.
- Halten Sie das Reinigungswerkzeug außerhalb der Reichweite von Kindern.
- Betreiben Sie das Gerät nicht in einem Raum, in dem ein Säugling oder ein Kind schläft.

Sicherheitsinformationen

Nutzungseinschränkungen

- Kinder, Haustiere oder Gegenstände dürfen weder auf dem stillstehenden noch dem sich bewegenden Roboter positioniert werden.
- Außer Reichweite von Kindern bewahren Sie den Roboter auf.
- Verwenden Sie nur das offiziell zugelassene Reinigungsmittel. Nicht jede Flüssigkeit wie Alkohol oder Desinfektionsmittel hinzufügen.
- Benutzen Sie den Roboter nicht zum Aufwischen oder Aufsaugen brennender Substanzen. Verwenden Sie den Roboter nicht zum Aufsaugen von entflammaren oder brennbaren Flüssigkeiten, ätzenden Gasen oder unverdünnten Säuren oder Lösungsmitteln.
- Saugen Sie keine harten oder scharfen Gegenstände ein. Verwenden Sie das Gerät nicht zum Aufnehmen von Gegenständen wie Steinen, großen Papierstücken oder anderen Dingen, die das Gerät verstopfen könnten.
- Bitte schalten Sie das Gerät vor der Reinigung und Wartung aus und ziehen Sie den Netzstecker.
- Wischen Sie den Roboter oder die Basisstation nicht mit einem feuchten Tuch ab oder spülen Sie sie nicht mit Flüssigkeit aus. Nach der Reinigung waschbarer Teile, trocknen Sie die Teile vollständig, bevor Sie sie wieder einbauen und verwenden.
- Bitte verwenden Sie das Produkt gemäß den Anweisungen im Benutzerhandbuch. Der Benutzer ist für jeglichen Verlust oder Schaden verantwortlich, der aufgrund inkorrektter Verwendung dieses Produkts entsteht.

Sicherheitsinformationen

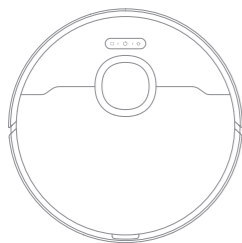
- Akkus und Ladung**
- Keine Fremdbatterie und keine Selbstreinigungsbasis verwenden. Nur mit Versorgungseinheit RCS9-5 verwenden.
 - Versuchen Sie nicht, die Batterie oder die Basisstation selbst zu zerlegen, zu reparieren oder zu modifizieren.
 - Stellen Sie die Basisstation nicht in die Nähe einer Wärmequelle.
 - Verwenden Sie kein feuchtes Tuch oder nasse Hände, um die Ladkontakte der Basisstation abzuwischen oder zu reinigen.
 - Entsorgen Sie alte Akkus sachgemäß. Unbenutzte Akkus sollten in einer geeigneten Recycling-Einrichtung entsorgt werden.
 - Wenn das Stromkabel beschädigt ist, schalten Sie das Gerät sofort aus und wenden Sie sich an den Kundendienst.
 - Stellen Sie sicher, dass der Roboter beim Transport ausgeschaltet ist und möglichst in der Originalverpackung befördert wird.
 - Wenn der Roboter für eine längere Zeit nicht benutzt werden soll, laden Sie ihn voll auf, schalten ihn aus und lagern ihn an einem kühlen und trockenen Ort. Laden Sie den Roboter mindestens je 3 Monate auf, um eine Tiefentladung des Akkus zu vermeiden.
 - Der Lithium-Ionen-Akku enthält umweltgefährdende Stoffe. Bevor der Roboterstaubsauger entsorgt wird, muss zunächst der Akku entfernt werden, anschließend muss in Übereinstimmung mit den lokalen Gesetzen und Vorschriften des Landes oder der Region, in dem er benutzt wurde, eine Entsorgung oder Wiederverwertung stattfinden.

Sicherheitsinformationen

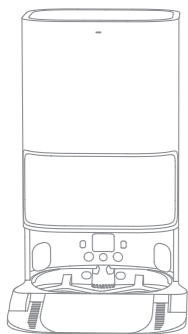
- Akkus und Ladung**
- Es ist besser, den Akku erst aus dem Produkt zu entnehmen, wenn er aufgebraucht ist. Dabei muss sichergestellt werden, dass Ihr Produkt von der Spannungsversorgung getrennt ist.
 - 1) Entfernen Sie die Schraube an der Unterseite und nehmen Sie die Abdeckung ab.
 - 2) Ziehen Sie den Akkuanschluss ab und nehmen Sie anschließend den Akku heraus. Beschädigen Sie den Akku nicht, um Verletzungen vorzubeugen.
 - 3) Geben Sie den Akku an eine Recyclingstelle zurück.
- Lasersicherheitsinformationen**
- Der Lasersensor dieses Produkts entspricht der Norm IEC 60825-1:2014 für Laserprodukte der Klasse 1. Bitte vermeiden Sie während des Gebrauchs direkten Augenkontakt.

Hiermit bestätigt, Dreame Trading (Tianjin) Co., Ltd. dass das Funkgerät des Typs RLS6LADC-6 mit der Verordnung 2014/53/EU in Einklangsteht. Der vollständige Wortlaut der EU-Konformitätserklärung ist unter der folgenden Internetadresse abrufbar: <https://global.dreametech.com>
Ein detailliertes elektronisches Handbuch finden Sie unter <https://global.dreametech.com/pages/user-manuals-and-faqs>

Packungsinhalt



Roboter



Basisstation

Anderes Zubehör



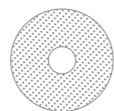
Seitenbürste



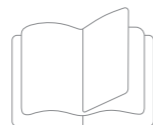
Netzkabel



Reinigungsbürste

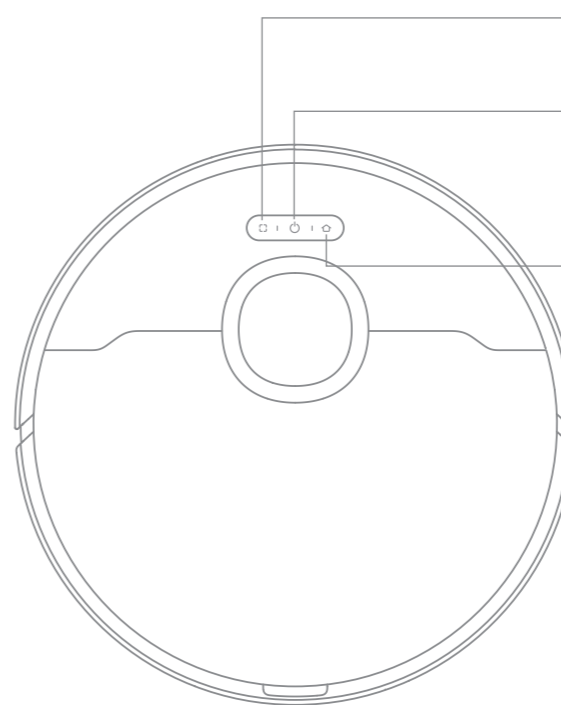
Staubsaammelbeutel
(Ersatz)Wischarmop × 2
(vorinstalliert)




Mopphalter × 2



Benutzerhandbuch

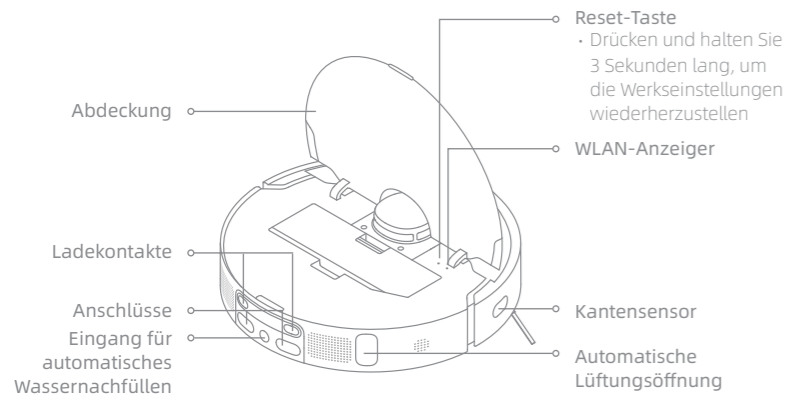
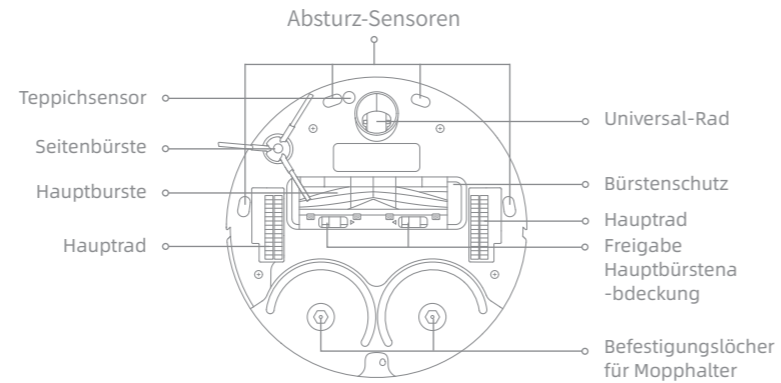
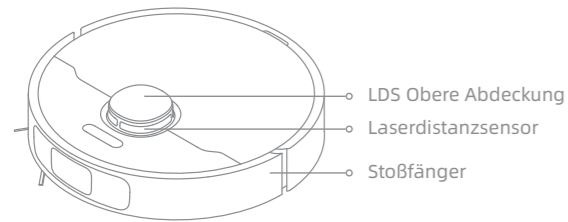
Roboter



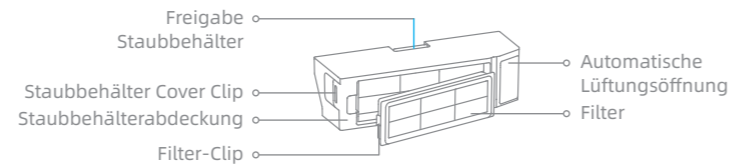
-  **Taste für die Punktreinigung**
 - Kurz drücken, um die Punktreinigung zu starten
 -  **Ein-/Aus- und Reinigungstaste**
 - Halten Sie die Taste 3 Sekunden lang gedrückt, um das Gerät ein- oder auszuschalten
 - Kurz drücken zum Start der Reinigung nach dem Einschalten des Roboters
 -  **Schaltfläche zum Andocken**
 - Drücken Sie kurz, um den Roboter zurück zur Basisstation zu schicken.
 - Halten Sie die Taste 3 Sekunden lang gedrückt, um die Kindersicherung zu deaktivieren.
- Statusanzeige**
- Auf Weiß: Reinigen oder gereinigt
 - Schnell orange blinkt: Fehler
 - Konstant orange: Schwache Batterie oder pausiert

Hinweis: Drücken Sie eine beliebige Taste, um zu pausieren, während der Roboter reinigt oder zum Aufladen zurückkehrt.

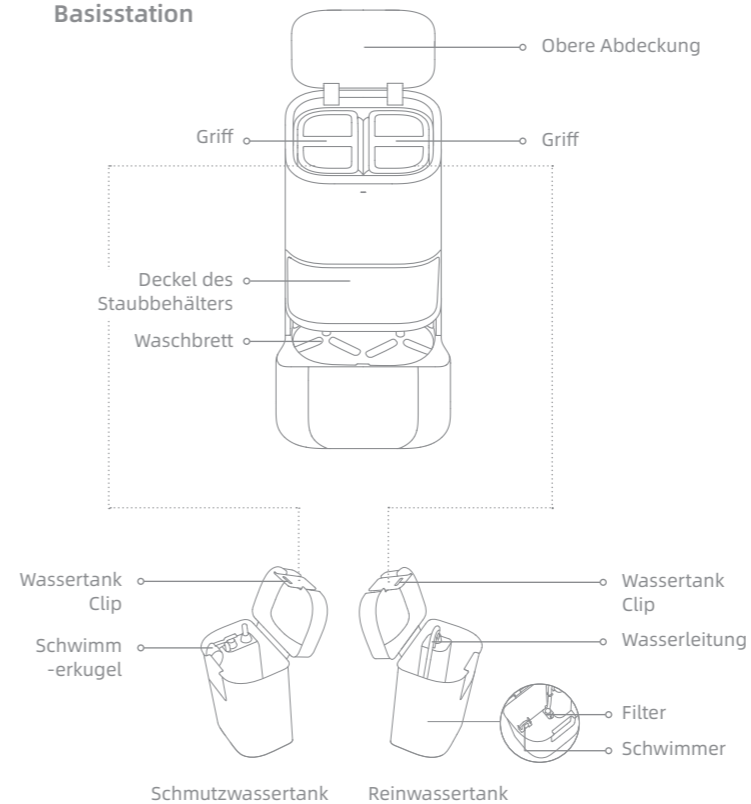
Roboter und Sensoren



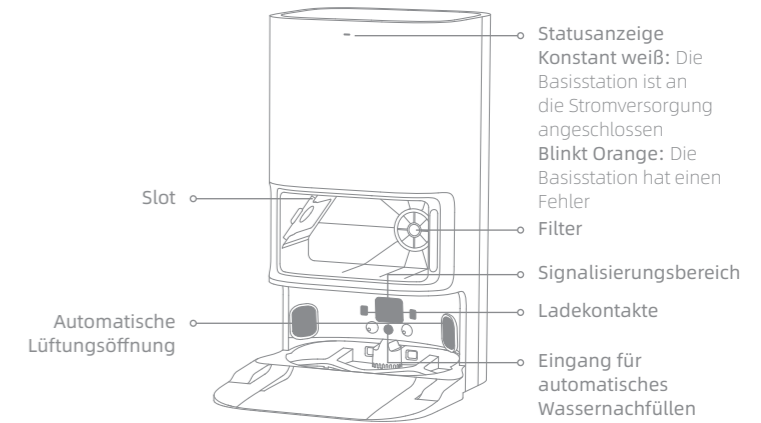
Staubbehälter



Basisstation

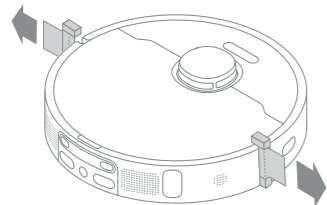


Basisstation

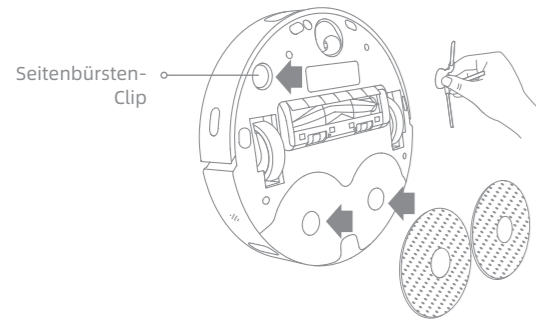


Vor der Verwendung

1. Die Schutzstreifen entfernen



2. Installieren Sie die Seitenbürste und das Wischmoppverbundteil



Hinweis: Installieren Sie die Seitenbürste, bis sie einrastet.

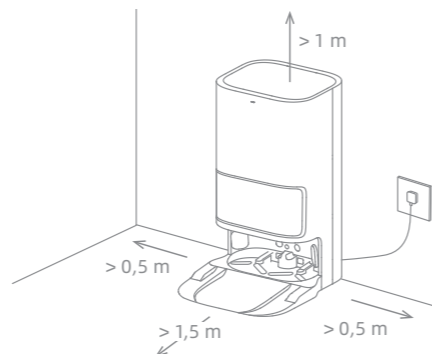
3. An eine Steckdose anschließen

Platzieren Sie die Basisstation an einem möglichst offenen Ort mit einem guten WLAN-Signal. Schließen Sie das Netzkabel an die Basisstation und stecken Sie es in die Steckdose.



4. Platzieren Sie die Basisstation

Entfernen Sie alle Objekte, die sich näher als 1,5 m von der Vorderseite, 1 m von oben und 0,5 m von beiden Seiten der Basisstation befinden.




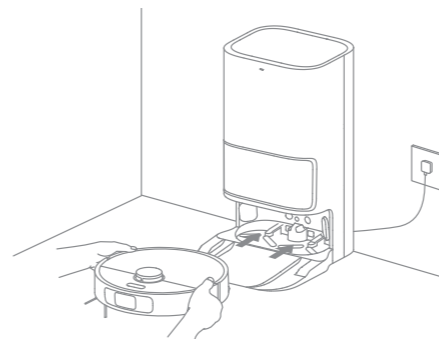
Hinweis:

- Stellen Sie sicher, dass keine Gegenstände den Signalbereich blockieren können.
- Die Basisstation wird auf Fliesenböden oder Marmorböden platziert, um Wasserflecken Holzböden oder Teppiche nicht zu benetzen.

Vor der Verwendung

5. Platzieren Sie den Roboter

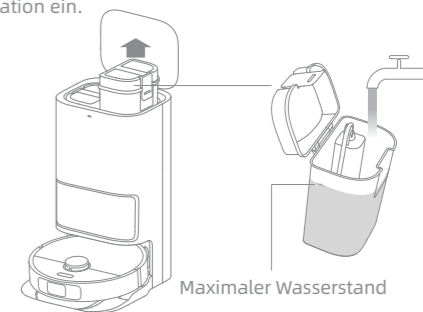
Halten Sie die Taste  am Roboter 3 Sekunden lang gedrückt, um ihn einzuschalten. Platzieren Sie den Roboter mit der Wischvorrichtung in Richtung Waschbrett auf der Basisstation. Dann hören Sie eine Sprachbenachrichtigung, wenn sich der Roboter erfolgreich mit der Basisstation verbindet und mit dem Laden beginnt. Nachdem der Roboter vollständig aufgeladen ist, bleiben die Statusanzeigen am Roboter und an der Basisstation 10 Minuten lang beleuchtet und dimmen anschließend.



Hinweis: Es wird empfohlen, den Roboter vor seiner ersten Verwendung vollständig aufzuladen. Wenn der Roboter bei leerer Batterie nicht eingeschaltet werden kann, verbinden Sie den Roboter manuell mit der Station, um ihn aufzuladen.

6. Wasser in den Reinwassertank einfüllen

Nehmen Sie den Reinwassertank aus der Basisstation und füllen Sie ihn bis zur maximalen Wasserlinie mit sauberem Wasser. Setzen Sie ihn dann wieder in die Basisstation ein.



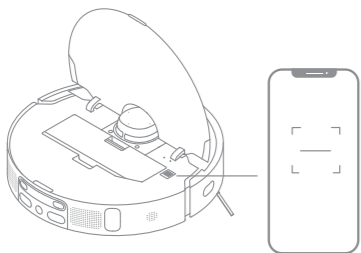
Hinweis:

- Füllen Sie kein heißes Wasser ein, da sonst der Frischwassertank verformt werden kann.
- Fügen Sie keine andere Flüssigkeit als das offiziell zugelassene Reinigungsmittel hinzu, um eine Fehlfunktion der Basisstation zu verhindern.

Dieses Produkt funktioniert mit der Dreamehome App, mit der Sie Ihr Gerät steuern können.

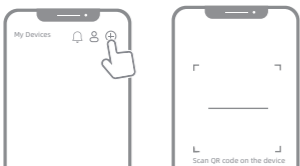
1. Laden Sie die Dreamehome App herunter

Scannen Sie den QR-Code auf dem Roboter oder suchen Sie im App Store nach "Dreamehome" um die App nach Ihren Bedürfnissen herunterzuladen und zu installieren.



2. Fügen Sie das Gerät hinzu

Öffnen Sie das Dreamehome, tippen Sie oben rechts auf "+" in der oberen rechten Ecke und scannen Sie den obigen QR-Code erneut, um "DreameBot L10 Ultra" hinzuzufügen. Bitte folgen Sie den Anweisungen, um die WLAN-Verbindung zu beenden.

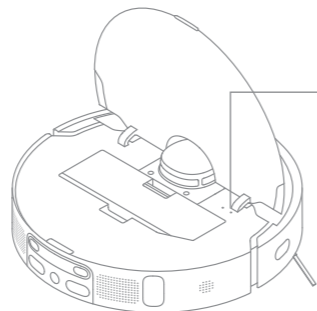


Hinweis:

- Es wird nur WLAN mit 2,4 GHz unterstützt.
- Die App-Software wird aktualisiert, die tatsächliche Bedienung kann sich von den Angaben in diesem Handbuch abweichen. Bitte befolgen Sie die Anweisungen basierend auf der aktuellen App-Version.

3. WLAN zurücksetzen

Gleichzeitig drücken und halten Sie die und Taste bis Sie eine Sprachmeldung hören „Warten auf Netzwerkkonfiguration“. Sobald die WLAN-Anzeige langsam blinkt, wurde das WLAN erfolgreich zurückgesetzt.



- WLAN-Anzeiger**
- **Langsam blinkend:** Wartet auf Verbindung
 - **Schnell blinkend:** Verbindung wird hergestellt
 - **Ein:** Verbunden

Hinweis: Wenn Ihr Telefon keine erfolgreiche Verbindung mit dem Roboter herstellen kann, setzen Sie das WLAN zurück und fügen Sie das Gerät erneut hinzu.

Schnelle Kartenerstellung

Nachdem Sie das Netzwerk zum ersten Mal konfiguriert haben, folgen Sie den Anweisungen in der App, um schnell eine Karte zu erstellen, wobei der Roboter die Kartierung ohne Reinigung startet. Die Kartierung wird abgeschlossen, wenn der Roboter zur Station zurückkehrt, und die Karte wird automatisch gespeichert.

Einschalten/Ausschalten

Halten Sie die Taste 3 Sekunden lang gedrückt, um den Roboter einzuschalten, und die Betriebsanzeige leuchtet dauerhaft. Stellen Sie den Roboter auf die Basisstation, und der Roboter schaltet sich automatisch ein und beginnt mit dem Aufladen. Um den Roboter auszuschalten, nehmen Sie ihn von der Basisstation, und halten Sie die Taste 3 Sekunden lang gedrückt.

Pause / Schlaf

Wenn der Roboter läuft, drücken Sie eine beliebige Taste, um ihn zu pausieren.

Wenn der Roboter länger als 10 Minuten pausiert, wechselt er automatisch in den Schlafmodus und die Betriebsanzeige und die Ladeanzeige hören auf zu leuchten. Drücken Sie eine beliebige Taste am Roboter oder an der Basis, oder tippen Sie auf die App, um den Roboter aufzuwecken.

Hinweis:

- Wenn das Gerät länger als 12 Stunden im Ruhemodus ist, schaltet es sich automatisch aus.
- Wird der Roboter pausiert und auf die Basisstation gestellt, endet die aktuelle Reinigungsaufgabe.

Nicht stören (DND) Modus

Wenn der Roboter auf den DND-Modus (Do Not Disturb) eingestellt ist, führt der Roboter die Reinigungsaufgabe nicht mehr durch und die Betriebsanzeige erlischt. Der DND-Modus ist werkseitig standardmäßig deaktiviert. Sie können die App verwenden, um den DND-Modus zu aktivieren oder den DND-Zeitraum zu ändern. Der DND-Zeitraum ist standardmäßig 22:00-8:00.

Hinweis:

- Die geplanten Reinigungsaufgaben werden während des DND-Zeitraums pünktlich durchgeführt.
- Der Roboter wird die Reinigung fortsetzen, wo er nach Ablauf der DND-Periode aufgehört hat.

Punktreinigung

Wenn der Roboter in Bereitschaft ist, drücken Sie kurz die Taste , um den Spot-Reinigungsmodus zu aktivieren. In diesem Modus reinigt der Roboter einen quadratischen Bereich von 1,5 x 1,5 Metern um ihn herum und kehrt zu seinem Ausgangspunkt zurück, sobald die Reinigung bestimmter Bereiche abgeschlossen ist.


Roboter neu starten

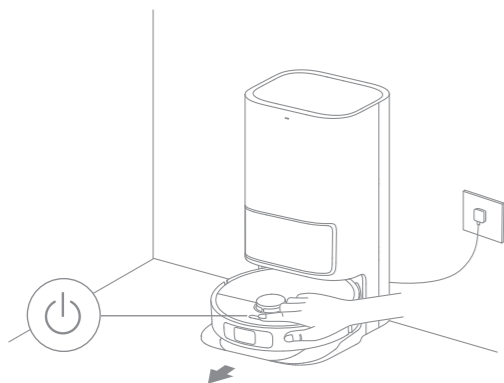
Wenn der Roboter nicht mehr reagiert oder nicht ausgeschaltet werden kann, halten Sie die Taste 10 Sekunden lang gedrückt, um sie gewaltsam auszuschalten. Halten Sie dann die Taste 3 Sekunden lang gedrückt, um den Roboter einzuschalten.

Fegen & Wischen

Hinweis: Bei der ersten Verwendung des Wischmoppverbundteils führt der Roboter standardmäßig die Wisch- und Wischaufgabe aus.

1. Starten Sie das Fegen und Wischen

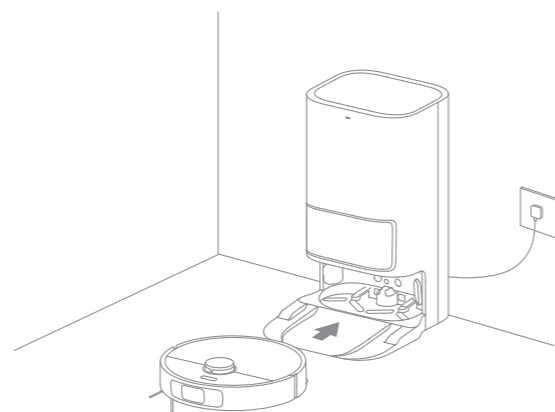
Drücken Sie die Taste  am Roboter oder verwenden Sie die App, um den Roboter von der Basisstation starten zu lassen. Dann plant der Roboter die optimale Reinigungsroute und führt die Reinigungsaufgabe basierend der erstellten Karte aus.

**Hinweis:**

- Der Wischmopp wird gereinigt, bevor der Roboter mit dem Wischen beginnt, bitte warten Sie mit Geduld.
- Bewegen Sie die Basisstation, den Reinwassertank, den Schmutzwassertank oder das Waschbrett während der Reinigung nicht.

2. Rückkehr zur Reinigung des Wischmopps auf halbem Weg

Während des Wischens kehrt der Roboter automatisch zur Basisstation zurück, um den Wischmopp basierend auf der in der App angegebenen Wischmopp-Reinigungsfrequenz zu waschen. Dann füllt die Basisstation automatisch den Wassertank des Roboters nach und der Roboter setzt die Reinigung nach dem Nachfüllen des Wassers fort.

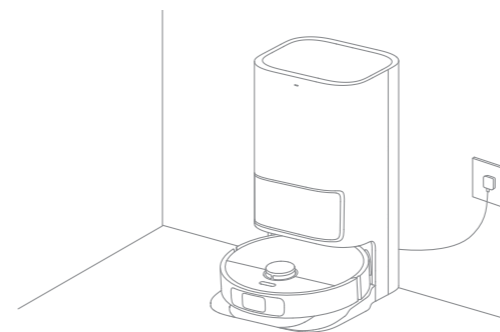


Hinweis: Wenn der Roboter auf halbem Weg zum Zweck der Reinigung des Wischmopps zur Basisstation zurückkehrt, wird der Staubbehälter nicht automatisch von der Basisstation entleert.

Gebrauchsanleitung

3. Reinigen und trocknen Wischmopps nach Entleerung des Staubbehälters

Nachdem der Roboter eine Reinigungsaufgabe beendet hat und zum Aufladen zur Basisstation zurückkehrt, beginnt die Basisstation automatisch mit der Entleerung des Staubbehälters, wobei der Wischmopp gereinigt und getrocknet.

**Hinweis:**

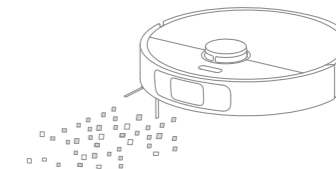
- Wenn der Roboter auf halbem Weg zum Zweck der Reinigung des Wischmopps zur Basisstation zurückkehrt, entleert die Basisstation den Staubbehälter nicht automatisch.
- Wenn das automatische Entleeren in der App ausgeschaltet ist, leert die Basisstation den Staubbehälter nicht automatisch.
- Die Basisstation entleert den Staubbehälter entsprechend der in der App eingestellten Frequenz.

4. Reinigen Sie den Schmutzwassertank


Nachdem der Roboter die Aufgabe erledigt hat, reinigen Sie bitte Schmutzwassertank, um Gerüche zu entfernen.

Fegen

1. Um nur die Fegen-Funktion zu verwenden, wählen Sie in der App "Fegen" oder trennen Sie das Wischmoppverbundteil vom Roboter und der Roboter wechselt automatisch in den Fegen-Modus.



Hinweis: Wenn das Wischmoppverbundteil nicht vom Roboter getrennt wird, können Sie den Wischmodus in der App auswählen, und der Roboter hebt das Wischmoppverbundteil automatisch vor dem Fegen an.

2. Stellen Sie sicher, dass die Basisstation mit Strom und der Roboter mit der Basisstation verbunden ist. Drücken Sie die Taste  auf dem Roboter, oder verwenden Sie die App, damit der Roboter alle Bereiche von der Basisstation reinigt.

Hinweis: Um sicherzustellen, dass der Roboter nach der Reinigung problemlos zur Basisstation zurückkehren kann, wird empfohlen, den Roboter von der Basisstation starten zu lassen und die Basisstation während der Reinigung nicht zu bewegen.

Teile

Es wird empfohlen, sich für die routinemäßige Wartung auf die folgende Tabelle zu beziehen, um den Roboter in gutem Zustand zu halten.

| Teil | Häufigkeit der Wartung | Häufigkeit des Austausches | |
|---|------------------------|----------------------------|---|
| Schmutzwassertank | Nach jedem Gebrauch | / | |
| Reinwassertank | Einmal alle 2 Wochen | | |
| Hauptbürste | | Alle 6 bis 12 Monate | |
| Staubbehälterfilter | | Alle 3 bis 6 Monate | |
| Seitenbürste | | Einmal im Monat | / |
| Waschbrett | | | |
| Signalbereich der Basisstation | | | |
| Ladekontakte der Basisstation | | | |
| Die automatische Lüftungsöffnung der Basisstation | | | |
| Universal-Rad | | | |
| Kantensensor | | | |
| Laserdistanzsensor | | | |

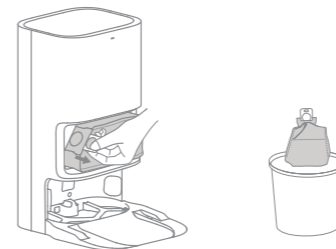
| Teil | Häufigkeit der Wartung | Häufigkeit des Austausches |
|--|------------------------|----------------------------|
| Teppichsensor | Einmal im Monat | / |
| Absturz-Sensoren | | |
| Ladekontakte am Roboter | | |
| Stoßfänger | | |
| Automatische Lüftungsöffnung des Roboters | | |
| Eingang für automatisches Wassernachfüllen | | |
| Unterseite des Roboters | | |
| Staubbehälter | Nach Bedarf reinigen | 6-8 Wochen |
| Staubsaugbeutel | / | |
| Wischer | / | |

Hinweis: Die Häufigkeit des Austauschs hängt von der Nutzung des Roboters ab. Wenn aufgrund besonderer Umstände eine Störung auftritt, sollten die Teile ausgetauscht werden.

Staubsaugbeutel

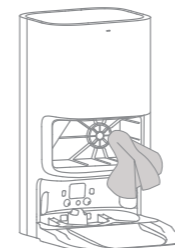
Wenn der Staubsaugbeutel ersetzt werden muss, wird eine Benachrichtigung in der App angezeigt.

1. Entsorgen Sie den Staubsaugbeutel.

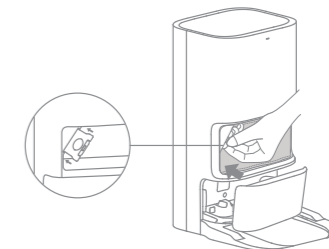


Hinweis: Wenn Sie am Griff nach oben ziehen, wird der Beutel versiegelt, um das Herausfallen des Staubs und des Schmutzes zu verhindern.

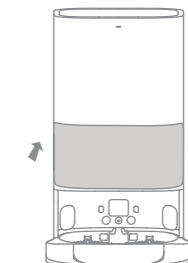
2. Entfernen Sie den Staub und Schmutz vom Filter mit einem trockenen Tuch.



3. Installieren Sie einen neuen Staubsaugbeutel.



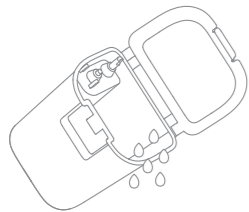
4. Schließen Sie den Deckel des Staubbehälters.



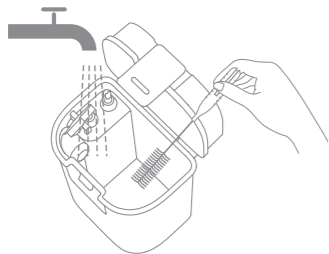
Regelmäßige Wartung

Schmutzwassertank

1. Entfernen Sie den Schmutzwassertank, öffnen Sie den Deckel und gießen Sie das Schmutzwasser aus.



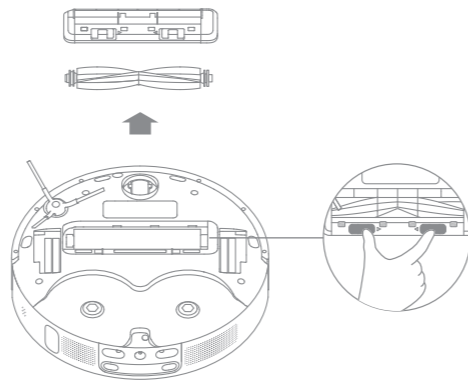
2. Spülen Sie den Schmutzwassertank mit sauberem Wasser und verwenden Sie die mitgelieferte Reinigungsbürste, um die Innenwand des Schmutzwassertanks zu reinigen.



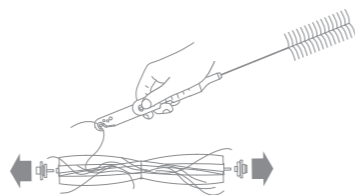
Hinweis: Die Schwimmerkugel im Schmutzwassertank ist ein bewegliches Teil. Wenden Sie beim Reinigen nicht zu viel Kraft an, um eine Beschädigung zu vermeiden.

Hauptbürste

1. Drücken Sie den Bürstenschutzclip nach innen, um den Bürstenschutz zu entfernen und die Bürste aus dem Roboter zu heben.



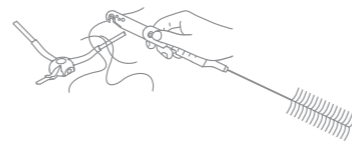
2. Ziehen Sie die Bürstenabdeckungen wie in der Abbildung gezeigt heraus. Verwenden Sie ein geeignetes Werkzeug, um die in der Bürste verhedderten Haare zu entfernen.



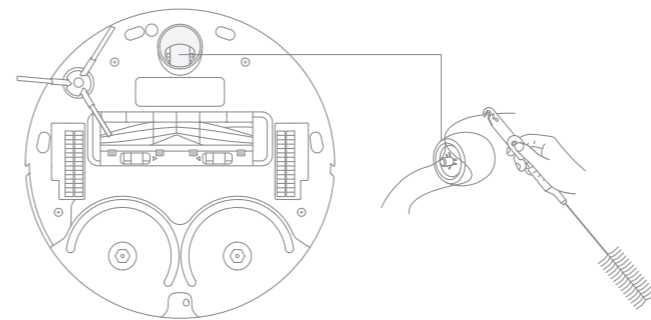
Regelmäßige Wartung

Seitenbürste

Entfernen und reinigen Sie die Seitenbürste.



Universal-Rad

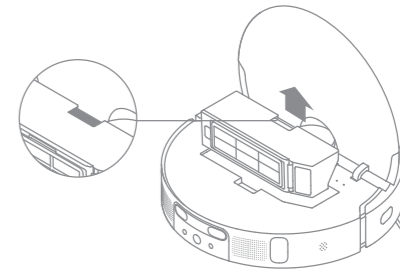


Hinweis:

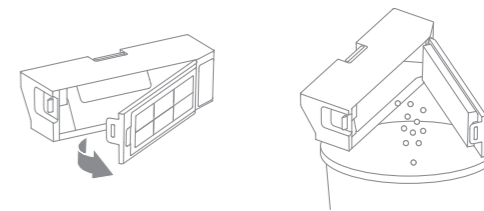
- Verwenden Sie ein Werkzeug, z. B. einen kleinen Schraubendreher, um die Achse und den Reifen des Universalrads zu trennen. Wenden Sie keine übermäßige Kraft an.
- Spülen Sie das Universalrad unter fließendem Wasser ab und legen Sie es nach vollständiger Trocknung wieder ein.

Staubbehälter

1. Öffnen Sie die Roboterabdeckung und drücken Sie auf den Staubbehälterklipp, um den Staubbehälter zu entfernen.

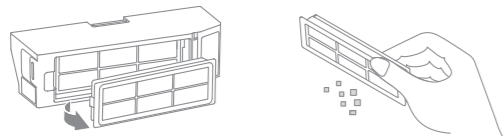


2. Öffnen Sie die Behälterabdeckung und leeren Sie den Behälter wie in der Abbildung gezeigt.



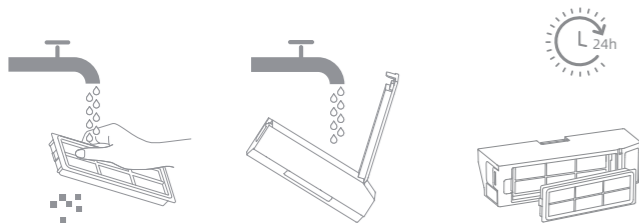
Filter

1. Nehmen Sie den Filter heraus und klopfen Sie vorsichtig auf seinen Korb.



Hinweis: Versuchen Sie nicht, den Filter mit einer Bürste, einem Finger oder scharfen Gegenständen zu reinigen, um Schäden zu vermeiden.

2. Spülen Sie den Staubbehälter und den Filter mit Wasser und trocknen Sie sie vollständig vor dem Wiedereinbau.

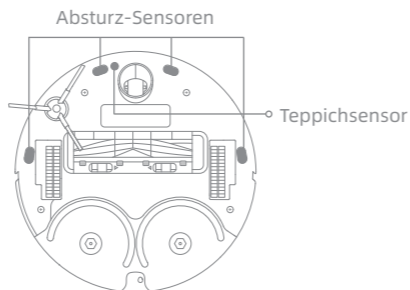
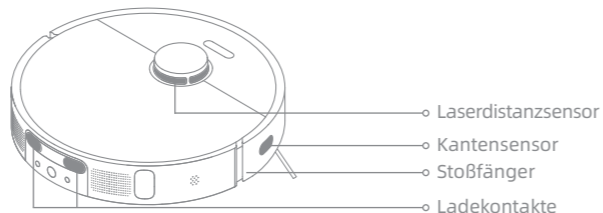
**Hinweis:**

- Spülen Sie den Staubbehälter und den Filter nur mit sauberem Wasser aus. Verwenden Sie keine Reinigungsmittel.
- Verwenden Sie den Staubbehälter und den Filter nur, wenn sie vollständig trocken sind.

Sensoren und Ladkontakte des Roboters

Wischen Sie Sensoren und Ladkontakte des Roboters mit einem weichen, trockenen Tuch ab:

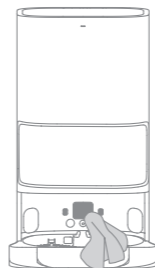
- Die Cliff-Sensoren und der Ultraschallsensor auf der Unterseite des Roboters
- Ladkontakte auf der Rückseite des Roboters
- Der Kantensensor an der Seite des Roboters
- LDS auf der Oberseite des Roboters
- Der Stoßfänger an der Vorderseite des Roboters



Hinweis: Feuchtes Tuch kann empfindliche Elemente innerhalb des Roboters und der Basisstation beschädigen. Bitte verwenden Sie ein trockenes Tuch zur Reinigung.

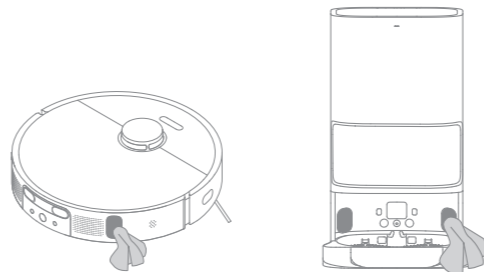
Ladkontakte

Reinigen Sie die Ladkontakte und den Signalisierungsbereich der Basisstation mit einem weichen, trockenen Tuch.



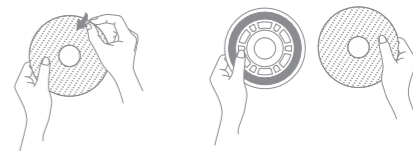
Automatische Lüftungsöffnung

Reinigen Sie die automatische Lüftungsöffnung des Roboters und der Basisstation mit einem weichen, trockenen Tuch.



Wischer


Entfernen Sie den Wischmopp aus dem Wischmopphalter, um es auszutauschen.



Batterie

Der Roboter enthält einen leistungsstarken Lithium-Ionen-Akku. Achten Sie darauf, dass der Akku bei täglichem Gebrauch gut aufgeladen bleibt, um die optimale Akkuleistung zu erhalten. Wenn der Roboter über einen längeren Zeitraum nicht benutzt wird, schalten Sie ihn aus und legen Sie ihn weg. Um Schäden durch Überentladung zu vermeiden, laden Sie den Roboter mindestens einmal alle drei Monate auf.

| Problem | Lösung |
|--|--|
| Der Roboter lässt sich nicht einschalten. | Der Akku ist schwach. Laden Sie den Roboter an der Basis auf und versuchen Sie es erneut. Die Temperatur des Akkus ist zu niedrig oder zu hoch. Es wird empfohlen, das Gerät bei einer Temperatur zwischen 0° C und 40° C in Betrieb zu nehmen. |
| Der Roboter wird nicht geladen. | Die Basisstation ist nicht an die Stromversorgung angeschlossen. Bitte stellen Sie sicher, dass beide Enden des Netzkabels korrekt angeschlossen sind. Der Kontakt zwischen den Ladekontakten an der Basisstation und dem Roboter ist schlecht, bitte reinigen Sie die Ladekontakte. Überprüfen Sie, ob sich am Anschluss des Roboters ein Fremdobjekt befindet, und entfernen Sie gegebenenfalls das Fremdobjekt. |
| Der Roboter kann keine Verbindung zum WLAN herstellen. | Das Passwort für das WLAN-Netzwerk ist falsch. Überprüfen Sie, ob das Passwort für die Verbindung mit Ihrem WLAN-Netzwerk korrekt ist. Der Roboter unterstützt keine 5-GHz-WLAN-Verbindung. Stellen Sie sicher, dass der Roboter mit einer 2,4-GHz-WLAN-Verbindung verbunden ist. Das WLAN-Signal ist schwach. Stellen Sie sicher, dass sich der Roboter in einem Gebiet mit guter WLAN-Abdeckung befindet. Der Roboter ist möglicherweise nicht bereit für die Konfiguration. Beenden Sie die App, rufen Sie sie erneut auf und versuchen Sie es dann erneut. |
| Der Roboter findet nichts und kehrt zur Basisstation zurück. | Die Basisstation wird vom Strom getrennt oder bewegt, wenn der Roboter nicht darauf ist. Es gibt zu viele Hindernisse rund um die Basisstation. Platzieren Sie die Basisstation in einem offeneren Bereich. Das Bewegen des Roboters kann dazu führen, dass er sich neu positioniert und eine Karte neu erstellt, wenn die Neupositionierung fehlschlägt. Wenn der Roboter zu weit von der Basisstation entfernt ist, kann er möglicherweise nicht automatisch zurückkehren. In diesem Fall müssen Sie den Roboter manuell auf die Basisstation stellen. Wischen Sie den Signalisierungsbereich an der Basisstation ab, um Staub oder Schmutz zu entfernen. |

| Problem | Lösung |
|---|---|
| Der Roboter bleibt vor der Basisstation stecken und kann nicht zu ihr zurückkehren. | Beseitigen Sie alle Hindernisse innerhalb von 0,5 m auf der linken und rechten Seite oder innerhalb von 1,5 m vor der Basisstation, damit der Roboter nicht dadurch blockiert wird. Die Route für die Rückkehr zur Ladung ist blockiert, z. B. die Tür ist geschlossen. Der Roboter kann ausrutschen, wenn der Boden vor der Basisstation übermäßig nass ist. Wenn ja, entfernen Sie das überschüssige Wasser, bevor Sie es erneut versuchen. Es wird empfohlen, die Basisstation an einen anderen Ort zu verlegen und es erneut zu versuchen. |
| Der Roboter kann nicht ausgeschaltet werden. | Der Roboter kann beim Laden nicht ausgeschaltet werden. Es wird empfohlen, den Roboter von der Basisstation zu trennen und den Netzschalter anschließend drei Sekunden lang zu halten, um ihn auszuschalten. Wenn sich der Roboter mit Schritt 1 nicht ausschalten lässt, halten Sie die Taste  10 Sekunden lang gedrückt, um den Roboter zwangsweise auszuschalten. Wenn das Problem weiterhin besteht, wenden Sie sich bitte an den Kundenservice. |
| Die Aufladegeschwindigkeit ist langsam. | Es dauert etwa 6,5 Stunden, um den Roboter vollständig aufzuladen, wenn die Batterie schwach ist. Wenn Sie den Roboter bei Temperaturen außerhalb des angegebenen Bereichs betreiben, wird die Ladegeschwindigkeit automatisch verlangsamt, um die Lebensdauer der Batterie zu verlängern. Die Ladekontakte sowohl am Roboter als auch an der Basisstation können verschmutzt sein, bitte wischen Sie sie mit einem trockenen Tuch ab. |
| Die Geräusche nehmen zu, während der Roboter in Betrieb ist. | Überprüfen Sie, ob der Staubbehälterfilter verstopft ist. Wenn ja, reinigen Sie ihn oder ersetzen Sie ihn. Ein hartes Objekt kann sich in der Gummibürste oder dem Staubbehälter verfangen. Überprüfen und entfernen Sie jedes harte Objekt. Die Hauptbürste oder die Seitenbürste können sich verheddern. Überprüfen und entfernen Sie Fremdkörper. Schalten Sie den Saugmodus auf Standard oder Leise. |
| Der Roboter bewegt sich, ohne der festgelegten Route zu folgen. | Gegenstände wie Stromkabel und Hausschuhe sollten vor dem Einsatz des Roboters aufgeräumt werden. Beim Arbeiten auf nassen, rutschigen Böden kann das Hauptrad rutschen. Es wird empfohlen, die nassen Stellen vor dem Einsatz des Roboters zu trocknen. |

| Problem | Lösung |
|--|---|
| Der Roboter kann die zu reinigenden Räume nicht erreichen. | Stellen Sie sicher, dass die Türen der zu reinigenden Räume offen sind. Prüfen Sie, ob die Schwelle an der Zimmertür höher als 2 cm ist. Der Roboter kann nicht über hohe Schwellen oder Stufen klettern. Der Platz vor dem zu reinigenden Raum ist nass und rutschig, so dass der Roboter ausrutscht und nicht richtig arbeiten kann. Es wird empfohlen, den Boden vor dem Einsatz des Roboters zu trocknen. |
| Der Roboter nimmt die Reinigung nach dem Laden nicht wieder auf. | Vergewissern Sie sich, dass der Roboter nicht auf den Nicht-Stören-Modus eingestellt ist, da er dann die Reinigung nicht fortsetzen kann. Der Roboter wird die Reinigung nicht fortsetzen, nachdem Sie den Roboter zum Aufladen manuell zur Basisstation zurückgebracht haben. Dazu gehört das manuelle Platzieren des Roboters auf der Basisstation oder das Senden des Roboters zum Aufladen über die App oder den Roboter selbst. |
| Die Station kann den Staubbehälter nicht automatisch leeren. | Überprüfen Sie, ob der Staubsammelbeutel im Staubbehälter voll ist. Wenn der Staubsammelbeutel nicht voll ist, überprüfen Sie, ob die automatische Lüftungsöffnung des Roboters der Basisstation oder der Staubbehälter Fremdkörper haben. Falls vorhanden, entfernen Sie sie rechtzeitig. |
| Der Wasserstand in der Waschanlage ist anormal. | Überprüfen Sie, ob die Dichtung am Schmutzwassertank lose oder nicht richtig installiert ist, und setzen Sie sie gegebenenfalls manuell zurück. Drücken Sie vorsichtig auf Schmutzwassertank, um sicherzustellen, dass er richtig installiert ist. Nehmen Sie das Waschbrett heraus und prüfen Sie, ob der Abfluss verstopft ist, und reinigen Sie ihn. Überprüfen Sie das Reinigungsmittel Geben Sie keine andere Flüssigkeit als das offiziell zugelassene Reinigungsmittel hinzu. Wenn das Problem weiterhin besteht, wenden Sie sich bitte an den Kundendienst. |

Für weitere Dienstleistungen kontaktieren Sie uns bitte über aftersales@dreame.tech
Webseite: <https://global.dreametech.com>

Spezifikationen

Roboter

| | |
|---------------------------|--------------------------------|
| Modell | RLS6LADC-6 |
| Ladedauer | Ca. 6,5 Stunden |
| Nennspannung | 14,4 V $\overline{\text{---}}$ |
| Bemessungsleistung | 75 W |
| Betriebsfrequenz | 2400-2483,5 MHz |
| Maximale Ausgangsleistung | <20 dBm |

Informations DEEE



Alle mit diesem Symbol gekennzeichneten Produkte sind Elektroschrott und Elektrogeräte (WEEE entsprechend EU-Richtlinie 2012/19/EU) und dürfen nicht mit unsortiertem Haushaltsmüll vermischt werden. Schützen Sie stattdessen Ihre Mitmenschen und die Umwelt, indem Sie Ihre zu entsorgenden Geräte an eine dafür vorgesehene, von der Regierung oder einer lokalen Behörde eingerichtete Sammelstelle zum Recycling von Elektroschrott und Elektrogeräten bringen. Eine ordnungsgemäße Entsorgung und Recycling helfen, negative Auswirkungen auf die Gesundheit von Umwelt und Menschen zu vermeiden. Wenden Sie sich bitte an den Installateur oder lokale Behörden, um Informationen zum Standort und den allgemeinen Geschäftsbedingungen solcher Sammelstellen zu erhalten.

Basisstation

| | |
|--|----------------------------------|
| Modell | RCS9-5 |
| Nenneingang | 220-240 V ~ 50-60 Hz |
| Nennausgang | 20 V $\overline{\text{---}}$ 2 A |
| Leistung (während der Staubentleerung) | 1000 W |
| Leistung (während der Reinigung) | 55 W |
| Leistung (während des Trocknens und des Aufladens) | 78 W |

Unter normalen Einsatzbedingungen muss dieses Gerät einen Abstand von mindestens 20 cm zwischen der Antenne und dem Körper des Benutzers einhalten.

Entsorgung von Elektro- und Elektronikgeräten



Die durchgestrichene Mülltonne bedeutet, dass Sie gesetzlich verpflichtet sind, diese Geräte einer vom unsortierten Siedlungsabfall getrennten Erfassung zuzuführen. Die Entsorgung über die Restmülltonne oder die gelbe Tonne ist untersagt. Enthalten die Produkte Batterien oder Akkus, die nicht fest verbaut sind, müssen diese vor der Entsorgung entnommen und getrennt als Batterie entsorgt werden.

Möglichkeiten der Rückgabe von Altgeräten

Besitzer von Altgeräten können diese im Rahmen der durch öffentlich-rechtlichen Entsorgungsträger eingerichteten und zur Verfügung stehenden Möglichkeiten der Rückgabe oder Sammlung von Altgeräten abgeben, damit eine ordnungsgemäße Entsorgung der Altgeräte sichergestellt ist. Unter dem folgenden Link besteht die Möglichkeit, sich ein Onlineverzeichnis der Sammel- und Rücknahmestellen anzuzeigen zu lassen: <https://www.ear-system.de/ear-verzeichnis/sammel-und-ruecknahmestellen>

Datenschutz

Wir weisen alle Endnutzer von Elektro- und Elektronikaltgeräten darauf hin, dass Sie für das Löschen personenbezogener Daten auf den zu entsorgenden Altgeräten selbst verantwortlich sind.

Informations sur la sécurité

Pour éviter tout risque de choc électrique, d'incendie ou de blessure causé par une utilisation incorrecte de l'appareil, veuillez lire attentivement le manuel d'utilisation avant d'utiliser l'appareil et le conserver pour pouvoir vous y référer ultérieurement.

Restrictions d'utilisation

- Ce produit ne doit pas être utilisé par des enfants de moins de 8 ans ni par des personnes présentant un handicap moteur, sensoriel ou mental, ou ayant une expérience ou des connaissances limitées, sans la supervision d'un parent ou d'un tuteur afin de garantir un fonctionnement sûr et d'éviter tout risque. Le nettoyage et l'entretien ne doivent pas être effectués par des enfants sans surveillance.
- L'appareil ne doit être utilisé qu'avec le bloc d'alimentation fourni avec l'appareil.
- Ce produit contient des batteries qui peuvent être uniquement remplacées par des techniciens qualifiés ou par le service après-vente.
- Dégagez la zone à nettoyer. Les enfants ne doivent pas jouer avec ce produit. Pendant le nettoyage, assurez-vous que les enfants et les animaux de compagnie sont maintenus à une distance de sécurité du robot aspirateur.
- Ne pas installer, charger ou utiliser l'appareil dans les salles de bains ou autour des piscines.
- Ce produit est uniquement destiné au nettoyage des sols dans un environnement domestique. Ne l'utilisez pas à l'extérieur, sur des surfaces autres que des sols ou dans un environnement commercial ou industriel.
- Assurez-vous que l'appareil fonctionne correctement dans un environnement

Informations sur la sécurité

Restrictions d'utilisation

- adéquat. Dans le cas contraire, n'utilisez pas l'appareil.
- Si le câble d'alimentation est endommagé, ce dernier doit être remplacé par un câble spécial ou un assemblage disponible auprès du fabricant ou d'un agent de maintenance.
- N'utilisez pas le robot dans une zone située au-dessus du niveau du sol sans barrière de protection.
- Ne placez pas le robot à l'envers. N'utilisez pas le couvercle du LDS, le couvercle du robot ou le pare-chocs comme poignée pour déplacer le robot.
- N'utilisez pas le robot dans des environnements où la température ambiante est supérieure à 40°C ou inférieure à 0°C, ni sur un sol avec des liquides ou des substances collantes.
- Pour éviter d'endommager l'appareil ou de le traîner, débarrassez le sol de tout objet mobile et retirez les câbles ou les cordons d'alimentation qui se trouvent sur le trajet de nettoyage avant d'utiliser l'appareil.
- Retirez tous les objets fragiles ou de petite taille au sol afin d'éviter que le robot ne les percute ou ne les endommage.
- Maintenez vos cheveux, vos doigts et les autres parties de votre corps éloignés de l'orifice d'aspiration du robot.
- Gardez l'outil de nettoyage hors de portée des enfants.
- Ne faites pas fonctionner l'appareil dans une pièce où un nourrisson ou un enfant dort.

Informations sur la sécurité

Restrictions d'utilisation

- Ne mettez pas d'enfants, d'animaux ou d'objets sur le robot, qu'il soit à l'arrêt ou en mouvement.
- Gardez le robot hors de portée des enfants.
- Utilisez uniquement le détergent officiellement approuvé. N'ajoutez aucun liquide tel que de l'alcool ou un désinfectant.
- N'utilisez pas le robot pour nettoyer des objets brûlants. N'utilisez pas le robot pour ramasser des liquides inflammables ou combustibles, des gaz corrosifs ou des acides ou solvants non dilués.
- N'aspirez pas d'objets durs ou tranchants. N'utilisez pas l'appareil pour ramasser des objets tels que des pierres, de gros morceaux de papier ou tout autre élément susceptible d'obstruer l'appareil.
- Veuillez éteindre et débrancher l'appareil avant de le nettoyer et de l'entretenir.
- N'essuyez pas le robot ou la station de base avec un chiffon humide et ne les rincez pas avec un liquide. Après avoir nettoyé les pièces lavables, séchez-les complètement avant de les réinstaller et de les utiliser.
- Veuillez utiliser ce produit conformément aux instructions du Mode d'emploi. Les utilisateurs sont responsables des pertes ou dommages résultant d'une mauvaise utilisation de ce produit.

Batteries et charge

- Ne pas utiliser de batterie et de base d'auto-lavage du tiers. A utiliser uniquement avec le modèle RCS9-5 fourni.

Informations sur la sécurité

Batteries et charge

- N'essayez pas de démonter, réparer ou modifier la batterie ou la station de base par vous-même.
- Ne placez pas la station de base à proximité d'une source de chaleur.
- N'utilisez pas un chiffon humide ou des mains mouillées pour essuyer ou nettoyer les contacts de charge de la station de base.
- Ne jetez pas vos batteries usagées de façon incorrecte. Les batteries inutilisées doivent être jetées aux centres de recyclage appropriés.
- Si le cordon d'alimentation est endommagé ou rompu, cessez immédiatement de l'utiliser et contactez le service après-vente.
- Dans la mesure du possible, assurez-vous que le robot est éteint lorsque vous le transportez et rangez-le dans son emballage d'origine.
- Si vous ne prévoyez pas d'utiliser le robot pendant une période prolongée, chargez-le complètement, éteignez-le, puis entreposez-le dans un endroit frais et sec. Rechargez le robot au moins une fois tous les 3 mois pour éviter un déchargement excessif de la batterie.
- La batterie lithium-ion contient des substances dangereuses pour l'environnement. Avant de mettre le robot aspirateur au rebut, retirez d'abord la batterie pour la jeter ou la recycler conformément à la législation et à la réglementation locales du pays ou de la région dans lequel ou laquelle il est utilisé.
- Lorsque vous retirez les batteries du produit, il est préférable de les décharger complètement et de vous assurer que votre produit est débranché de la source d'alimentation.

Informations sur la sécurité

Batteries et charge

- 1) Dévissez la vis au bas, puis retirez le couvercle.
- 2) Débranchez le connecteur des batteries, puis retirez les batteries. N'endommagez pas le boîtier des batteries pour éviter tout risque de blessure.
- 3) Rapportez les batteries à un organisme de recyclage professionnel.

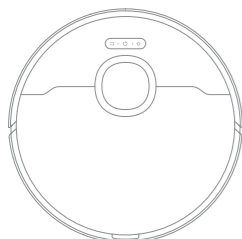
Informations sur la sécurité liée à l'utilisation du laser

- Le capteur laser de ce produit est conforme à la norme IEC 60825-1:2014 relative à la sécurité des produits lasers de classe 1. Veuillez éviter tout contact direct avec les yeux pendant l'utilisation.

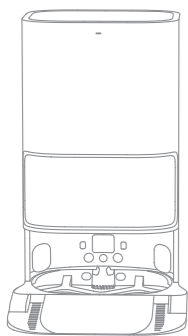
Par la présente, Dreame Trading (Tianjin) Co., Ltd. déclare que cet équipement radio de type RLL11GC est conforme à la Directive européenne 2014/53/UE. L'intégralité de la déclaration de conformité pour l'UE est disponible à l'adresse suivante: <https://global.dreameotech.com>
 Pour obtenir un manuel électronique détaillé, rendez-vous sur le site <https://global.dreameotech.com/pages/user-manuals-and-faqs>

Présentation du produit

Contenu d'emballage



Robot



Station de base

Autres accessoires



Brosse latérale



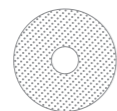
Câble d'alimentation



Brosse de nettoyage



Sac de collecte des poussières (rechange)



Serpillière x 2 (préinstallé)



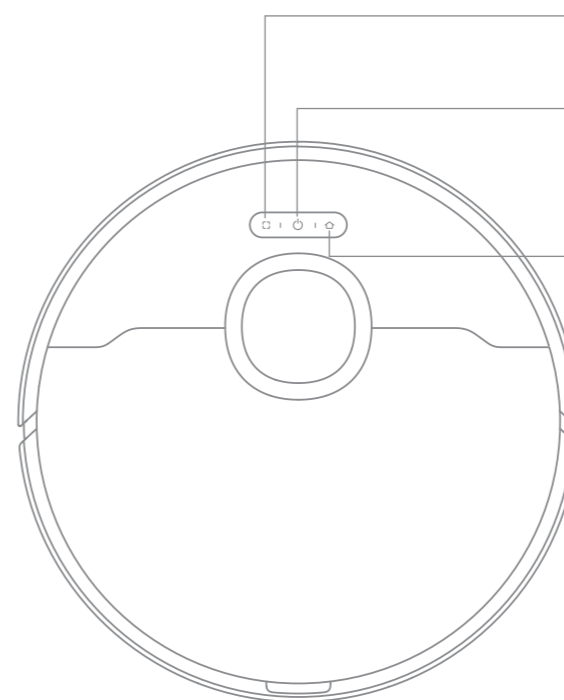
Support de la serpillière x 2






Manuel d'utilisation

Présentation du produit

Robot



-  **Nettoyage local**
 - Appuyez brièvement pour commencer le nettoyage local
-  **Bouton d'alimentation/nettoyage**
 - Appuyez sur cette touche pendant 3 secondes pour allumer ou éteindre le robot.
 - Appuyez brièvement sur cette touche pour lancer le nettoyage après la mise en marche du robot.
-  **Bouton d'accueil**
 - Appuyez brièvement pour renvoyer le robot vers la station de base.
 - Appuyez et maintenez enfoncé pendant 3 secondes pour désactiver la sécurité enfant.

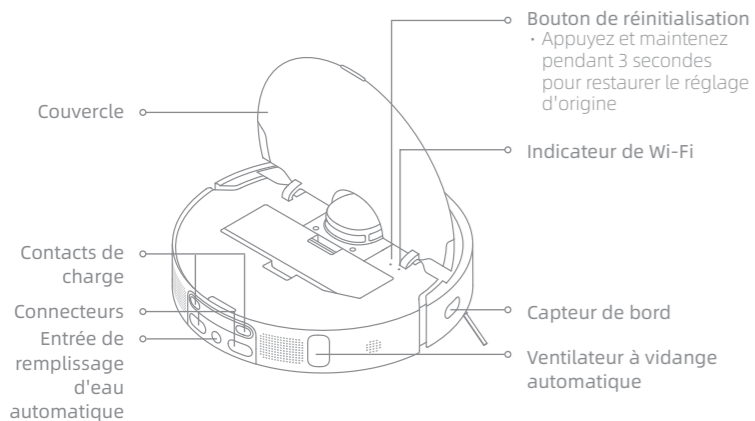
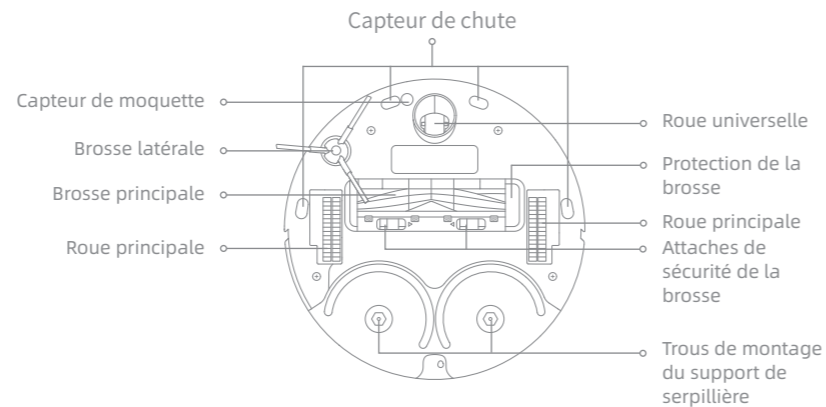
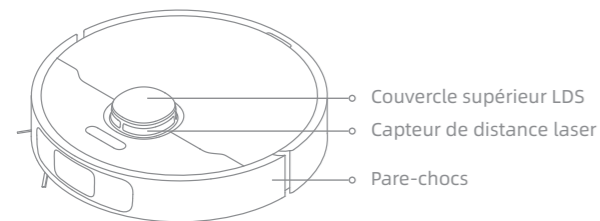
Indicateur d'état

- **Lumière blanche** : nettoyage en cours ou nettoyé
- **Clignotant rapide en orange** : Erreur
- **Orange fixe** : Batterie faible ou en pause

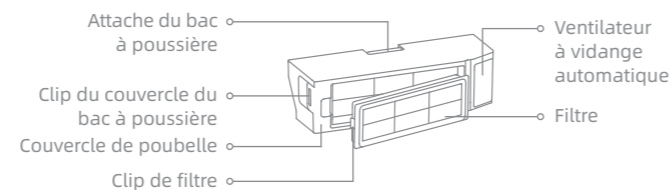
Remarque : appuyez sur tout bouton pour mettre en pause pendant que le robot nettoie ou retourne en charge.

Présentation du produit

Robot et capteurs

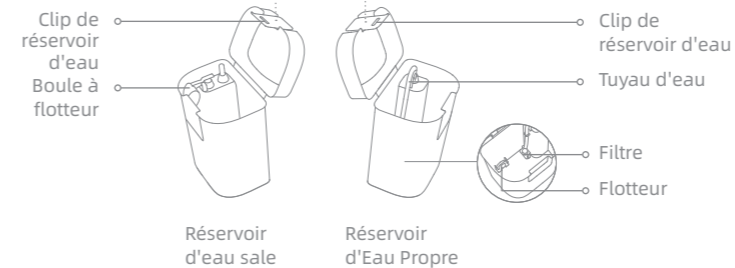
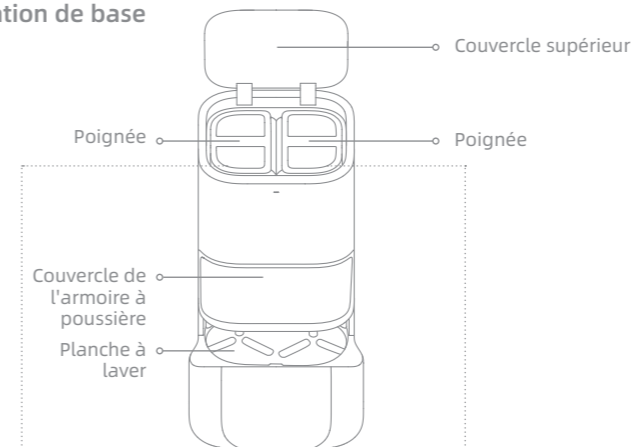


Poubelle

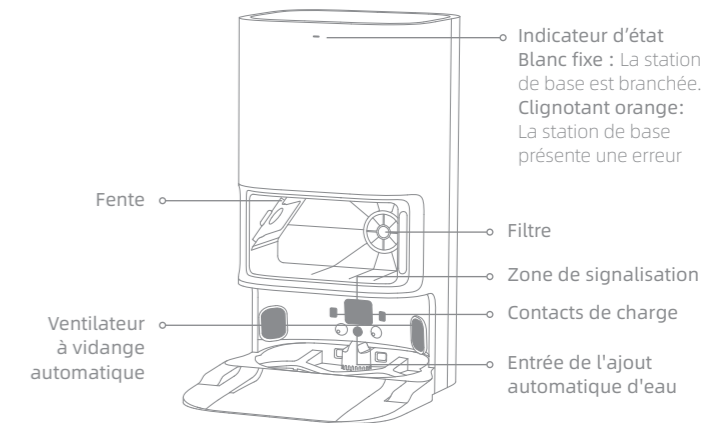


Présentation du produit

Station de base

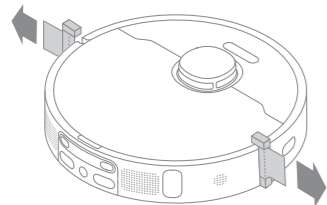


Station de base

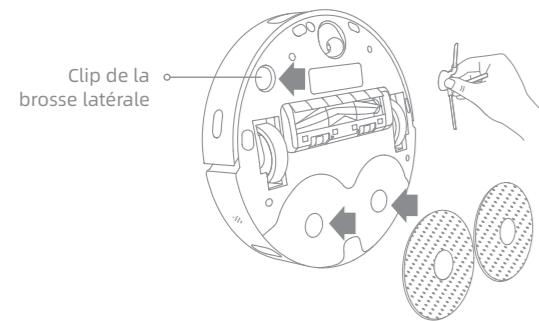


Avant l'utilisation

1. Retirez les bandes de protection



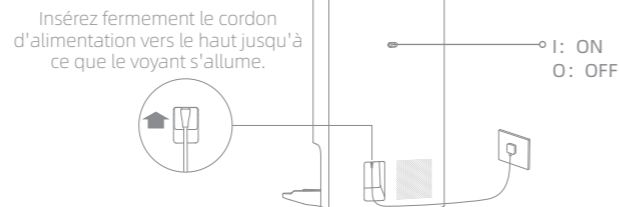
2. Installez la brosse latérale et l'assemblage de la serpillière.



Remarque : installez la brosse latérale jusqu'à ce qu'elle s'enclenche en place.

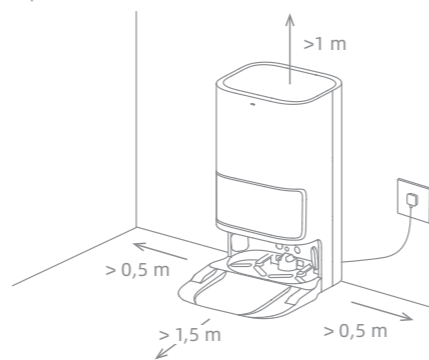
3. Raccordement à une prise électrique

Placez la station de base dans un endroit aussi ouvert que possible avec un bon signal Wi-Fi. Insérez le cordon d'alimentation dans la station de base et branchez-le dans la prise.



4. Placez la station de base

Retirez tous les objets qui se trouvent à moins de 1,5 m de l'avant, 1 m du haut et 0,5 m de chaque côté de la station de base.




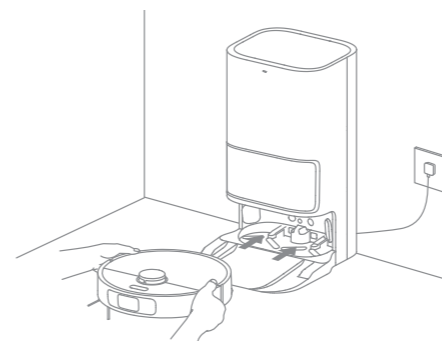
Remarque :

- Assurez-vous qu'aucun objet ne risque de bloquer la zone de signalisation.
- Pour éviter que les taches d'eau ne mouillent les planchers en bois ou les tapis, il est recommandé de placer la station de base sur des sols en carrelage ou en marbre.

Avant l'utilisation

5. Placez le robot

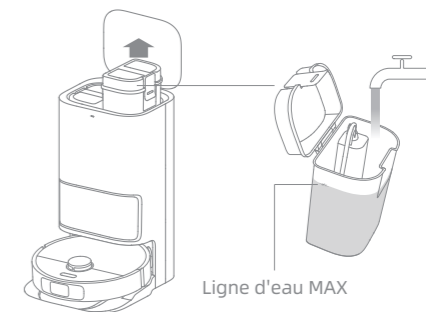
Appuyez sur le bouton  du robot et maintenez-le enfoncé pendant 3 secondes pour l'allumer. Placez le robot sur la station de base en orientant l'ensemble balai vers la planche à laver. Vous entendrez ensuite une notification vocale lorsque le robot se connectera avec succès à la station de base et commencera à se charger. Une fois le robot entièrement chargé, les indicateurs d'état du robot et de la station de base restent allumés pendant 10 minutes, puis s'éteignent.



Remarque : il est recommandé de charger complètement le robot avant sa première utilisation. Lorsque le robot ne peut pas être allumé après que la batterie soit épuisée, connectez manuellement le robot à la station pour le charger.

6. Ajouter de l'eau dans le réservoir d'eau propre

Retirez le réservoir d'eau propre de la station de base et remplissez-le d'eau propre jusqu'à la ligne d'eau maximale. Ensuite, réinstallez-le dans la station de base.



Remarque :

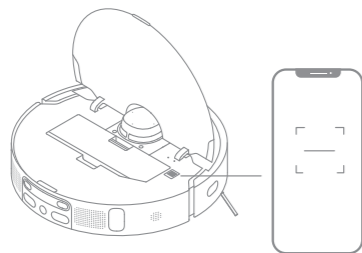
- ne remplissez pas d'eau chaude, sinon le réservoir risque de se déformer.
- N'ajoutez pas de liquide autre que le nettoyant officiellement approuvé afin
- d'éviter tout dysfonctionnement de la station de base.

Connexion avec Dreamehome App

Ce produit fonctionne avec l'application Dreamehome, afin de contrôler votre appareil.

1. Téléchargez l'application Dreamehome

Scannez le code QR sur le robot, ou recherchez "Dreamehome" dans la boutique d'applications pour télécharger et installer l'application en fonction de vos besoins.



2. Ajouter un appareil

Ouvrez l'application Dreamehome, appuyez sur "+" dans le coin supérieur droit et scannez à nouveau le code QR ci-dessus pour ajouter "DreameBot L10 Ultra". Suivez les instructions pour réussir la connexion Wi-Fi.

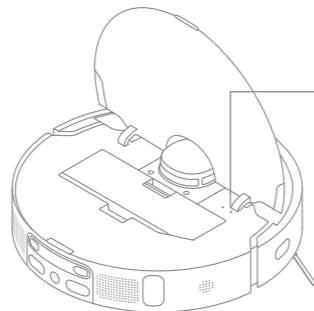


Remarque :

- Seul le Wi-Fi 2,4GHz est pris en charge.
- Le logiciel de l'application est en cours de mise à jour, les opérations réelles peuvent être différentes des instructions dans ce manuel. Veuillez suivre les instructions en fonction de la version actuelle de l'application.

3. Réinitialiser le Wi-Fi

Maintenez simultanément les touches et enfoncées jusqu'à ce que vous entendiez le message « En attente de la configuration réseau ». Lorsque le voyant du Wi-Fi clignote lentement, le Wi-Fi a été réinitialisé avec succès.



Indicateur de Wi-Fi

- Clignote lentement : En recherche de connexion
- Clignote rapidement : connexion en cours
- Allumé : connecté

Remarque : lorsque votre téléphone ne parvient pas à se connecter au robot, réinitialisez le Wi-Fi et ajoutez à nouveau l'appareil.

Mode d'utilisation

Cartographie rapide

Après avoir configuré le réseau pour la première fois, suivez les instructions de l'application pour créer rapidement une carte, et le robot commencera à cartographier sans nettoyage. Le processus de cartographie sera terminé lorsque le robot retournera à la station, et la carte sera enregistrée automatiquement.

Allumer/éteindre

Appuyez sur le bouton et maintenez-le enfoncé pendant 3 secondes pour allumer le robot, et le voyant d'alimentation est allumé en permanence. Placez le robot sur la base, et le robot s'allume automatiquement et commence à se charger. Pour éteindre le robot, éloignez-le de la base, puis appuyez sur le bouton et maintenez-le enfoncé pendant 3 secondes.

Pause / Veille

Lorsque le robot fonctionne, appuyez sur tout bouton pour le mettre en pause.

Si le robot se met en pause pendant plus de 10 minutes, il passe automatiquement en mode veille, et le voyant d'alimentation et le voyant de charge s'éteignent. Appuyez sur un bouton du robot ou de la base, ou tapez sur l'APP pour réveiller le robot.

Remarque :

- Le robot s'éteint automatiquement s'il reste en mode veille pendant plus de 12 heures.
- Si le robot est mis en pause et placé sur la station de base, le processus de nettoyage en cours se termine.

Mode Ne pas déranger (DND)

Lorsque le robot est réglé en mode Ne pas déranger (DND), le robot ne peut pas reprendre le nettoyage et le voyant d'alimentation s'éteint. Le mode DND est désactivé par défaut en usine. Vous pouvez utiliser l'application pour activer le mode DND ou modifier la période de DND. La période de mise en veille est de 22:00-8:00 par défaut.

Remarque :

- Les tâches de nettoyage programmées seront effectuées à l'heure pendant la période de mise en veille.
- Le robot reprend le nettoyage du point où il s'est arrêté après l'expiration de la période de mise en veille.

Nettoyage local

Lorsque le robot est en veille, appuyez brièvement sur le bouton pour activer le mode de nettoyage local. Dans ce mode, le robot nettoie une zone de forme carrée de 1,5 x 1,5 mètre autour de lui et revient à son point de départ une fois le nettoyage local terminé.


Redémarrage du robot

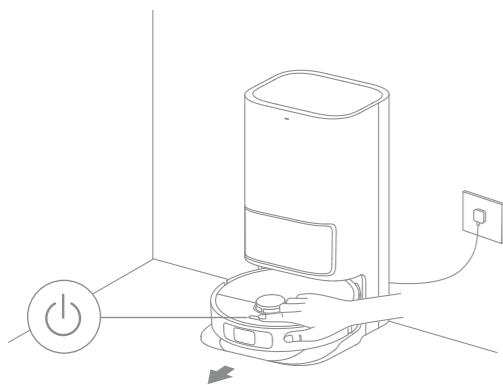
Si le robot cesse de répondre ou ne peut pas être éteint, appuyez et maintenez le bouton pendant 10 secondes pour l'éteindre de force. Ensuite, appuyez sur le bouton et maintenez-le enfoncé pendant 3 secondes pour remettre le robot en marche.

Balayage et Serpillière

Remarque : lors de la première utilisation de l'ensemble serpillière, le robot effectue la tâche de balayage et de serpillière par défaut.

1. Démarrer le balayage et le nettoyage

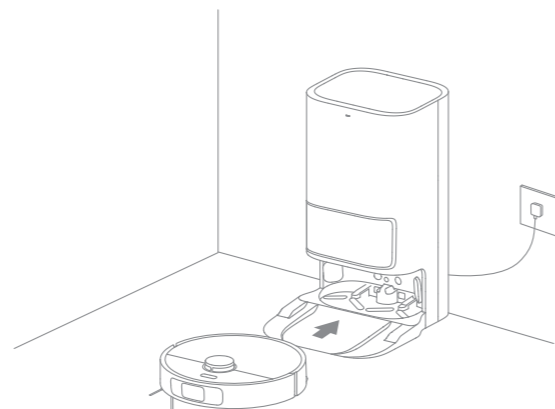
Appuyez sur le bouton  du robot, ou utilisez l'appli pour que le robot démarre depuis la station de base. Ensuite, le robot planifiera l'itinéraire de nettoyage optimal et effectuera la tâche de nettoyage en fonction de la carte créée.

**Remarque :**

- Les serpillières seront nettoyées avant que le robot ne commence à nettoyer, veuillez attendre avec patience.
- Ne déplacez pas la station de base, le réservoir d'eau propre, le réservoir d'eau sale ou la planche à laver pendant son fonctionnement.

2. Revenez au lavage de la serpillière au cours d'une tâche de nettoyage.

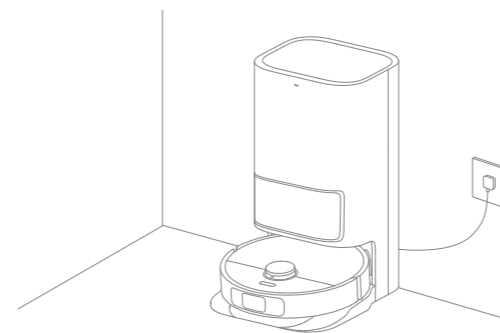
Pendant le passage de serpillière, le robot retourne automatiquement à la station de base pour nettoyer les serpillières en fonction de la fréquence de nettoyage des serpillières spécifiée dans l'application. Ensuite, la station de base remplira automatiquement le réservoir d'eau du robot, et le robot reprendra le nettoyage après le remplissage d'eau.



Remarque : si le robot retourne à la station de base pour nettoyer les serpillières à mi-chemin, la station de base ne videra pas automatiquement le bac à poussière.

3. Nettoyer et sécher les serpillières après avoir vidé le bac à poussière

Une fois que le robot a terminé une tâche de nettoyage et qu'il retourne à la station de base pour se recharger, la station de base commence automatiquement à vider le bac à poussière, puis à nettoyer et à sécher les tampons.

**Remarque :**

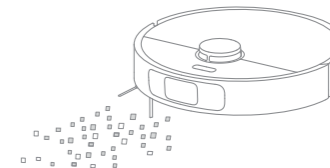
- Lorsque le robot revient à mi-chemin vers la station de base pour nettoyer les serpillières, la station de base ne vide pas automatiquement le bac à poussière.
- Si la fonction de vidage automatique est désactivée dans l'application, la station de base ne videra pas automatiquement le bac à poussière.
- La station de base videra le bac à poussière en fonction de la fréquence définie dans l'application.

4. Nettoyage du réservoir d'eau sale


Une fois que le robot a terminé sa tâche, veuillez nettoyer le réservoir d'eau usagée pour éviter toute odeur.

Balayage

1. Pour utiliser uniquement la fonction de balayage, sélectionnez "Balayage" dans l'application, ou retirez le balai du robot et le robot passera automatiquement en mode balayage.



Remarque : si l'ensemble balai n'est pas retiré du robot, vous pouvez sélectionner le mode balayage sur l'application, et le robot soulèvera automatiquement l'ensemble balai avant le balayage.

2. Assurez-vous que la station de base est branchée et que le robot est connecté à la station de base. Appuyez sur le bouton  du robot, ou utilisez l'appli pour envoyer le robot nettoyer toutes les zones à partir de la station de base.

Remarque : pour que le robot puisse revenir facilement à la station de base après le nettoyage, il est recommandé de faire démarrer le robot à partir de la station de base et d'éviter de déplacer la station de base pendant le nettoyage.

Pièces

Pour maintenir le robot en bon état, il est recommandé de consulter le tableau suivant pour l'entretien courant.

| Pièces | Fréquence d'entretien | Fréquence de remplacement |
|--|--------------------------------|---------------------------|
| Réservoir d'eau sale | Après chaque utilisation | |
| Réservoir d'Eau Propre | Une fois toutes les 2 semaines | / |
| Brosse principale | | Tous les 6 à 12 mois |
| Filtre du sac à poussière | | Tous les 3 à 6 mois |
| Brosse latérale | | |
| Planche à laver | Une fois par mois | / |
| Zone de signalisation de la station de base | | |
| Contacts de charge de la station de base | | |
| Évent de vidange automatique de la station de base | | |
| Roue universelle | | |
| Capteur de bord | | |
| Capteur de distance laser | | |

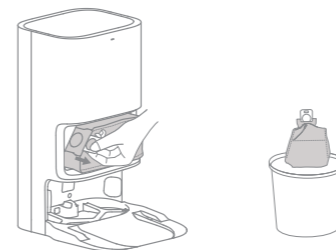
| Pièces | Fréquence d'entretien | Fréquence de remplacement |
|--|------------------------|---------------------------|
| Capteur de moquette | Une fois par mois | / |
| Capteur de chute | | |
| Contacts de charge sur le robot | | |
| Pare-chocs | | |
| Orifice de vidange automatique du robot | | |
| Entrée de remplissage d'eau automatique du robot | | |
| Bas du robot | Nettoyez si nécessaire | 6 à 8 semaines |
| Poubelle | | |
| Sac de collecte de la poussière | / | Tous les 1 à 3 mois |
| Serpillère | | |

Remarque : la fréquence de remplacement dépend de l'utilisation que vous faites du robot. Si une exception se produit en raison de circonstances particulières, les pièces doivent être remplacées.

Sac de collecte de la poussière

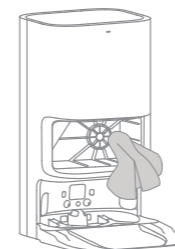
Lorsque le sac de collecte de la poussière doit être remplacé, une notification apparaît dans l'application.

1. Jetez le sac de collecte de la poussière.

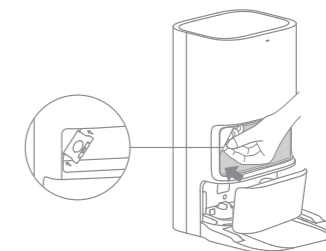


Remarque : en tirant vers le haut sur la poignée, vous scellerez le sac pour éviter que la poussière et les débris ne tombent accidentellement.

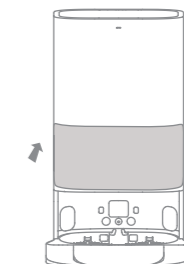
2. Retirez la poussière et les débris du filtre à l'aide d'un chiffon sec.



3. Installez un nouveau sac de collecte de la poussière.



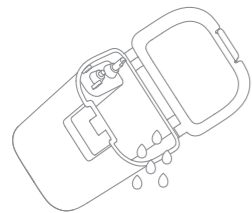
4. Fermez le couvercle de l'armoire à poussière.



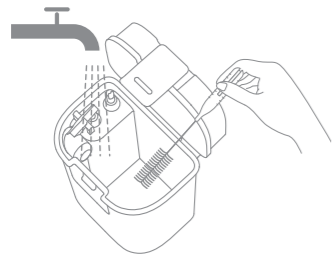
Maintenance de routine

Réservoir d'eau sale

1. Retirez le réservoir d'eau sale, ouvrez son couvercle et versez l'eau sale.



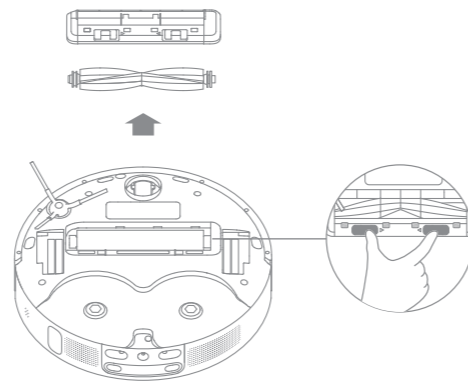
2. Rincez le réservoir d'eau sale avec de l'eau propre et utilisez la brosse de nettoyage fournie pour nettoyer la paroi intérieure du réservoir.



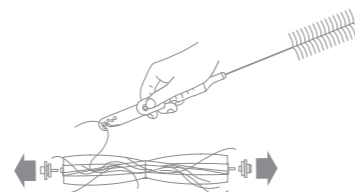
Remarque : le flotteur du réservoir d'eau sale est une pièce mobile. Ne forcez pas trop lorsque vous la nettoyez pour éviter de l'endommager.

Brosse principale

1. Appuyez sur les clips de protection de la brosse vers l'intérieur pour retirer la protection de la brosse et soulever la brosse pour la sortir du robot.



2. Ouvrez le cache de la brosse et avec un outil approprié retirez les poils et cheveux emmêlés dans la brosse.



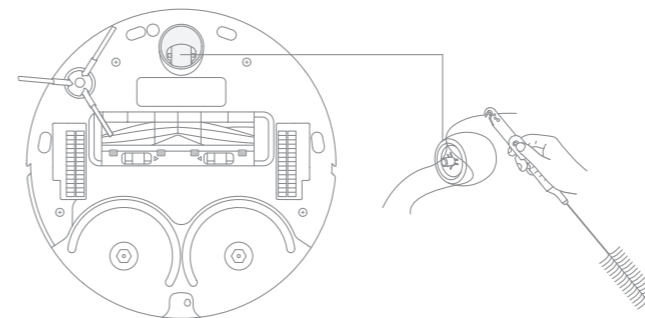
Maintenance de routine

Brosse latérale

Retirez et nettoyez la brosse latérale.



Roue universelle

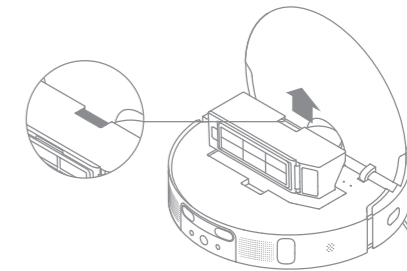


Remarque :

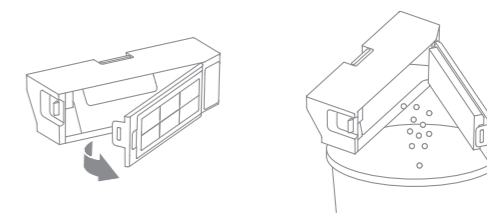
- Utilisez un outil tel qu'un petit tournevis pour séparer l'essieu et le pneu de la roue universelle. Ne le faites pas de force brute.
- Rincez la roue universelle sous l'eau courante et remettez-la en place après l'avoir complètement séchée.

Bac à poussière

1. Ouvrez le couvercle du robot et appuyez sur l'attache du bac à poussière pour le retirer.



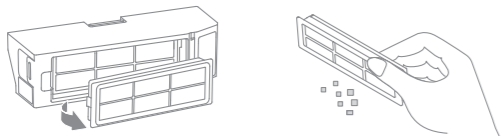
2. Ouvrez le couvercle du bac et videz le bac comme indiqué sur le schéma.



Maintenance de routine

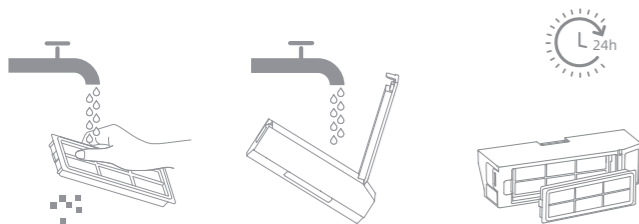
Filtre

1. Retirez le filtre et tapez doucement sur son panier.



Remarque : n'essayez pas de nettoyer le filtre avec une brosse, un doigt ou des objets pointus pour éviter de l'endommager.

2. Rincez le bac à poussière et le filtre à l'eau et séchez-les complètement avant de les réinstaller.



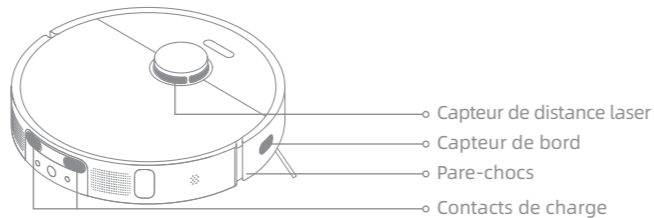
Remarque :

- Rincez le bac à poussière et le filtre à l'eau claire uniquement. N'utilisez pas de détergent.
- N'utilisez le bac à poussière et le filtre que lorsqu'ils sont complètement secs.

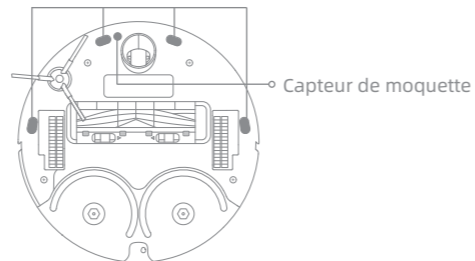
Capteurs et contacts de charge du robot

Essuyez les capteurs et les contacts de charge du robot à l'aide d'un chiffon doux et sec :

- Les capteurs de chute et le capteur à ultrasons situés sur la partie inférieure du robot.
- Contacts de charge à l'arrière du robot
- Le capteur de bord sur le côté du robot
- LDS sur le haut du robot
- Le pare-chocs à l'avant du robot



Capteurs de chute

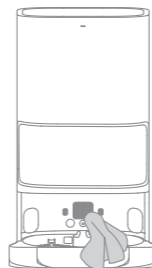


Remarque : un chiffon humide peut endommager les éléments sensibles du robot et de la station de base. Veuillez utiliser un chiffon sec pour le nettoyage.

Maintenance de routine

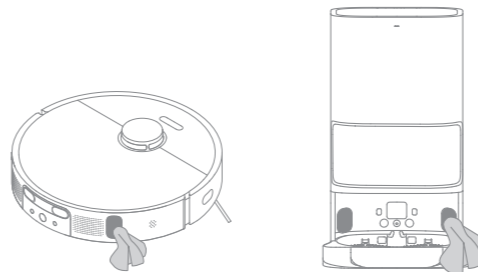
Contacts de charge

Nettoyez les contacts de charge et la zone de signalisation de la station de base avec un chiffon doux et sec.



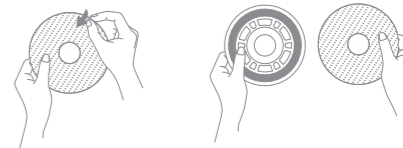
Événements de vidange automatique

Nettoyez les événements de vidange automatique du robot et de la station de base avec un chiffon doux et sec.



Serpillère

Retirez la serpillère de son support pour le remplacer.



Batterie

Le robot est équipé d'une batterie lithium-ion de haute performance. Veillez à ce que la batterie reste bien chargée lors d'une utilisation quotidienne afin de maintenir des performances optimales. Si le robot n'est pas utilisé pendant une longue période, éteignez-le et rangez-le. Pour éviter les dommages dus à une décharge excessive, chargez le robot au moins une fois tous les trois mois.

| Problème | Solution |
|---|--|
| Le robot ne s'allume pas | La batterie est trop faible. Rechargez le robot sur la base et réessayez. La température de la batterie est trop basse ou trop élevée. Il est recommandé de faire fonctionner l'appareil à une température entre 32 °F (0° C) et 104 °F (40° C). |
| Le robot ne se charge pas. | La station de base n'est pas alimentée, vérifiez que les deux extrémités de son cordon d'alimentation sont correctement branchées. Le contact entre les contacts de charge de la station de base et du robot est mauvais, veuillez nettoyer les contacts de charge. Vérifiez qu'il n'y a pas de corps étranger au niveau du connecteur du robot et, le cas échéant, retirez-le. |
| Le robot ne parvient pas à se connecter au Wi-Fi. | Le mot de passe du réseau Wi-Fi est incorrect. Assurez-vous que le mot de passe utilisé pour vous connecter à votre réseau Wi-Fi est correct. Le robot ne prend pas en charge une connexion Wi-Fi 5 GHz. Assurez-vous que le robot est connecté à une connexion Wi-Fi de 2,4 GHz. Le signal Wi-Fi est faible. Assurez-vous que le robot se trouve dans une zone avec une bonne couverture Wi-Fi. Le robot n'est peut-être pas prêt à être configuré. Quittez et entrez à nouveau dans l'application, puis réessayez en suivant les instructions. |
| Le robot ne peut pas trouver et retourner à la station de base. | La station de base est déconnectée de l'alimentation ou déplacée alors que le robot ne s'y trouve pas. Il y a trop d'obstructions autour de la station de base. Placez la station de base dans une zone plus ouverte. Le déplacement du robot peut l'amener à se repositionner, et il recréera une carte si le repositionnement échoue. Si le robot est trop éloigné de la station de base, il risque de ne pas revenir automatiquement, auquel cas vous devrez placer manuellement le robot sur la station de base. Essuyez la zone de signalisation de la station de base pour éliminer la poussière ou les débris. |

| Problème | Solution |
|---|---|
| Le robot reste bloqué devant la station de base et ne peut pas y retourner. | Dégagez toute obstruction dans un rayon de 0,5 m sur les côtés gauche et droit ou dans un rayon de 1,5 m devant la station de base pour éviter que le robot ne soit bloqué. L'itinéraire de retour à la charge est bloqué, par exemple, la porte est fermée. Le robot risque de se glisser si le sol devant la station de base est trop humide. Dans ce cas, nettoyez l'excès d'eau avant de réessayer. Il est recommandé de déplacer la station de base à un autre endroit et de réessayer. |
| Le robot ne s'éteint pas. | Le robot ne peut pas être éteint lorsqu'il est en charge. Il est recommandé de déplacer le robot de la station de base, puis d'appuyer sur le bouton d'alimentation et de le maintenir enfoncé pendant trois secondes pour l'éteindre. S'il est impossible d'éteindre le robot en effectuant l'étape 1, appuyez sur le bouton (⏻) et maintenez-le enfoncé pendant 10 secondes pour éteindre de force le robot. Si le problème persiste, veuillez contacter le service après-vente. |
| La vitesse de charge est ralentie. | Il faut environ 6,5 heures pour charger complètement le robot lorsque sa batterie est faible. Si vous faites fonctionner le robot à des températures hors de la plage spécifiée, la vitesse de charge ralentira automatiquement pour prolonger la durée de vie de la batterie. Les contacts de charge du robot et de la base peuvent être sales, veuillez les essuyer avec un chiffon sec. |
| Le bruit augmente pendant le fonctionnement du robot. | Vérifiez si le filtre du bac à poussière est bouché. Si c'est le cas, nettoyez-le ou remplacez-le. Un objet dur peut être pris dans la brosse en caoutchouc multi-surfaces ou dans le bac à poussière. Vérifiez et retirez tout objet dur. La brosse en caoutchouc multi-surfaces ou la brosse latérale risquent de s'emmêler. Vérifiez et retirez tout objet étranger. Passez le mode d'aspiration sur Standard ou Silence. |
| Le robot se déplace sans suivre l'itinéraire défini. | Les objets tels que les câbles d'alimentation et les pantoufles doivent être rangés avant d'utiliser le robot. Le travail sur des surfaces humides et glissantes entraîne le glissement de la roue principale. Il est recommandé de sécher les endroits humides avant d'utiliser le robot. |

| Problème | Solution |
|--|--|
| Le robot rate les pièces à nettoyer. | Assurez-vous que les portes des pièces à nettoyer sont ouvertes. Vérifiez qu'il n'y a pas de seuil supérieur à 2 cm à la porte de la pièce. Le robot ne peut pas franchir des seuils ou des marches élevés. L'endroit devant la pièce à nettoyer est humide et glissant, ce qui fait que le robot glisse et travaille anormalement. Il est recommandé de sécher le sol avant d'utiliser le robot. |
| Le robot ne reprend pas le nettoyage après la charge. | Assurez-vous que le robot n'est pas en mode Ne Pas Déranger (DND), ce qui l'empêcherait de reprendre le nettoyage. Le robot ne reprend pas le nettoyage après que vous ayez ramené manuellement le robot sur la station de base pour le charger, ce qui inclut le fait de placer manuellement le robot sur la station de base ou d'envoyer le robot en charge via l'appli ou le robot lui-même. |
| La station ne peut pas vider automatiquement le bac à poussière. | Vérifiez si le sac de collecte de la poussière dans l'armoire à poussière est plein. Si le sac de collecte de la poussière n'est pas plein, vérifiez s'il y a une obstruction au niveau des événements de vidange automatique du robot, de la station de base ou du bac à poussière. Si c'est le cas, nettoyez la partie obstruée à temps. |
| Le niveau d'eau dans la planche à laver est anormal. | Vérifiez si le joint du réservoir d'eau usagée est desserré ou mal installé, et réinitialisez-le manuellement si c'est le cas. Appuyez délicatement sur le réservoir d'eau usagée pour vous assurer qu'il est correctement installé. Retirez la planche à laver et vérifiez si l'évacuation de l'eau usée est bloquée et nettoyez-la. Vérifiez le nettoyeur. N'ajoutez pas de liquide autre que le nettoyeur officiellement approuvé. Si le problème persiste, veuillez contacter l'équipe du service après-vente. |

Pour des services supplémentaires, veuillez nous contacter via aftersales@dreame.tech.

Site Web : <https://global.dreametech.com>

Spécifications

Robot

| | |
|------------------------------|--------------------|
| Modèle | RLS6LADC-6 |
| Temps de Charge | Environ 6,5 heures |
| Tension nominale | 14,4 V \equiv |
| Puissance nominale | 75 W |
| Fréquence de fonctionnement | 2400-2483,5 MHz |
| Puissance maximale en sortie | <20 dBm |



Points de collecte sur www.quefairedemesdechets.fr
Privilégiez la réparation ou le don de votre appareil !

WEEE-Informationen



Tous les produits portant ce symbole deviennent des déchets d'équipements électriques et électroniques (DEEE dans la Directive européenne 2012/19/UE) qui ne doivent pas être mélangés aux déchets ménagers non triés. Vous devez contribuer à la protection de l'environnement et de la santé humaine en apportant l'équipement usagé à un point de collecte dédié au recyclage des équipements électriques et électroniques, agréé par le gouvernement ou les autorités locales. Le recyclage et la destruction appropriés permettront d'éviter tout impact potentiellement négatif sur l'environnement et la santé humaine. Contactez l'installateur ou les autorités locales pour obtenir plus d'informations concernant l'emplacement ainsi que les conditions d'utilisation de ce type de point de collecte.

Station de base

| | |
|---|----------------------|
| Modèle | RCS9-5 |
| Entrée nominale | 220-240 V ~ 50-60 Hz |
| Sortie nominale | 20 V \equiv 2 A |
| Alimentation (pendant le dépoussiérage) | 1000 W |
| Alimentation (pendant le nettoyage) | 55 W |
| Alimentation (séchage+rechargement) | 78 W |

Dans des conditions normales d'utilisation, une distance d'au moins 20 cm entre l'antenne de cet équipement et le corps de l'utilisateur doit être maintenue.

Informazioni di sicurezza

Per evitare scosse elettriche, incendi o lesioni causate da un uso improprio dell'apparecchio, per favore leggi attentamente il manuale utente prima di usare l'apparecchio e conservalo per riferimento futuro.

Restrizioni per l'utilizzo

- Questo prodotto non deve essere utilizzato da bambini di età inferiore a 8 anni, né da persone con deficit fisici, sensoriali, cognitivi, esperienza o conoscenza limitata, senza la supervisione di un genitore o tutore, al fine di garantire la sicurezza del funzionamento ed evitare eventuali rischi. La pulizia e la manutenzione non devono essere eseguite da bambini senza supervisione.
- L'apparecchio deve essere utilizzato esclusivamente con l'alimentatore fornito con l'apparecchio.
- Questo prodotto contiene batterie che possono essere sostituite soltanto da tecnici qualificati o dal servizio di assistenza post-vendita.
- Pulisci l'area da pulire. Non consentire ai bambini di giocare con questo prodotto. Assicurarsi che bambini e animali domestici siano a distanza di sicurezza dal robot mentre è in funzione.
- Non installare, ricaricare o usare l'apparecchio nei bagni o intorno alle piscine.
- Questo prodotto deve essere usato solo per pulire i pavimenti di casa. Non va usato all'esterno, su superfici diverse dai pavimenti o in ambito commerciale o industriale.
- Assicurati che l'apparecchio funzioni correttamente in un ambiente adeguato. Altrimenti, non usare l'apparecchio.
- Se il cavo di alimentazione è danneggiato, deve essere sostituito da un cavo speciale o da uno speciale sistema di cavi disponibile presso il produttore o un

Informazioni di sicurezza

Restrizioni per l'utilizzo

- responsabile dell'assistenza.
- Non utilizzare il robot in un ambiente sospeso sopra il livello del suolo senza una barriera protettiva.
- Non posizionare il robot capovolto. Non usare la copertura LDS, la copertura del robot o il paraurti come maniglia per il robot.
- Non usare l'robot a una temperatura ambiente oltre i 40°C o al di sotto di 0°C o su pavimenti dove sono presenti liquidi o sostanze appiccicose.
- Per evitare danni o danni causati dal trascinarsi, elimina eventuali oggetti sciolti dal pavimento e rimuovi cavi o cavi di alimentazione sul percorso di pulizia prima di usare l'apparecchio.
- Spostare dal pavimento gli oggetti fragili o piccoli per evitare che il robot li urti e li danneggi.
- Tenere lontani capelli, dita e altre parti del corpo dalla boccola di aspirazione del robot.
- Non posizionare la base autolavante vicino a una fonte di calore.
- Non usare l'apparecchio in una stanza dove dorme un neonato o un bambino.
- Non posizionare bambini, animali domestici o nessun altro oggetto sul robot, sia quando è fermo sia quando è in movimento.
- Tieni l'aspirapolvere fuori dalla portata dei bambini.
- Usa solo il detergente ufficialmente approvato. Non aggiungere alcun liquido come alcol o disinfettanti.
- Non usare il robot per pulire eventuali sostanze infiammabili. Non usare il robot per raccogliere liquidi infiammabili o combustibili, gas corrosivi o acidi o

Informazioni di sicurezza

Restrizioni per l'utilizzo

- solventi non diluiti.
- Non usare l'aspirapolvere su oggetti duri e taglienti. Non usare l'apparecchio per raccogliere oggetti come sassi, pezzi di carta grandi o qualsiasi altro oggetto che possa ostruire l'apparecchio.
- Per favore spegni e scollega l'apparecchio prima della pulizia e della manutenzione.
- Non pulire il robot o la stazione di base con un panno umido o risciacquarli con qualsiasi liquido. Dopo aver pulito le parti lavabili, asciuga completamente le parti prima di reinstallarle e usarle.
- Utilizzare il prodotto seguendo le istruzioni fornite nel manuale utente. Gli utenti sono responsabili di eventuali perdite o danni derivanti dall'uso improprio dell'apparecchio.

Batterie e Ricarica

- Non usare qualsiasi batteria di terze parti e base di autolavaggio. Usa solo con unità di alimentazione RCS9-5.
- Non tentare di smontare, riparare o modificare la batteria o la stazione di base da soli.
- Non posizionare la stazione di base vicino a una fonte di calore.
- Non usare un panno umido o le mani bagnate per strofinare o pulire i contatti di ricarica della stazione di base.
- Non smaltire in modo improprio le batterie usate. Smaltire le batterie non più necessarie in appositi impianti di riciclaggio.
- Se il cavo di alimentazione viene danneggiato o è spezzato, interrompere immediatamente l'utilizzo e contattare il servizio di assistenza post-vendita.

Informazioni di sicurezza

Batterie e Ricarica

- Accertarsi che l'robot sia spento durante il trasporto e conservarlo nella sua confezione originale, se possibile.
- Se l'robot non viene utilizzato per diverso tempo, ricaricarlo completamente, quindi spegnerlo e conservarlo in un posto fresco e asciutto. Ricaricare l'robot almeno una volta ogni 3 mesi per evitare uno scaricamento eccessivo della batteria.
- La batteria agli ioni di litio contiene sostanze pericolose per l'ambiente. Prima di gettare via l'aspirapolvere robot, rimuovere la batteria, quindi smaltirla o riciclarla in conformità alle leggi e alle normative locali del Paese o dell'area in cui viene utilizzata.
- Prima di rimuovere le batterie, verificare che siano esaurite e che il prodotto sia scollegato dall'alimentazione.
 - 1). Svitare la vite nella parte inferiore e rimuovere il coperchio.
 - 2). Scollegare il connettore delle batterie e rimuovere queste ultime. Non danneggiare il portabatterie per evitare il rischio di lesioni.
 - 3). Conferire le batterie presso le aziende autorizzate al riciclo.

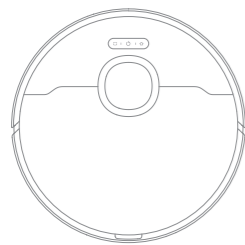
Informazioni di sicurezza sul laser

- Le capteur laser de ce produit est conforme à la norme IEC 60825-1:2014 relative à la sécurité des produits lasers de classe 1. Veuillez éviter tout contact direct avec les yeux pendant l'utilisation.

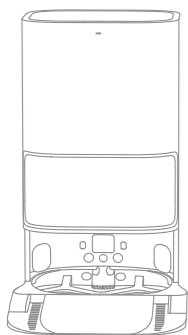
Con la presente, Dreame Trading (Tianjin) Co., Ltd. dichiara che l'apparecchiatura radio di tipo RLL11GC è conforme alla Direttiva 2014/53/UE. Il testo completo della dichiarazione di conformità UE è disponibile al seguente indirizzo Internet: <https://global.dreame.tech.com>
 Il manuale elettronico dettagliato è disponibile all'indirizzo <https://global.dreame.tech.com/pages/user-manuals-and-faqs>

Presentazione del prodotto

Contenuto della Confezione



Robot



Stazione di Base

Altri Accessori



Spazzola laterale



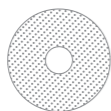
Cavo di Alimentazione



Spazzola per la pulizia



Sacchetto di raccolta della polvere (di ricambio)



Mocio x 2 (preinstallato)



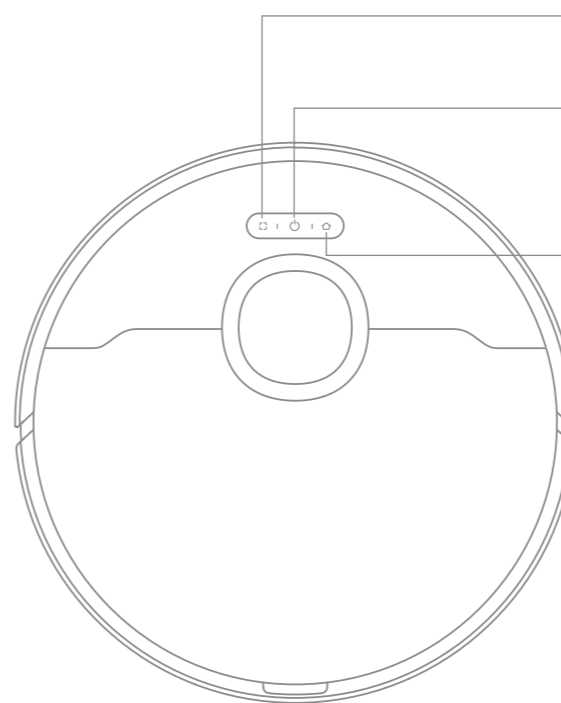
Supporto per Mocio x 2




Manuale utente


Presentazione del prodotto

Robot



 **Pulsante di Pulizia delle Macchie**
 · Premi brevemente per avviare la pulizia delle macchie

 **Pulsante di accensione/spegnimento/pulizia**
 · Premi e tieni premuto per 3 secondi per accendere o spegnere
 · Premi brevemente per avviare la pulizia dopo che il robot è acceso

 **Pulsante Dock**
 · Premi brevemente per rispedire il robot alla stazione di base
 · Premi e tieni premuto per 3 secondi per disabilitare Blocco Bambini.

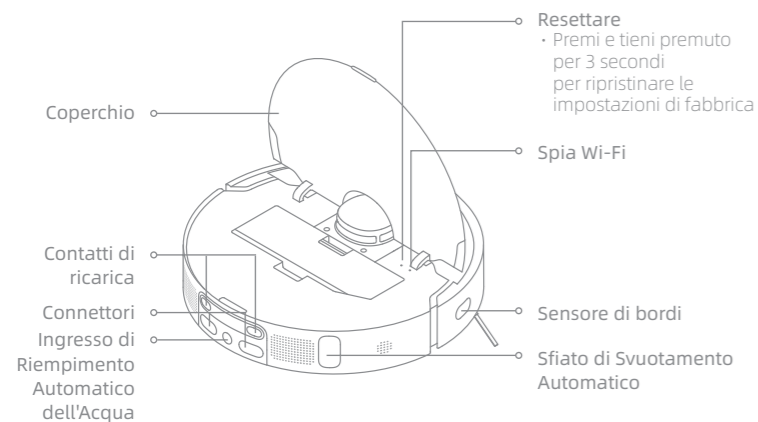
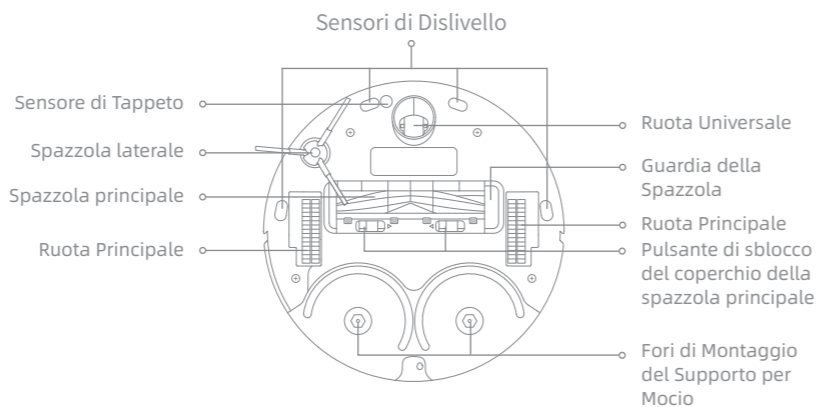
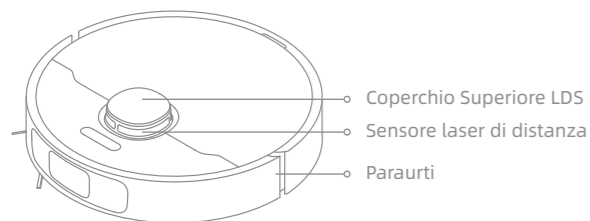
Indicatore di stato

- Bianco Acceso: Pulizia o Pulito
- Arancione Lampeggiante Rapidamente: Errore
- Arancione Fisso: Batteria bassa o in pausa

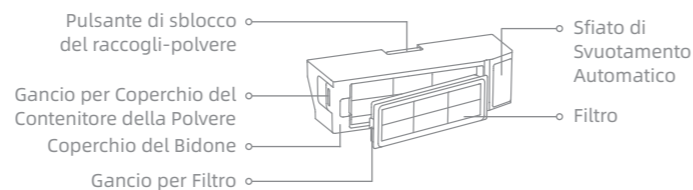
Nota: Premi un pulsante qualsiasi per mettere in pausa mentre il robot sta pulendo o tornando in ricarica.

Presentazione del prodotto

Robot e Sensori

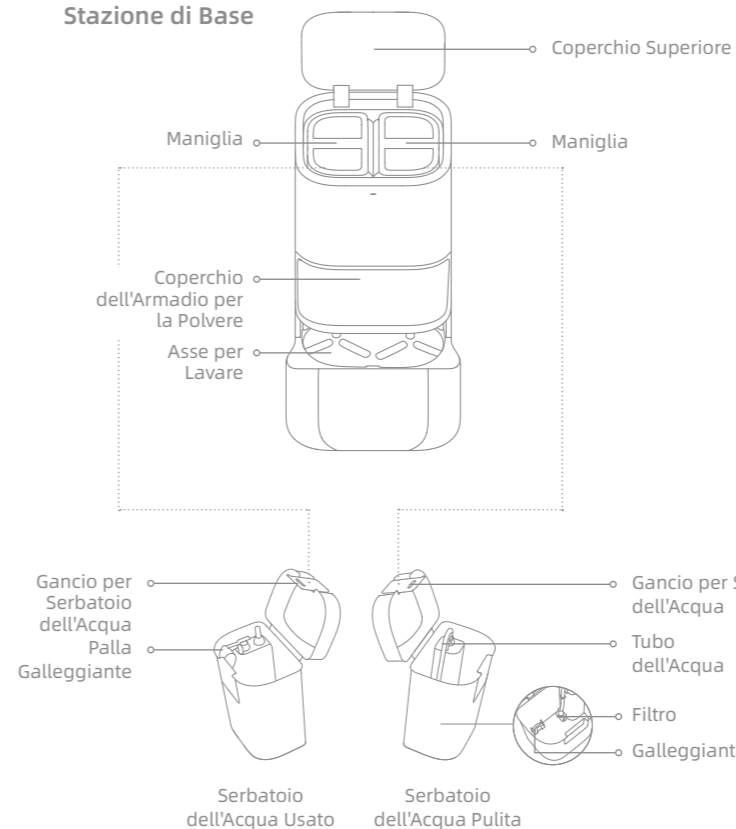


Contenitore Raccogli-polvere

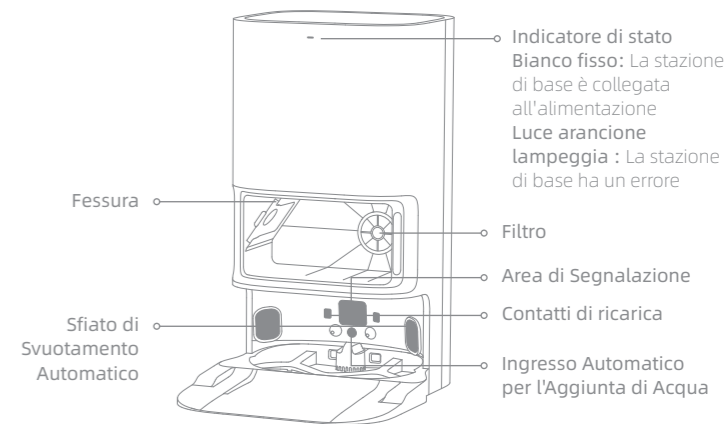


Presentazione del prodotto

Stazione di Base

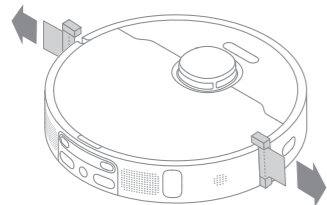


Stazione di Base

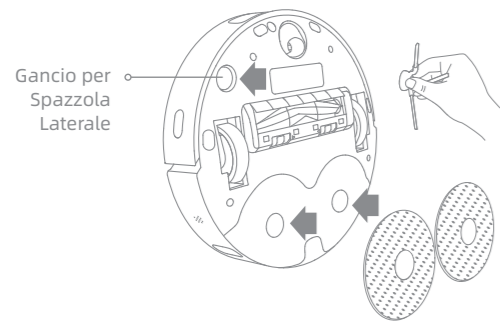


Prima dell'Uso

1. Rimuovi le strisce protettive



2. Installa la Spazzola Laterale e l'Assemblaggio del Mocio



Nota: Installa la spazzola laterale finché non scatta in posizione.

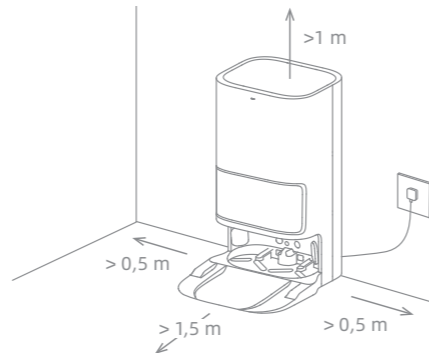
3. Collega a Una Presa Elettrica

Posiziona la stazione di base in un luogo il più aperto possibile con un buon segnale Wi-Fi. Inserisci il cavo di alimentazione nella stazione di base e collegalo alla presa.



4. Posiziona la Stazione di Base

Rimuovi tutti gli oggetti che sono più vicini di 1,5 m dalla parte anteriore, 1 m dall'alto e 0,5 m da entrambi i lati della stazione di base.




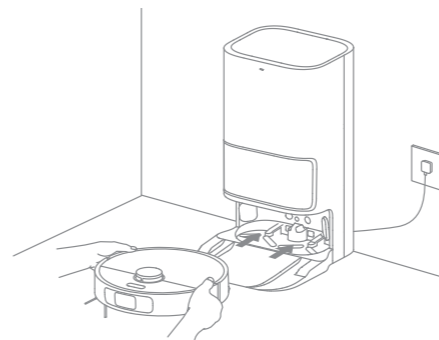
Nota:

- Assicurati che nessun oggetto possa bloccare l'area di segnalazione.
- Per evitare che le macchie d'acqua inumidiscano pavimenti in legno o tappeti, si consiglia di posizionare la stazione di base su pavimenti in piastrelle o pavimenti in marmo.

Prima dell'Uso

5. Posiziona il Robot

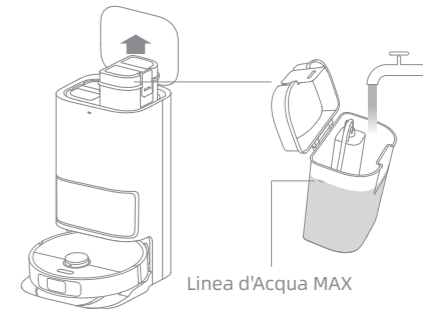
Premi e tieni premuto il pulsante  sul robot per 3 secondi per accenderlo. Posiziona il robot sulla stazione di base con l'assemblaggio del mocio rivolto verso l'asse per lavare. Quindi sentirai una notifica vocale quando il robot si conetterà con successo alla stazione di base e inizierà a ricaricarsi. Dopo che il robot è completamente carico, gli indicatori di stato sul robot e sulla stazione di base rimarranno accesi per 10 minuti e poi si oscureranno.



Nota: Si consiglia di ricaricare completamente il robot prima del primo uso. Quando il robot non può essere acceso dopo che la batteria è esaurita, collega manualmente il robot alla stazione per ricaricarlo.

6. Aggiungi Acqua al Serbatoio dell'Acqua Pulita

Estrai il serbatoio dell'acqua pulita dalla stazione di base e riempilo con acqua pulita fino alla linea dell'acqua massima. Quindi reinstallalo nella stazione di base.



Nota:

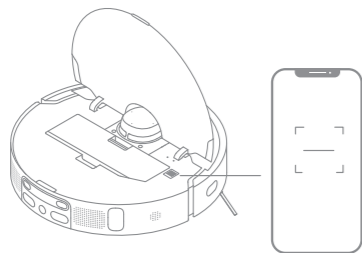
- Non riempire con acqua calda, altrimenti il serbatoio fresco potrebbe deformarsi.
- Non aggiungere qualsiasi liquido diverso dal detergente ufficialmente approvato per prevenire il malfunzionamento della stazione di base.

IT Connettiti con l'App Dreamehome

Questo prodotto funziona con l'app Dreamehome, che può essere usata per controllare il dispositivo.

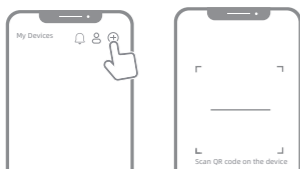
1. Scaricare l'App Dreamehome per la casa

Scansiona il codice QR sul robot o cerca "Dreamehome" nell'app store per scaricare e installare l'app in base alle tue esigenze.



2. Aggiungi dispositivo



apri il Dreamehome, tocca " + " nell'angolo in alto a destra e scansiona il codice QR sopra per aggiungere "DreameBot L10 Ultra". Segui le istruzioni per terminare la connessione Wi-Fi.

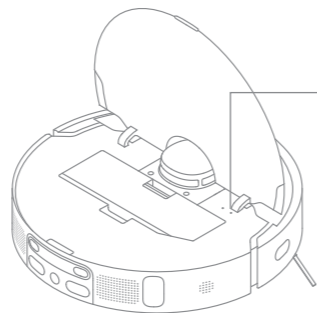


Nota:

- La connessione Wi-Fi supporta solo il segnale su banda 2,4 GHz.
- Il software dell'app è in fase di aggiornamento, le operazioni effettive potrebbero essere diverse dalle dichiarazioni in questo manuale. Per favore segui le istruzioni in base alla versione corrente dell'app.

3. Ripristino della connessione Wi-Fi

Sollevare la copertura superiore per verificare la spia Wi-Fi, premere i pulsanti  e  fino al messaggio sonoro "Attesa configurazione della rete". L'indicatore Wi-Fi inizierà a lampeggiare lentamente al riconoscimento delle informazioni di rete.



Spia Wi-Fi

- Lampeggia lentamente: Attende la connessione
- Lampeggia velocemente: Si sta connettendo
- Acceso: Connesso



Nota: In caso di connessione non riuscita, ripristinare le informazioni Wi-Fi e aggiungere nuovamente il dispositivo.

Istruzioni utente

Mappatura Veloce

Dopo aver configurato la rete per la prima volta, segui le istruzioni sull'app per creare rapidamente una mappa e il robot inizierà a mappare senza pulizia. Il processo di mappatura sarà completato quando il robot tornerà alla stazione e la mappa verrà salvata automaticamente.

Accensione/Spegnimento

Premi e tieni premuto il pulsante  per 3 secondi per accendere il robot e l'indicatore di alimentazione è permanentemente acceso. Posiziona il robot sulla base e il robot si accende automaticamente e inizia la ricarica. Per spegnere il robot, allontanalo dalla base e tieni premuto il pulsante  per 3 secondi.

Pausa / Sonno

Quando il robot è in funzione, premi un pulsante qualsiasi per metterlo in pausa.

Se il robot si ferma per più di 10 minuti, entra automaticamente in modalità sonno e l'indicatore di alimentazione e l'indicatore di ricarica smettono di illuminarsi. Premi qualsiasi pulsante sul robot o sulla base o tocca l'app per riattivare il robot.

Nota:

- Il robot si spegnerà automaticamente se lasciato in modalità riposo per più di 12 ore quando non è in ricarica.
- Se il robot viene messo in pausa e posizionato sulla stazione di base, il processo di pulizia in corso terminerà.


Modalità Non Disturbare (DND).

Quando il robot è impostato sulla modalità Non Disturbare (DND), al robot verrà impedito di riprendere la pulizia e l'indicatore di alimentazione si spegne. La modalità DND è disabilitata per impostazione predefinita in fabbrica. Puoi usare l'app per abilitare la modalità DND o modificare il periodo DND. Il periodo DND è 22: 00 - 8: 00 per impostazione predefinita.



Nota:

- I compiti di pulizia programmati verranno eseguiti in tempo durante il periodo DND.
- Il robot riprenderà la pulizia da dove era stata interrotta dopo la scadenza del periodo DND.

Pulizia delle Macchie

Quando il robot è in standby, premi brevemente il pulsante  per abilitare la modalità di pulizia delle macchie. In questa modalità, il robot pulisce un'area di forma quadrata di 1,5 x 1,5 metri intorno ad essa e torna al punto di partenza una volta completata la pulizia delle macchie.

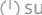
Riavvio del Robot

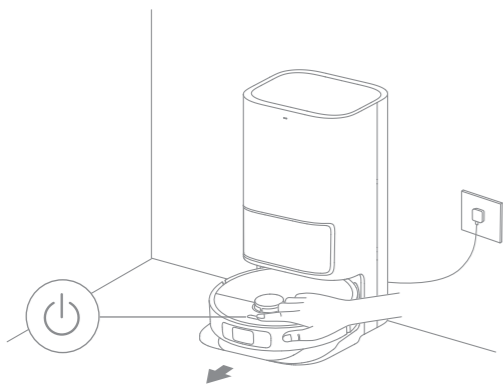
Se il robot smette di rispondere o non può essere spento, premi e tieni premuto il pulsante  per 10 secondi per spegnerlo forzatamente. Quindi, premi e tieni premuto il pulsante  per 3 secondi per accendere il robot.

Spazzamento e Lavaggio

Nota: Durante l'uso dell'assemblaggio del mocio per la prima volta, il robot esegue il compito di spazzamento e lavaggio per impostazione predefinita.

1. Inizia lo spazzamento e il lavaggio

Premi il pulsante  sul robot o usa l'app per far partire il robot dalla stazione di base. Quindi il robot pianificherà il percorso di pulizia ottimale ed eseguirà il compito di pulizia in base alla mappa creata.

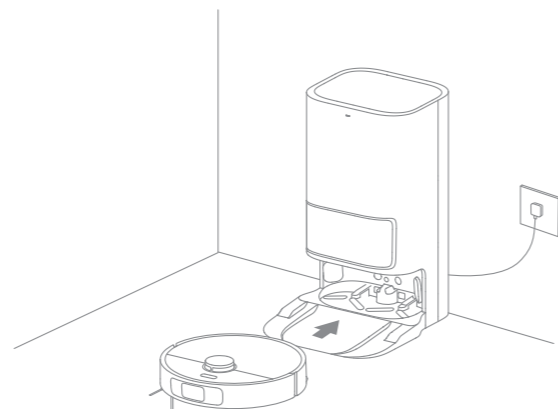


Nota:

- I moci verranno puliti prima che il robot inizi a lavare, per favore attendi con pazienza.
- Non spostare la stazione di base, il serbatoio dell'acqua pulita, il serbatoio dell'acqua usata o l'asse per lavare durante il suo funzionamento.

2. Torna a pulire i moci a metà strada

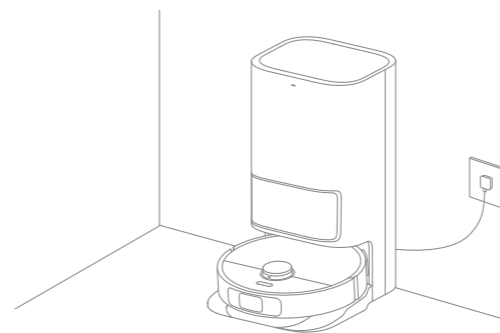
Durante il lavaggio, il robot tornerà automaticamente alla stazione base per lavare i mop pad in base alla frequenza di pulizia del mop pad specificata nell'app. Quindi la stazione base riempirà automaticamente il serbatoio dell'acqua del robot e il robot riprenderà la pulizia dopo il riempimento dell'acqua.



Nota: Se il robot torna alla stazione di base per pulire i moci a metà strada, la stazione di base non svuoterà automaticamente il contenitore della polvere.

3. Pulisci e asciuga i moci dopo lo svuotamento della polvere

Dopo che il robot ha terminato un compito di pulizia ed è tornato alla stazione di base per ricaricarsi, la stazione di base inizierà automaticamente a svuotare il contenitore della polvere, quindi pulirà e asciugherà i moci.



Nota:

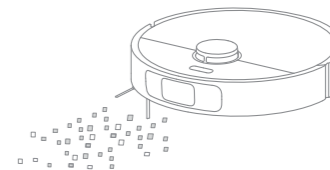
- Quando il robot torna a metà strada verso la stazione di base per pulire i moci, la stazione di base non svuoterà automaticamente il contenitore della polvere.
- Se la funzione di svuotamento automatico è disattivata nell'app, la stazione di base non svuoterà automaticamente il contenitore della polvere.
- La stazione di base svuoterà il contenitore della polvere secondo la frequenza impostata nell'app.

4. Pulisci il serbatoio dell'acqua usata


Dopo che il robot ha completato il compito, per favore pulisci il serbatoio dell'acqua usata per evitare qualsiasi odore.

Spazzamento

1. Per utilizzare solo la funzione di spazzamento, seleziona "Spazzamento" sull'app o rimuovi l'assemblaggio del mocio dal robot e il robot passerà automaticamente alla modalità di spazzamento.



Nota: Se l'assemblaggio del mocio non viene rimosso dal robot, puoi selezionare la modalità di spazzamento sull'app e il robot solleverà automaticamente l'assemblaggio del mocio prima di spazzare.

2. Assicurati che la stazione di base sia collegata all'alimentazione e che il robot sia collegato alla stazione di base. Premi il pulsante  sul robot o usa l'app per inviare il robot a pulire tutte le aree dalla stazione di base.

Nota: Per garantire che il robot possa tornare facilmente alla stazione di base dopo la pulizia, si consiglia di far partire il robot dalla stazione di base ed evitare di spostare la stazione di base durante la pulizia.

Manutenzione quotidiana

Parti

Per mantenere il robot in buone condizioni, si consiglia di fare riferimento alla tabella seguente per la manutenzione ordinaria.

| Parte | Frequenza di Manutenzione | Frequenza di Sostituzione |
|---|----------------------------|---------------------------|
| Serbatoio dell'Acqua Usato | Dopo ogni uso | / |
| Serbatoio dell'Acqua Pulita | Una volta ogni 2 settimane | |
| Spazzola principale | | Ogni 6 - 12 mesi |
| Filtro del Contenitore della Polvere | | Ogni 3 - 6 mesi |
| Spazzola laterale | | |
| Asse per Lavare | | Una volta ogni mese |
| Area di segnalazione della stazione di base | | |
| Contatti di ricarica della stazione di base | | |
| Sfiato di svuotamento automatico della stazione di base | | |
| Ruota Universale | | |
| Sensore di bordi | | |
| Sensore Laser di distanza | | |

| Parte | Frequenza di Manutenzione | Frequenza di Sostituzione |
|---|---------------------------|---------------------------|
| Sensore di Tappeto | Una volta ogni mese | / |
| Sensori di Dislivello | | |
| Contatti di Ricarica sul Robot | | |
| Paraurti | | |
| Sfiato di svuotamento automatico del robot | | |
| Ingresso di riempimento automatico dell'acqua del robot | | |
| Fondo del Robot | Pulire secondo necessità | 6 - 8 settimane |
| Contenitore Raccogli-polvere | | |
| Sacchetto di Polvere | / | Ogni 1 - 3 mesi |
| Mocio | | |

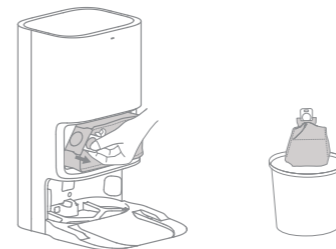
Nota: La frequenza di sostituzione dipenderà dal tuo utilizzo del robot. Se si verifica un'eccezione a causa di circostanze speciali, le parti devono essere sostituite.

Manutenzione quotidiana

Sacchetto di Polvere

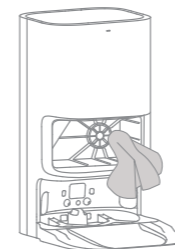
Quando è necessario sostituire il sacchetto di raccolta della polvere, una notifica apparirà nell'app.

1. Getta il sacchetto di raccolta della polvere.

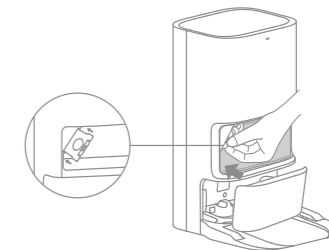


Nota: La trazione verso l'alto sulla maniglia sigillerà il sacchetto per evitare che polvere e detriti cadano accidentalmente.

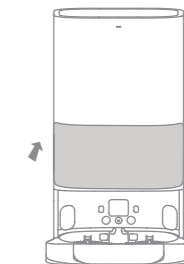
2. Rimuovi la polvere e i detriti dal filtro con un panno asciutto.



3. Installa un nuovo sacchetto di raccolta della polvere.



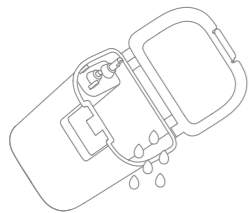
4. Chiudi il coperchio dell'armadio per la polvere.



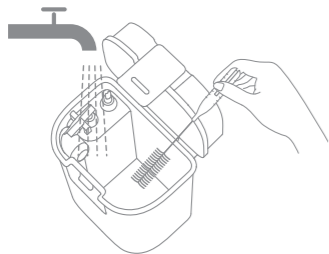
Manutenzione quotidiana

Serbatoio dell'Acqua Usato

1. Rimuovi il serbatoio dell'acqua usata, apri il coperchio e versa l'acqua sporca.



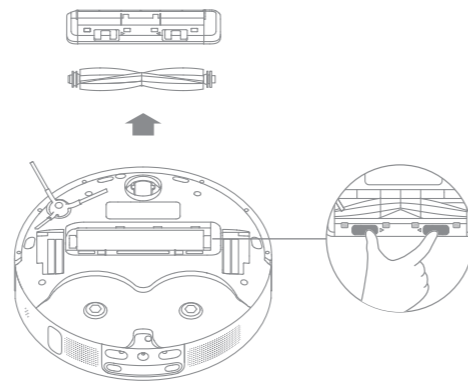
2. Sciacqua il serbatoio dell'acqua usata con acqua pulita e usa la spazzola per la pulizia fornito per pulire la parete interna del serbatoio dell'acqua usata.



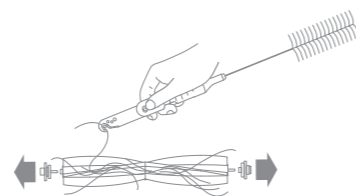
Nota: La sfera galleggiante nel serbatoio dell'acqua usata è una parte mobile. Non applicare troppa forza durante la pulizia per evitare di danneggiarlo.

Spazzola principale

1. Premi i ganci di guardia della spazzola verso l'interno per rimuovere la guardia della spazzola e sollevare la spazzola dal robot.



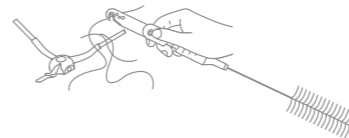
2. Estrai i coperchi della spazzola come mostrato nel diagramma. Usa uno strumento adeguato per rimuovere i capelli aggrovigliati nella spazzola.



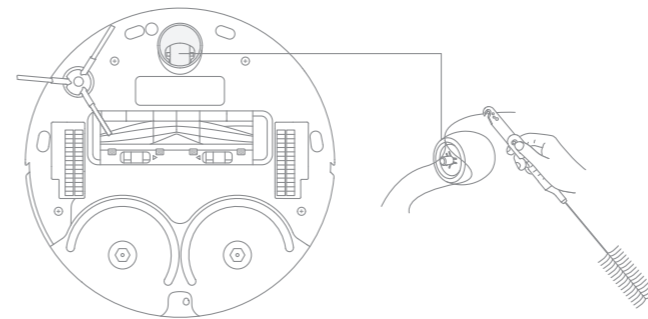
Manutenzione quotidiana

Spazzola laterale

Rimuovi e pulisci la spazzola laterale.



Ruota Universale

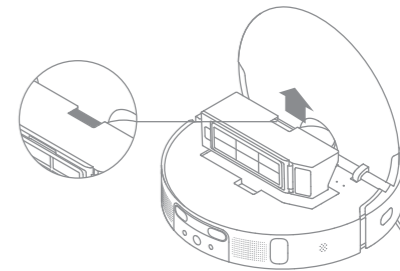


Nota:

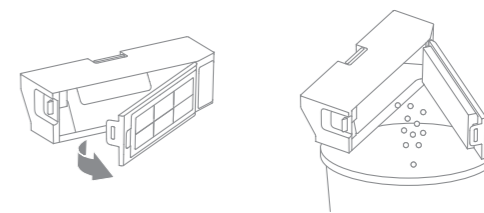
- Usa uno strumento come un piccolo cacciavite per separare l'asse e il pneumatico della ruota universale. Non usare eccessivamente la forza.
- Sciacqua la ruota universale sotto l'acqua corrente e rimettila dopo averla asciugata completamente.

Raccogli-polvere

1. Apri il coperchio del robot e premi il gancio del contenitore della polvere per rimuovere il bidone della polvere.



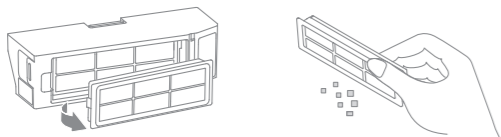
2. Apri il coperchio del bidone e svuota il bidone come mostrato nel diagramma.



Manutenzione quotidiana

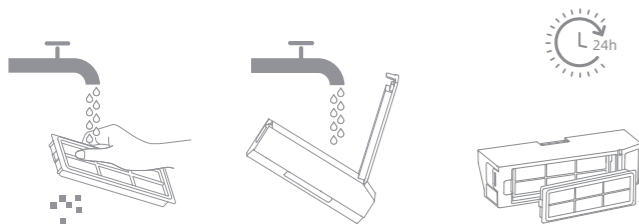
Filtro

1. Rimuovi il filtro e tocca delicatamente il suo cestello.



Nota: Non tentare di pulire il filtro con una spazzola, un dito o oggetti appuntiti per evitare danni.

2. Sciacqua il contenitore della polvere e il filtro con acqua e asciugali completamente prima di reinstallarli.



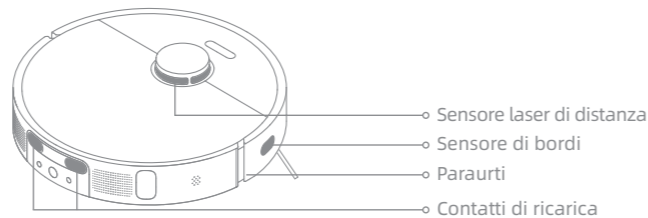
Nota:

- Sciacqua il bidone della polvere e il filtro solo con acqua pulita. Non usare alcun detersivo.
- Usa il bidone della polvere e il filtro solo quando sono completamente asciutti.

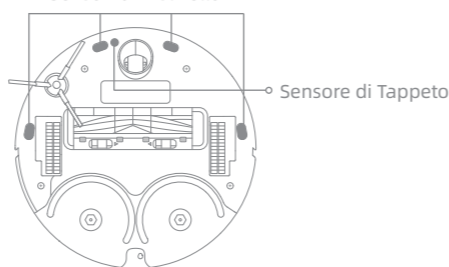
Sensori Robot e Contatti di Ricarica

Strofina i sensori e i contatti di ricarica del robot usando un panno morbido e asciutto:

- I sensori di dislivello e il sensore a ultrasuoni sul fondo del robot
- Contatti di ricarica sul retro del robot
- Il sensore per bordi sul lato del robot
- LDS sulla parte superiore del robot
- Il paraurti sulla parte anteriore del robot



Sensori di Dislivello

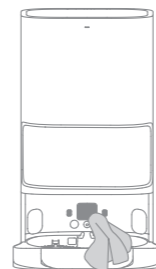


Nota: Il panno umido può danneggiare gli elementi sensibili all'interno del robot e della stazione di base. Per favore usa un panno asciutto per la pulizia.

Manutenzione quotidiana

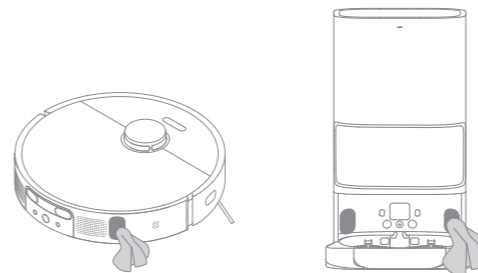
Contatti di ricarica

Pulisci i contatti di ricarica e l'area di segnalazione della stazione di base con un panno morbido e asciutto



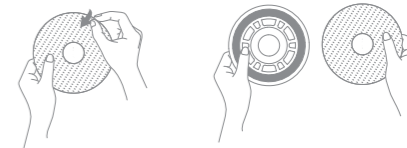
Sfiati di Svuotamento Automatico

Pulisci gli sfiati di svuotamento automatico del robot e della stazione di base con un panno morbido e asciutto.



Mocio

Rimuovi il mocio dal supporto per mocio per sostituirlo.



Batteria

Il robot contiene una batteria agli ioni di litio ad alte prestazioni. Assicurati che la batteria rimanga ben carica per l'uso quotidiano per mantenere prestazioni ottimali della batteria. Se il robot non viene usato per un lungo periodo di tempo, spegnilo e mettilo via. Per evitare danni causati da una scarica eccessiva, ricarica il robot almeno una volta ogni tre mesi.

Problemi comuni

| Problema | Soluzione |
|--|---|
| Il robot non si accende. | La batteria è scarica. Ricarica il robot sulla base e riprova. La temperatura della batteria è troppo bassa o troppo alta. Si consiglia di far funzionare l'apparecchio a una temperatura compresa tra 32 °F (0 °C) e 104 °F (40 °C). |
| Il robot non si ricarica. | La stazione di base non è collegata all'alimentazione, per favore assicurati che entrambe le estremità del cavo di alimentazione siano collegate correttamente. Il contatto tra i contatti di ricarica sulla stazione di base e il robot è scadente, per favore pulisci i contatti di ricarica. Controlla se c'è qualsiasi oggetto estraneo al connettore del robot e rimuovi l'oggetto estraneo se presente. |
| Il robot non riesce a connettersi al Wi-Fi. | La password della rete Wi-Fi non è corretta. Assicurati che la password usata per connetterti alla tua rete Wi-Fi sia corretta. Il robot non supporta una connessione Wi-Fi a 5 GHz. Assicurati che il robot sia connesso a una connessione Wi-Fi a 2,4 GHz. Il segnale Wi-Fi è debole. Assicurati che il robot si trovi in un'area con una buona copertura Wi-Fi. Il robot potrebbe non essere pronto per essere configurato. Esci e rientra nell'app, quindi riprova come indicato. |
| Il robot non riesce a trovare e tornare alla stazione di base. | La stazione di base è scollegata dall'alimentazione o spostata quando il robot non è su di essa. Ci sono troppi ostacoli intorno alla stazione di base. Posiziona la stazione di base in un'area più aperta. Lo spostamento del robot può causare il suo riposizionamento e ricreare una mappa se il riposizionamento fallisce. Se il robot è troppo lontano dalla stazione di base, potrebbe non essere in grado di tornare automaticamente da solo, nel qual caso dovrai posizionare manualmente il robot sulla stazione di base. Pulisci l'area di segnalazione sulla stazione di base per rimuovere polvere o detriti. |
| Il robot si blocca davanti alla stazione di base e non può tornare su di essa. | Elimina qualsiasi ostruzione entro 0,5 m sui lati sinistro e destro o entro 1,5 m davanti alla stazione di base per evitare che il robot venga bloccato. Il percorso per tornare alla ricarica è bloccato, ad es. la porta è chiusa. Il robot potrebbe scivolare se il pavimento davanti alla stazione di base è eccessivamente bagnato. In tal caso, pulisci l'acqua in eccesso prima di riprovare. Si consiglia di spostare la stazione di base in un luogo diverso e riprova. |

Problemi comuni

| Problema | Soluzione |
|--|---|
| Il robot non si spegnerà. | Il robot non può essere spento quando è in ricarica. Si consiglia di spostare il robot dalla stazione di base, quindi premi e tieni premuto il pulsante di accensione per tre secondi per spegnerlo. Se il robot non può essere spento eseguendo il passo 1, premi e tieni premuto il pulsante (⏻) per 10 secondi per spegnere forzatamente il robot. Se il problema persiste, per favore contatta il servizio post-vendita. |
| La velocità di ricarica è lenta. | Ci vogliono circa 6,5 ore per ricaricare completamente il robot quando la batteria è scarica. Se usi il robot a temperature al di fuori dell'intervallo specificato, la velocità di ricarica rallenterà automaticamente per prolungare la durata della batteria. I contatti di ricarica sia sul robot che sulla base potrebbero essere sporchi, per favore puliscili con un panno asciutto. |
| Il rumore aumenta mentre il robot è in funzione. | Controlla se il filtro del contenitore della polvere è intasato. In tal caso, puliscilo o sostituisilo Un oggetto duro potrebbe rimanere intrappolato nella spazzola in gomma multisuperficie o nel contenitore della polvere. Controlla e rimuovi qualsiasi oggetto duro. La spazzola in gomma multisuperficie o la spazzola laterale potrebbero aggrovigliarsi. Controlla e rimuovi eventuali oggetti estranei. Commuta la modalità di aspirazione su Standard o Silenzioso. |
| Il robot si muove senza seguire il percorso impostato. | Oggetti come cavi di alimentazione e pantofole devono essere organizzati prima di usare il robot. Funziona su superfici bagnate e scivolose provoca lo slittamento della ruota principale. Si consiglia di asciugare i luoghi bagnati prima di usare il robot. |
| Al robot mancano le stanze da pulire. | Assicurati che le porte delle stanze da pulire siano aperte. Controlla se c'è una soglia superiore a 2 cm alla porta della stanza. Il robot non può superare soglie o gradini alti. Il luogo davanti alla stanza da pulire è bagnato e scivoloso, causando lo scivolamento del robot e il suo funzionamento anomalo. Si consiglia di asciugare il pavimento prima di usare il robot. |

| Problema | Soluzione |
|--|--|
| Il robot non riprenderà la pulizia dopo la ricarica. | Assicurati che il robot non sia impostato sulla modalità Non Disturbare (DND), che gli impedirà di riprendere la pulizia. Il robot non riprenderà la pulizia dopo che avrai riportato manualmente il robot alla stazione di base per la ricarica, che include il posizionamento manuale del robot sulla stazione di base o l'invio del robot alla ricarica tramite l'app o il robot stesso. |
| La stazione non può svuotare automaticamente il contenitore della polvere. | Controlla se il sacchetto di raccolta della polvere nell'armadio per la polvere è pieno. Se il sacchetto di raccolta della polvere non è pieno, controlla se ci sono eventuali ostruzioni negli sfiati di svuotamento automatico del robot, della stazione di base o del contenitore della polvere. Se presente, pulisci in tempo la parte bloccata. |
| Il livello dell'acqua nell'asse per lavare è anomalo. | Controlla se la guarnizione del serbatoio dell'acqua usata è allentata o non è installata correttamente e, in tal caso, ripristinala manualmente. Premi delicatamente sul serbatoio dell'acqua usata per assicurarti che sia installato correttamente. Rimuovi l'asse per lavare e controlla se lo scarico delle acque reflue è ostruito e puliscilo. Controlla il detergente. Non aggiungere liquidi diversi dal detergente ufficialmente approvato. Se il problema persiste, per favore contatta il team di servizio post-vendita. |

Per servizi aggiuntivi, per favore contattaci tramite aftersales@dreame.tech
Sito web: <https://global.dreame.tech>

Specifiche tecniche

Robot

| | |
|---------------------------|---------------------|
| Modello | RLS6LADC-6 |
| Tempo di ricarica | Circa 6,5 ore |
| Tensione nominale | 14,4 V --- |
| Potenza nominale | 75 W |
| Frequenza d'esercizio | 2400-2483,5 MHz |
| Potenza in uscita massima | <20 dBm |

| | | | | | | | |
|---|---------|---------|-----------|-----------|-------|-----------|-----------|
| Scatola | Manuale | Manuale | Pellicola | Pellicola | Borsa | Maniglia | Pellicola |
| PAP 20 | PAP 21 | PAP 22 | PVC 3 | PET 1 | CPE 7 | PE 4/PP 5 | PP 5 |
| Carta | | | Plastica | | | | |
| RACCOLTA DIFFERENZIATA | | | | | | | |
| Verifica le disposizioni del tuo Comune. Separa le componenti e conferiscile in modo corretto. | | | | | | | |

Informazioni RAEE



Tutti i prodotti contrassegnati da questo simbolo sono rifiuti di apparecchiature elettriche ed elettroniche (RAEE in base alla direttiva 2012/19/UE) che non devono essere smaltiti assieme a rifiuti domestici non differenziati. Al contrario, è necessario proteggere l'ambiente e la salute umana consegnando i rifiuti a un punto di raccolta autorizzato al riciclaggio di rifiuti di apparecchiature elettriche ed elettroniche, predisposto dalla pubblica amministrazione o dalle autorità locali. Lo smaltimento e il riciclaggio corretti aiutano a prevenire conseguenze potenzialmente negative all'ambiente e alla salute umana. Contattare l'installatore o le autorità locali per ulteriori informazioni sulla sede e per i termini e le condizioni di tali punti di raccolta.

Stazione di Base

| | |
|--|-----------------------|
| Modello | RCS9-5 |
| Ingresso nominale | 220-240 V~ 50-60 Hz |
| Uscita nominale | 20 V --- 2 A |
| Potenza (durante lo svuotamento della polvere) | 1000 W |
| Potenza (durante la pulizia) | 55 W |
| Potenza (asciugatura + ricarica) | 78 W |

In condizioni d'uso normali, questa apparecchiatura deve essere tenuta a una distanza minima di 20 cm tra l'antenna e il corpo dell'utente.