

# AEG

## PS254DBE

Original instructions

Übersetzung der Originalanleitung

Traduction de la notice originale

Traduzione delle istruzioni originali

Traducción del manual original

Tradução do manual original

Vertaling van de originele instructies

Oversættelse af den originale brugsanvisning

Oversættelse av de originale instruksjonene

Översättning av originalinstruktionerna

Alkuperäisten ohjeiden käännös

Μετάφραση των πρωτότυπων οδηγιών

Orijinal talimatların çevirileri

Překlad původního návodu k obsluze

Preklad originálu pokynov

Tłumaczenie oryginalnej instrukcji

Az eredeti útmutató fordítása

Prevod originalnih navodil

Prijevod originalnih uputa

Originālo instrukciju tulkojums

Originalių instrukcijų vertimas

Originaaljuhendi tõlge

Перевод оригинальных инструкций

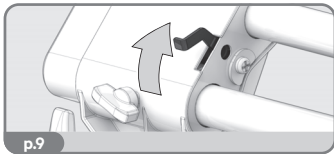
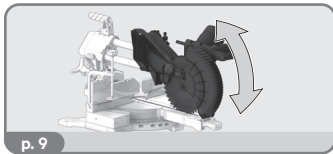
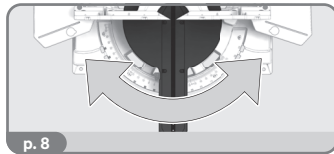
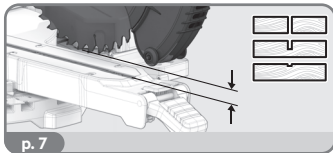
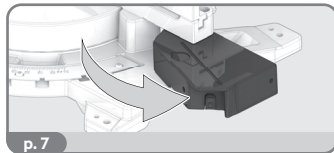
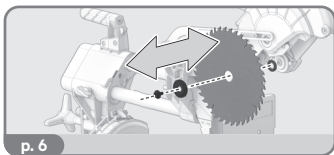
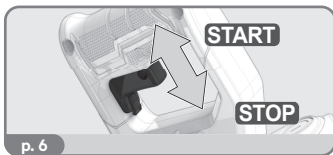
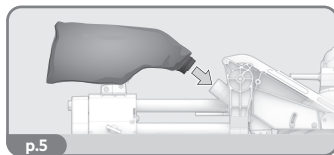
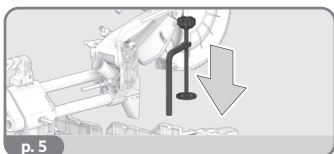
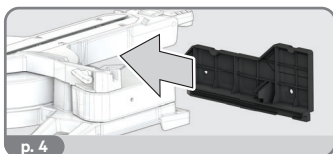
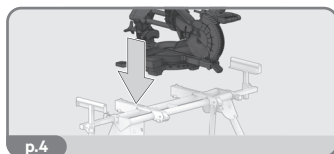
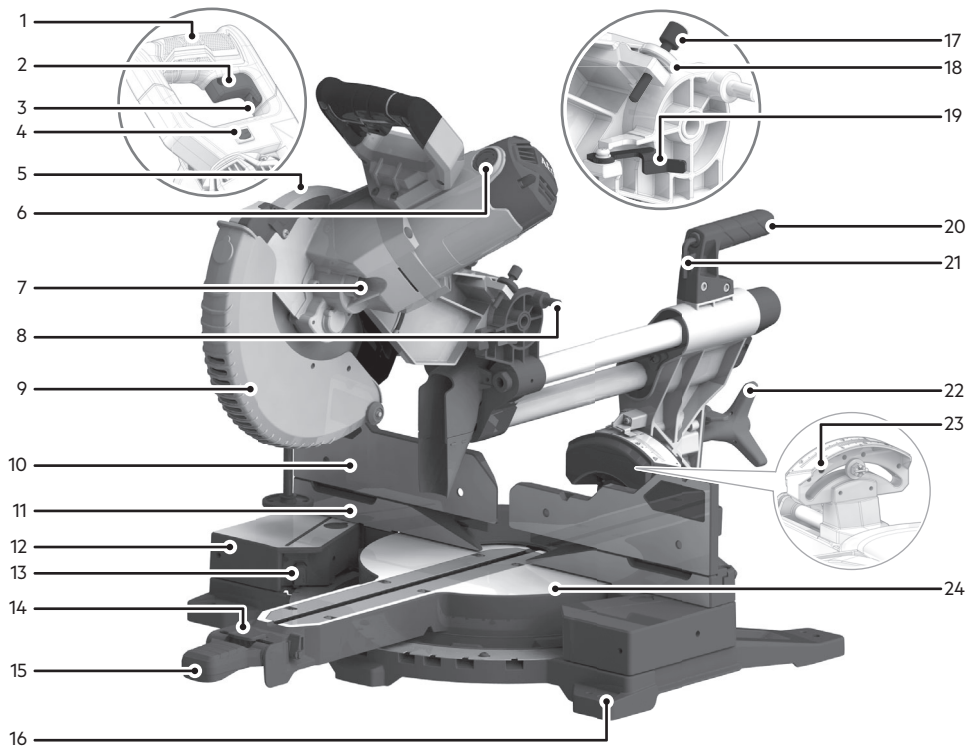
Превод на оригиналните инструкции

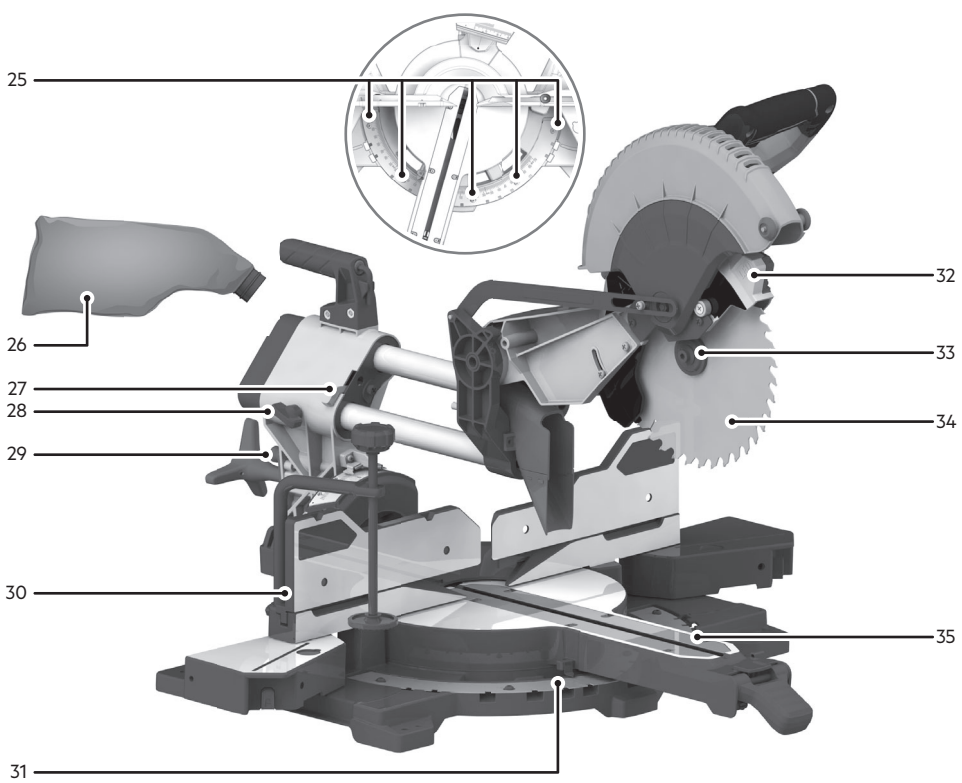
Traducerea instrucțiunilor originale



Преводи на оригиналните упатства

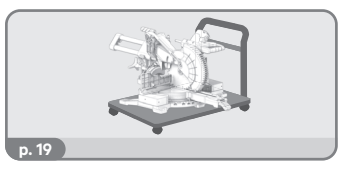
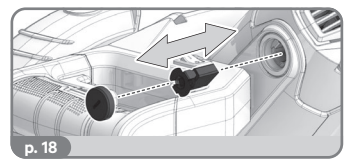
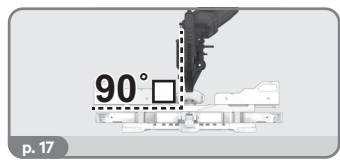
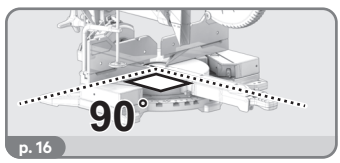
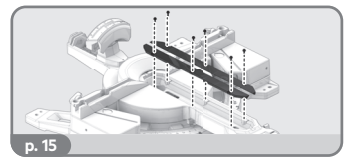
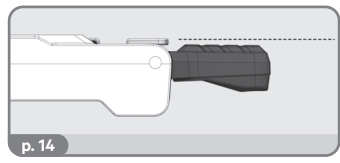
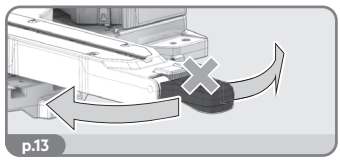
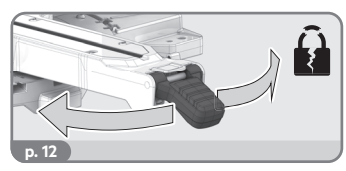
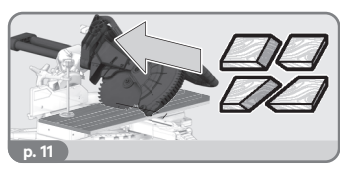
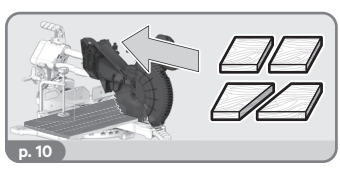
Переклад оригінальних інструкцій

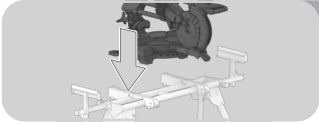
ترجمة تعليمات النسخة الأصلية



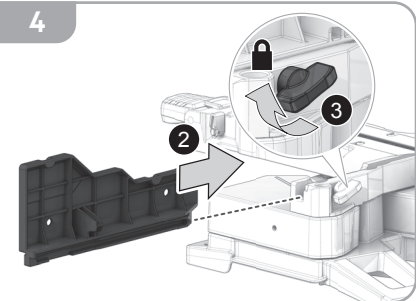
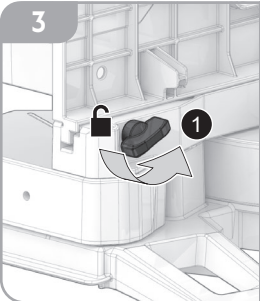
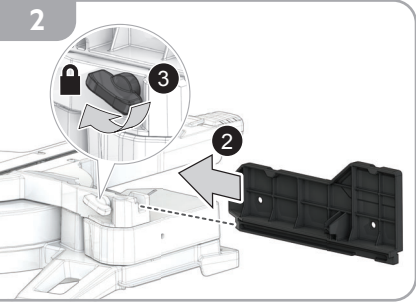
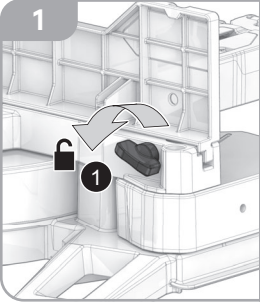
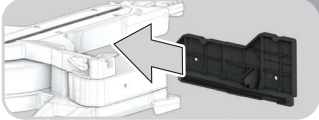
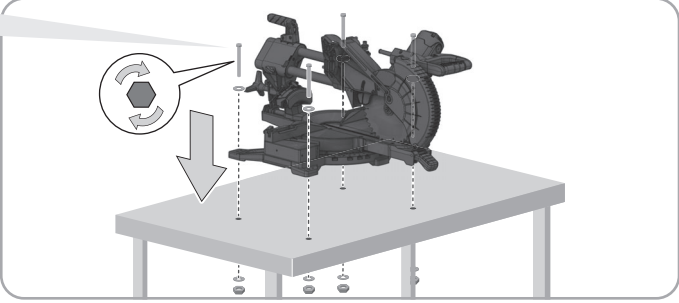
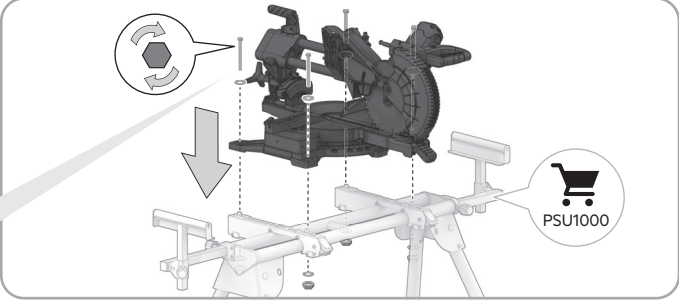


- 
- EN
- DE
- FR
- IT
- ES
- PT
- NL
- DA
- NO
- SV
- FI
- EL
- TR
- CS
- SK
- PL
- HU
- SL
- HR
- LV
- LT
- ET
- RU
- BG
- RO
- MK
- UK
- AR
- 

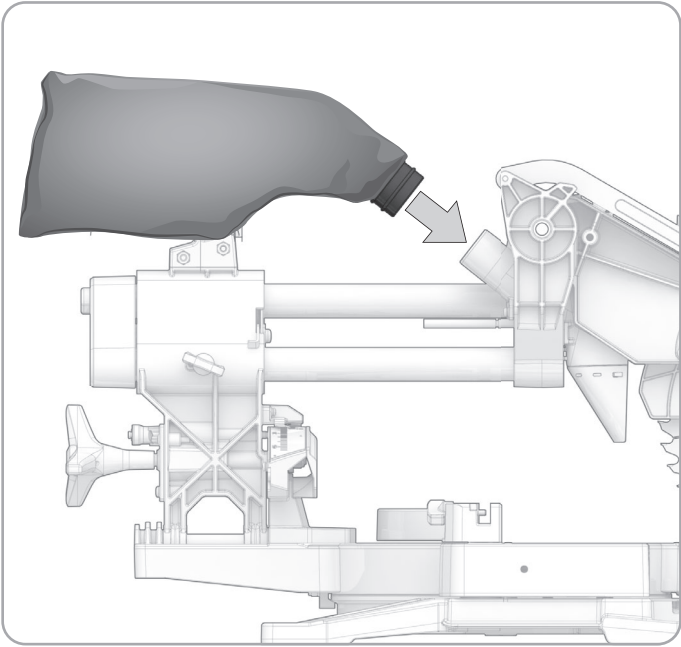
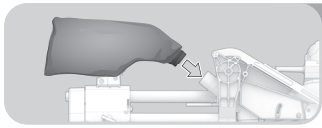
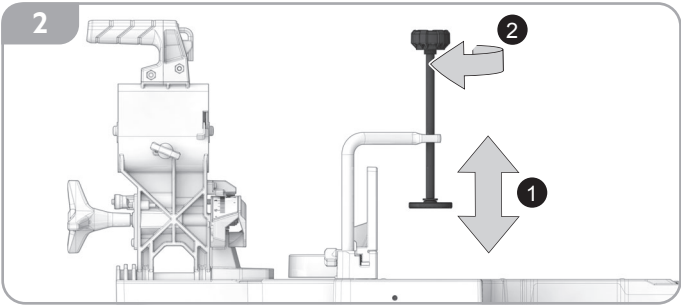
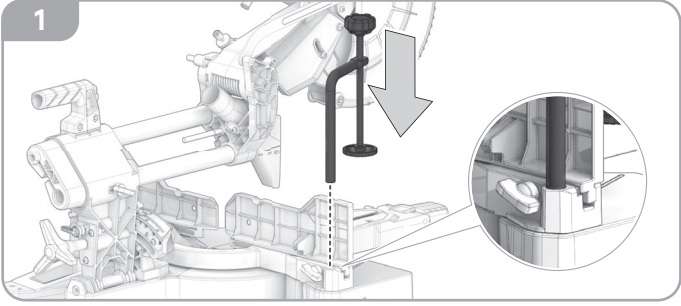
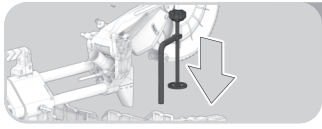




-   M8 x4
-  M8 x8
-  M8 x4

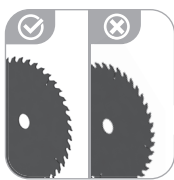
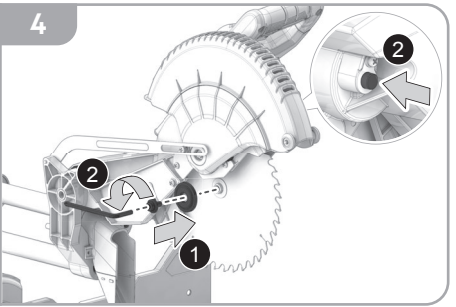
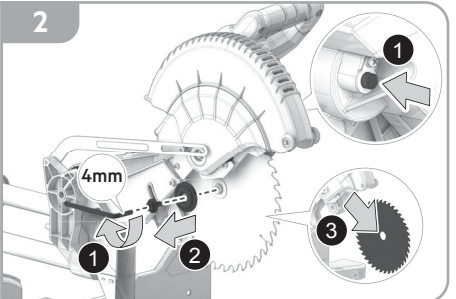
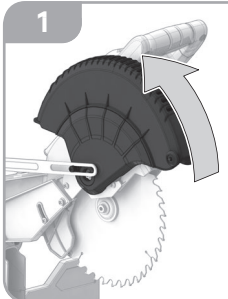
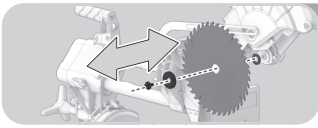
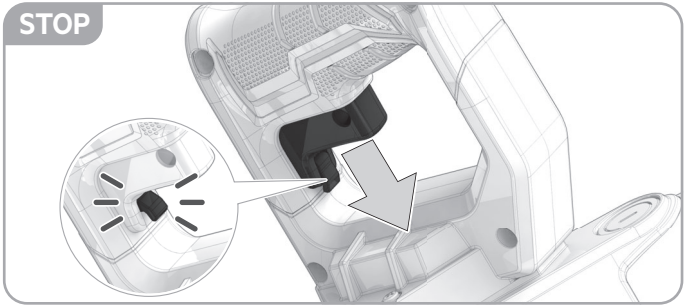
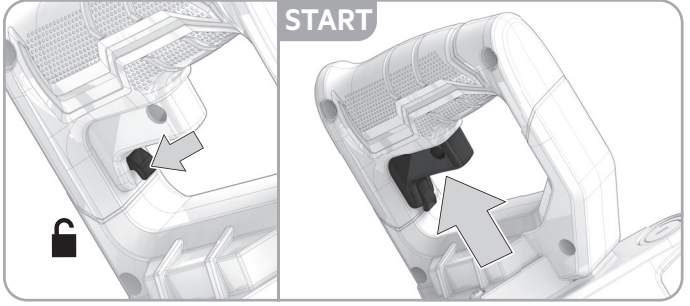
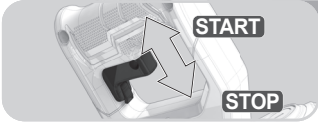


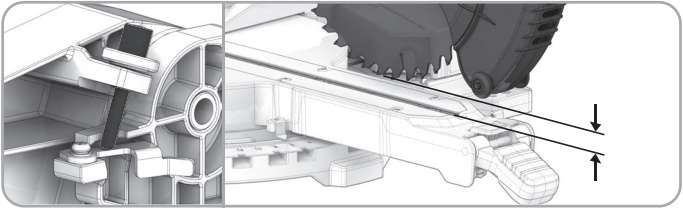
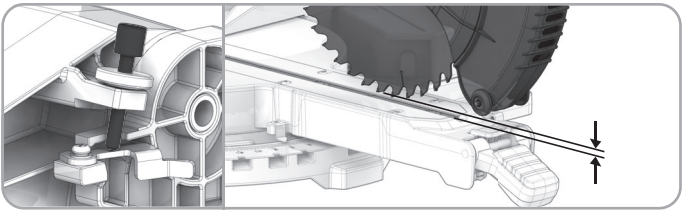
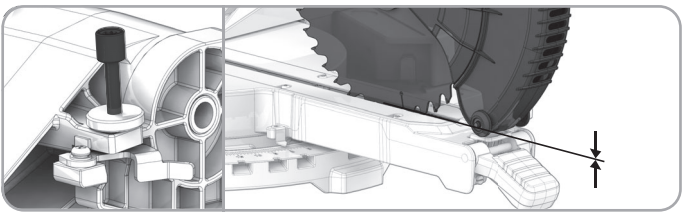
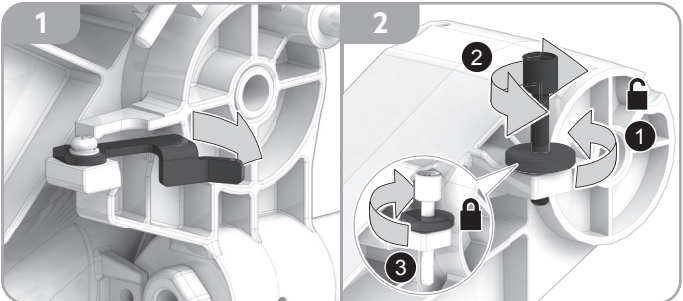
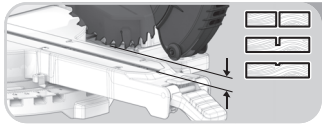
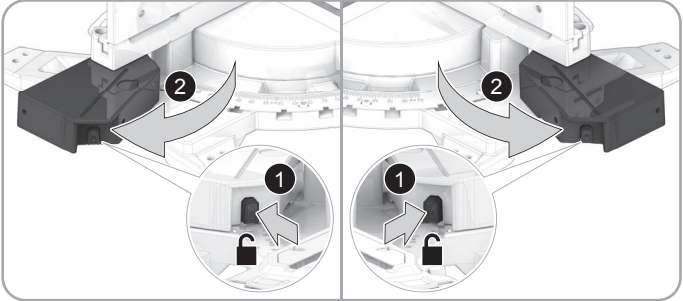
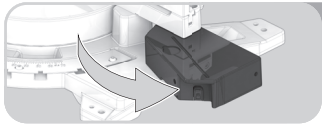





-  EN
- DE
- FR
- IT
- ES
- PT
- NL
- DA
- NO
- SV
- FI
- EL
- TR
- CS
- SK
- PL
- HU
- SL
- HR
- LV
- LT
- ET
- RU
- BG
- RO
- MK
- UK
- AR
- 

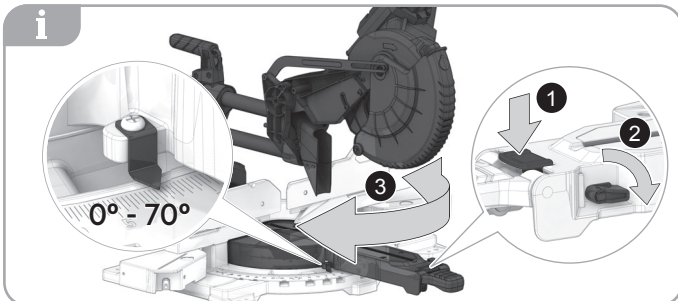
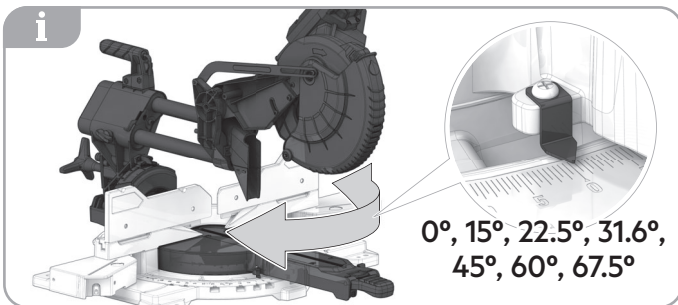
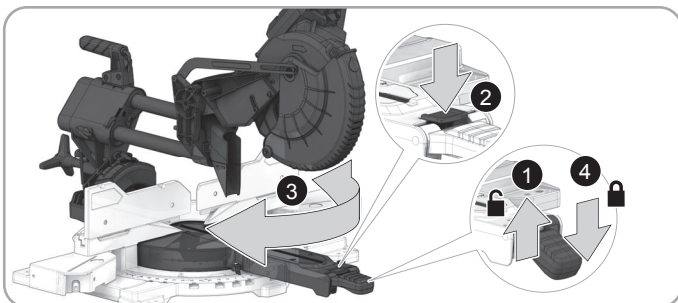
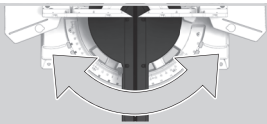
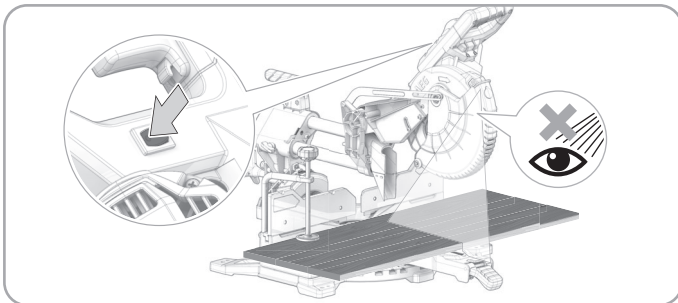


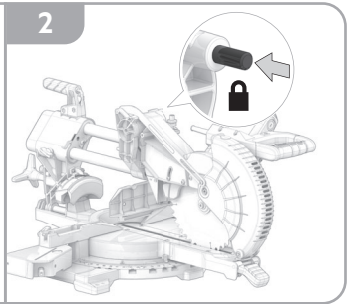
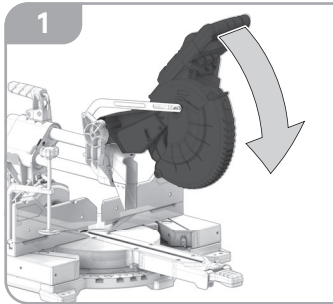
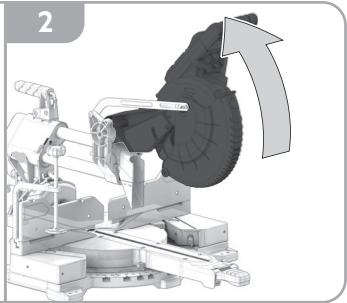
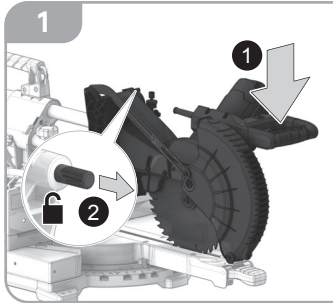
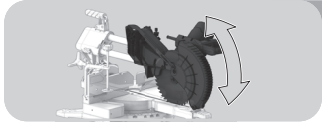




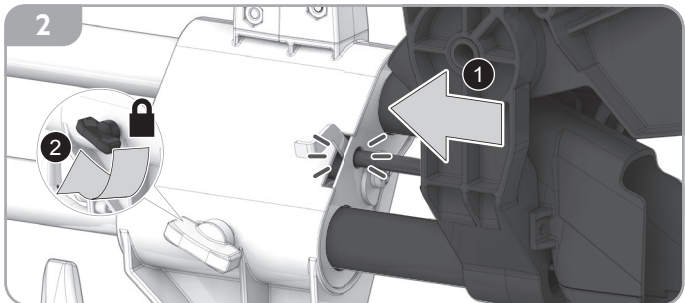
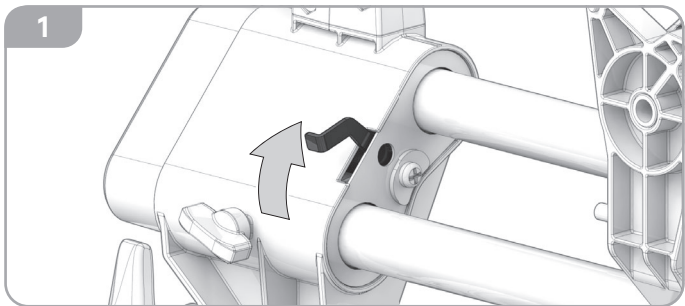
-  EN
- DE
- FR
- IT
- ES
- PT
- NL
- DA
- NO
- SV
- FI
- EL
- TR
- CS
- SK
- PL
- HU
- SL
- HR
- LV
- LT
- ET
- RU
- BG
- RO
- MK
- UK
- AR
- 



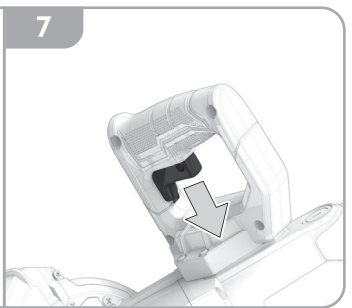
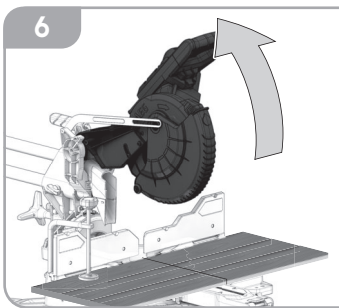
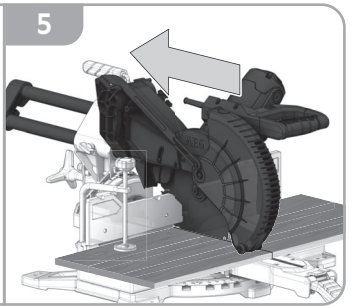
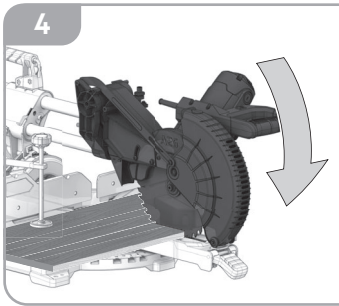
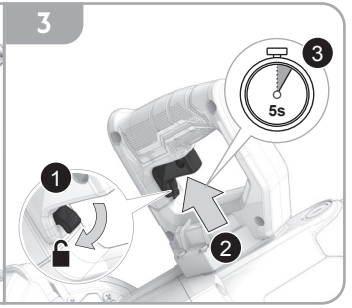
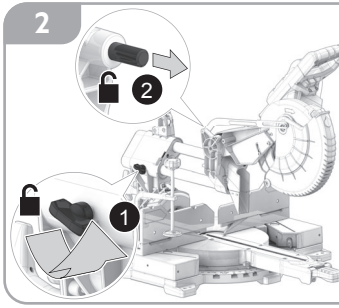
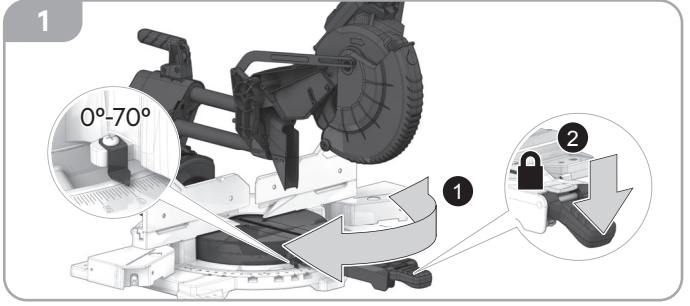
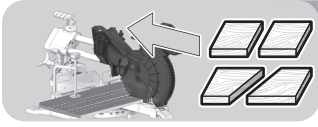


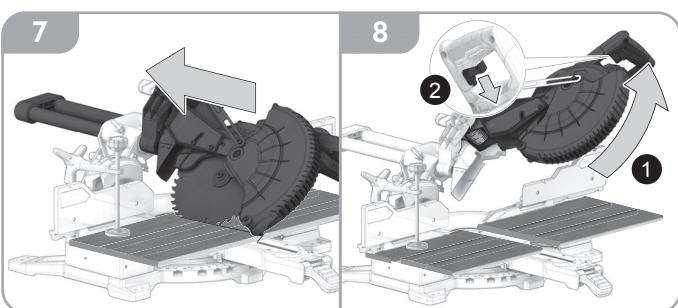
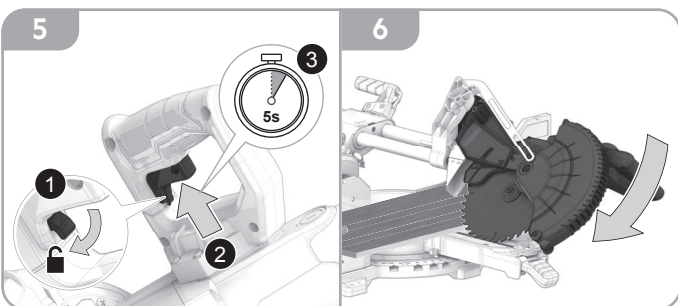
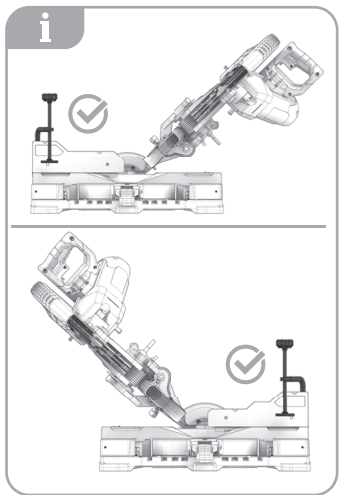
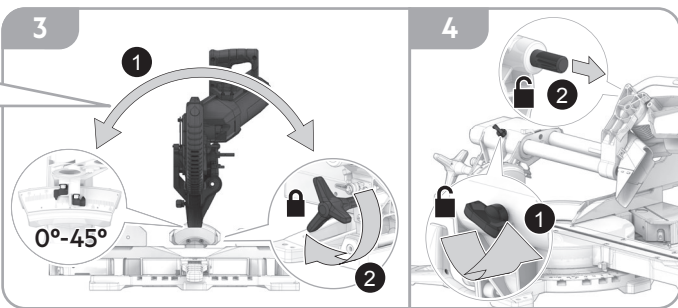
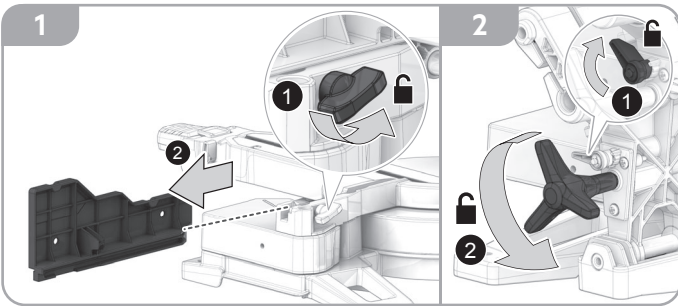
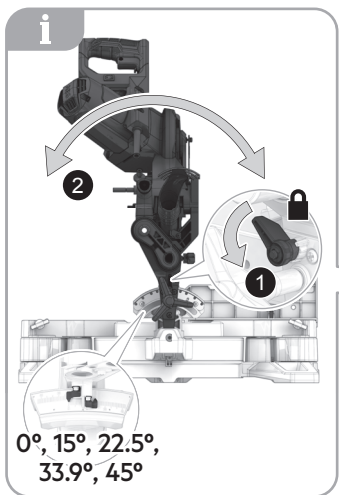


-  EN
- DE
- FR
- IT
- ES
- PT
- NL
- DA
- NO
- SV
- FI
- EL
- TR
- CS
- SK
- PL
- HU
- SL
- HR
- LV
- LT
- ET
- RU
- BG
- RO
- MK
- UK
- AR
- 





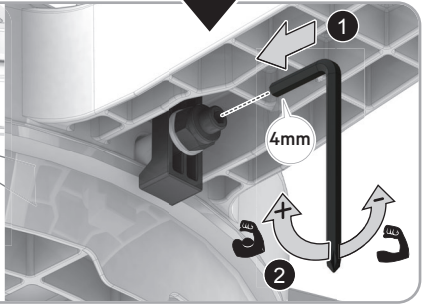
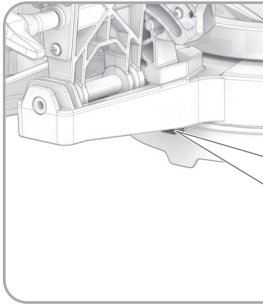
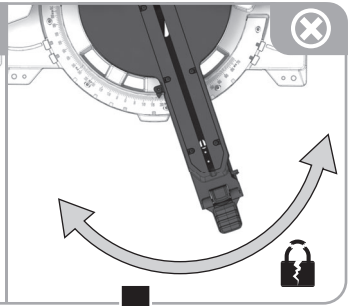
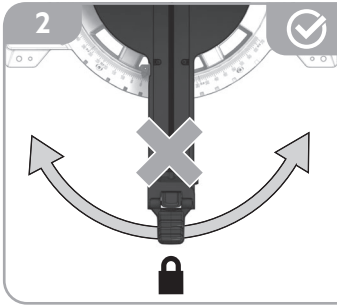
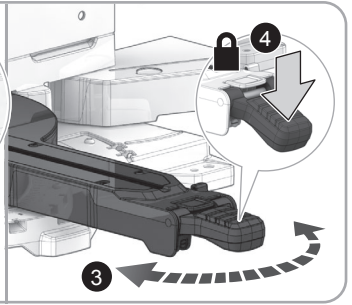
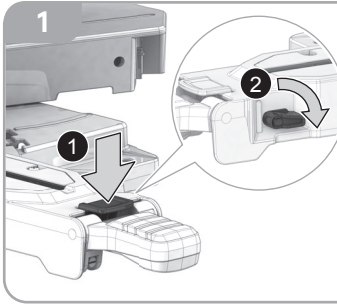
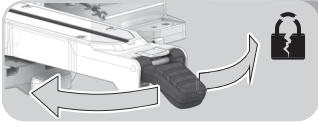


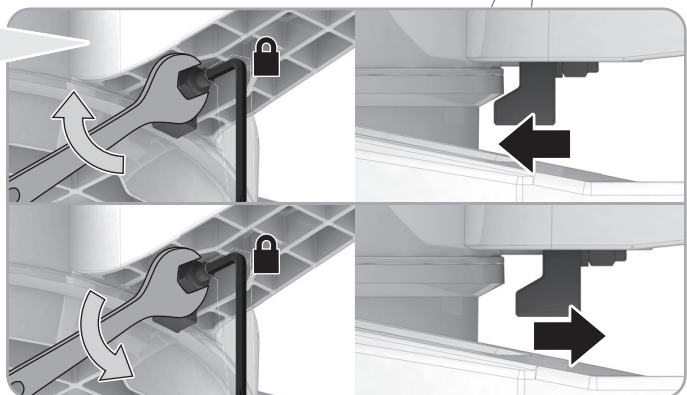
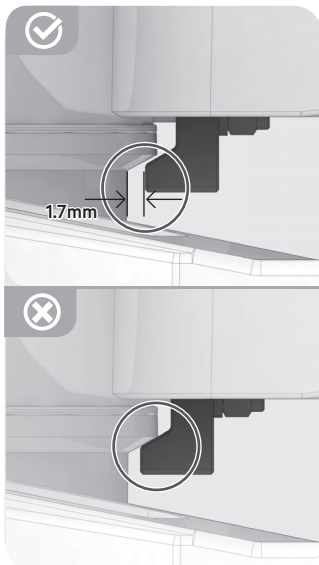
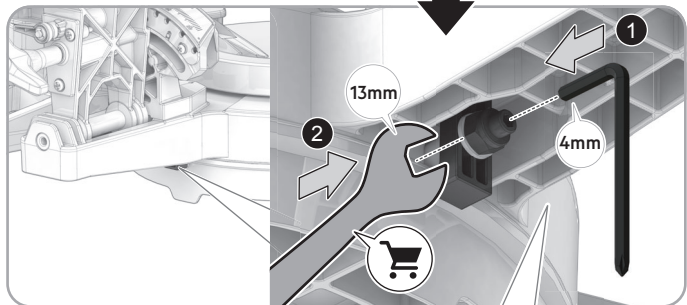
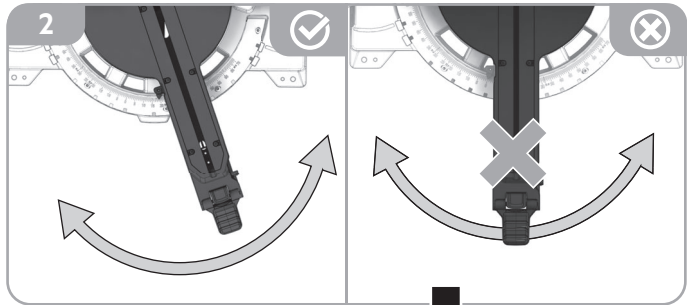
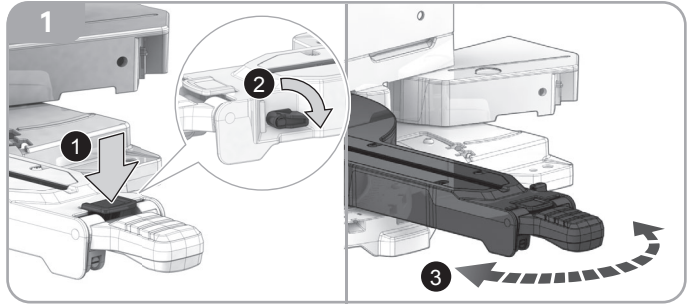
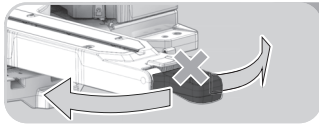


- EN
- DE
- FR
- IT
- ES
- PT
- NL
- DA
- NO
- SV
- FI
- EL
- TR
- CS
- SK
- PL
- HU
- SL
- HR
- LV
- LT
- ET
- RU
- BG
- RO
- MK
- UK
- AR
- i**

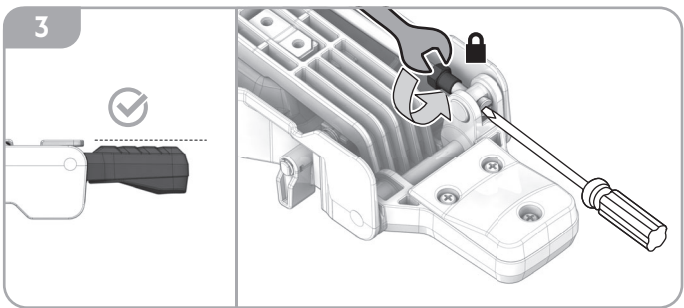
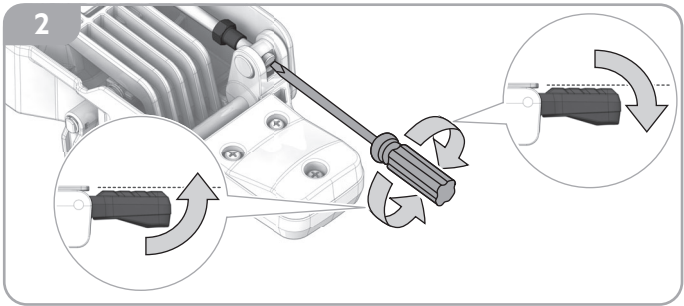
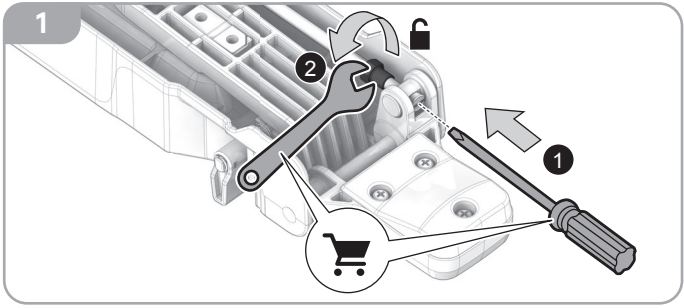
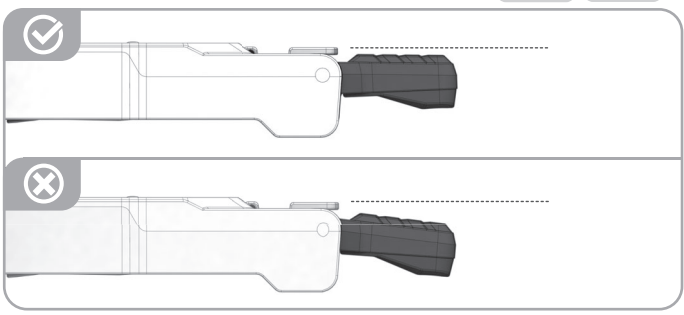
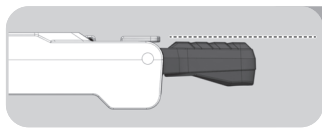


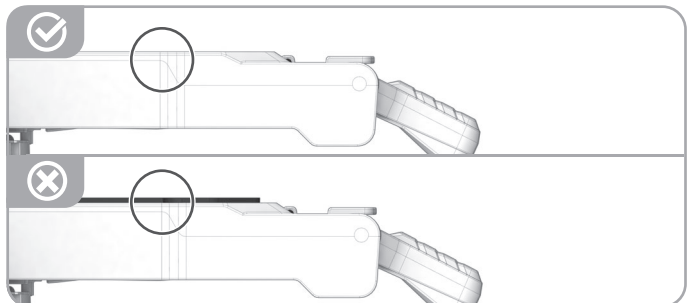
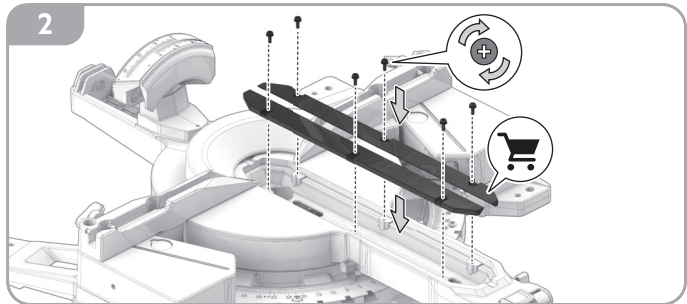
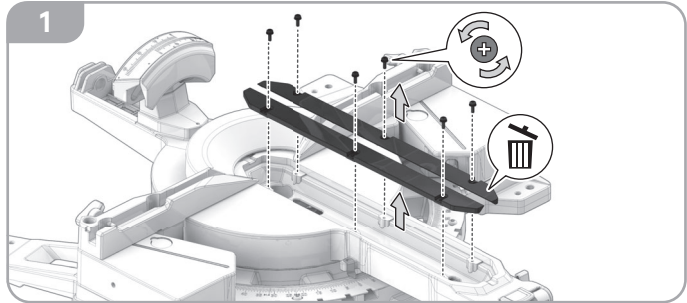
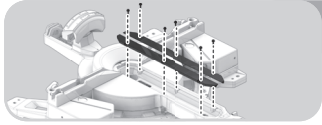




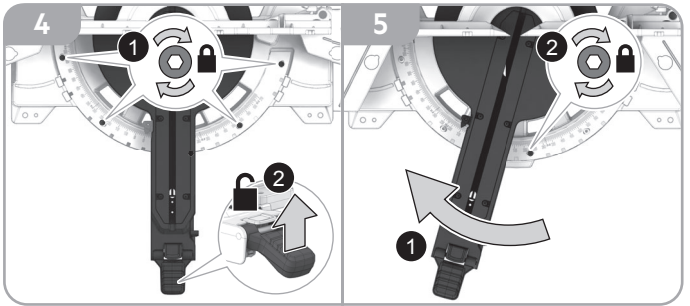
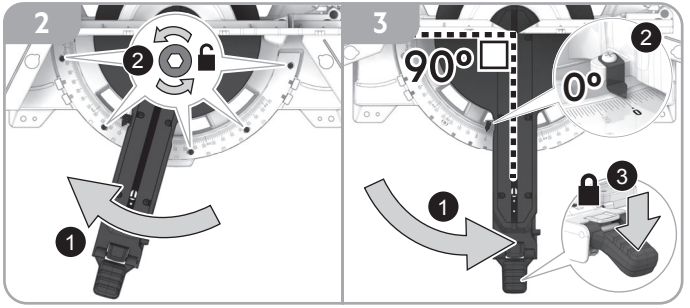
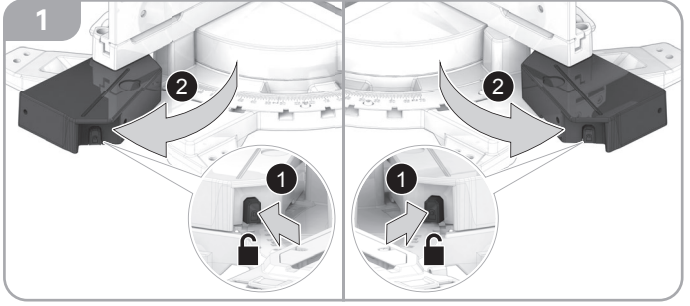
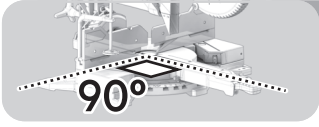


-  EN
- DE
- FR
- IT
- ES
- PT
- NL
- DA
- NO
- SV
- FI
- EL
- TR
- CS
- SK
- PL
- HU
- SL
- HR
- LV
- LT
- ET
- RU
- BG
- RO
- MK
- UK
- AR
-  i

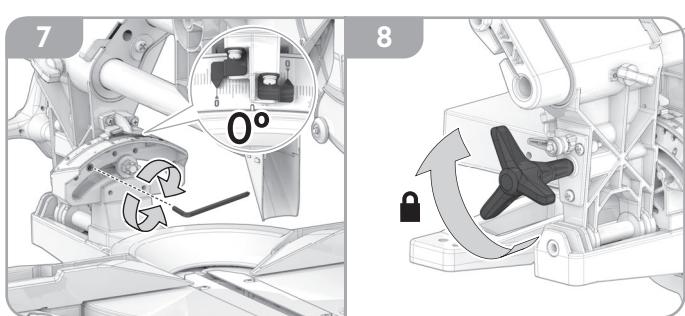
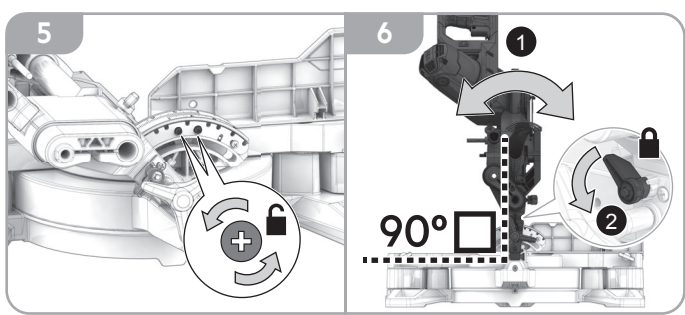
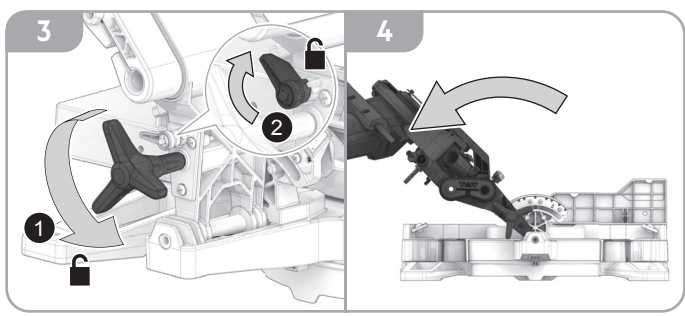
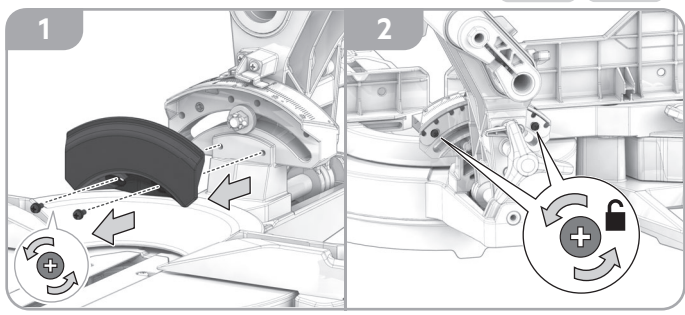
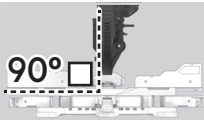




- EN
- DE
- FR
- IT
- ES
- PT
- NL
- DA
- NO
- SV
- FI
- EL
- TR
- CS
- SK
- PL
- HU
- SL
- HR
- LV
- LT
- ET
- RU
- BG
- RO
- MK
- UK
- AR
- i**



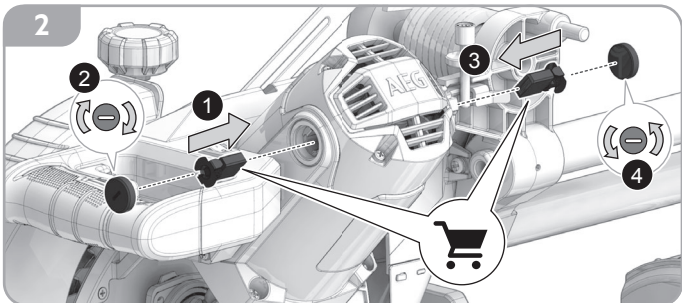
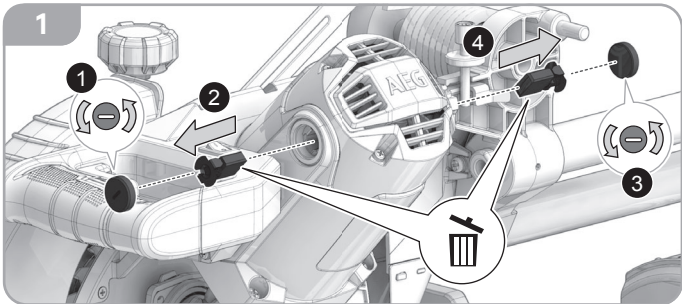
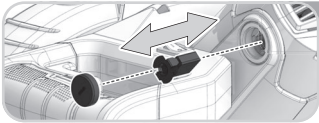
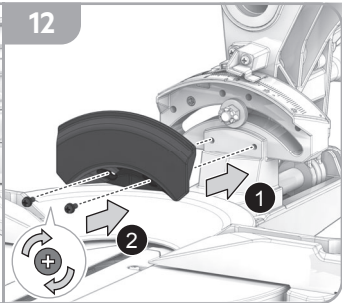
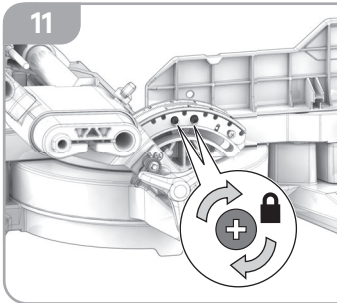
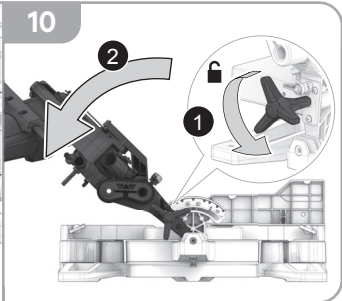
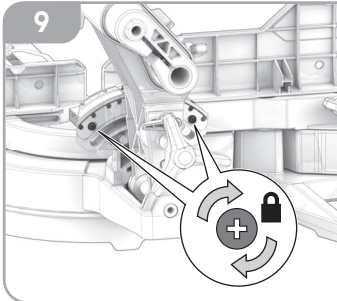
90°



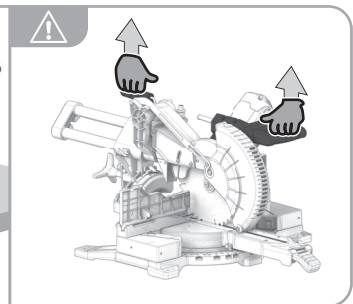
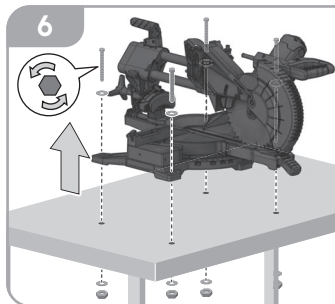
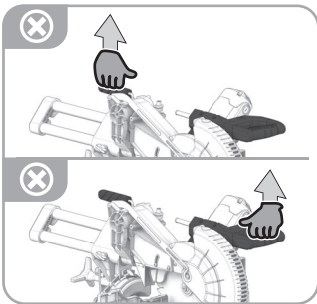
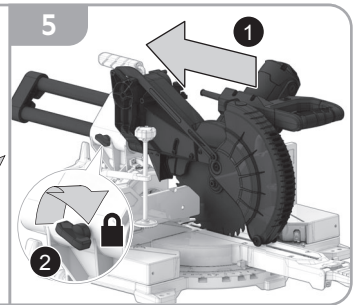
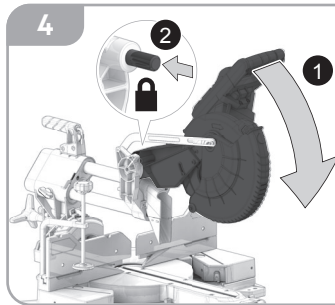
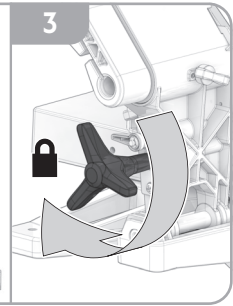
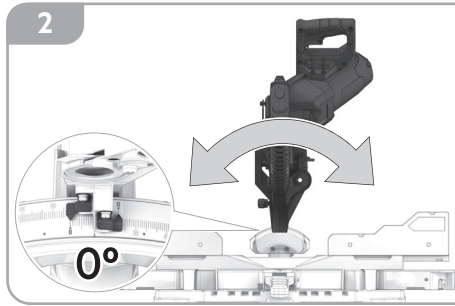
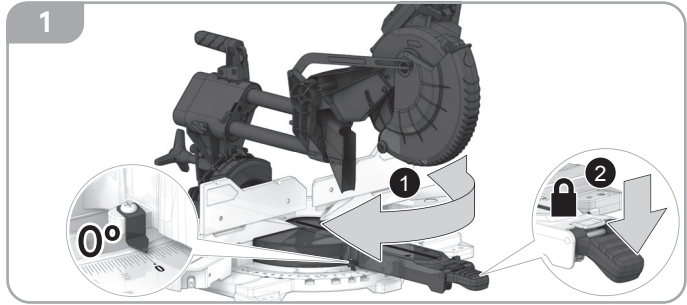
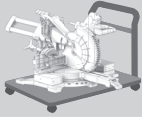
- EN
- DE
- FR
- IT
- ES
- PT
- NL
- DA
- NO
- SV
- FI
- EL
- TR
- CS
- SK
- PL
- HU
- SL
- HR
- LV
- LT
- ET
- RU
- BG
- RO
- MK
- UK
- AR
-



90°







- 
- EN
- DE
- FR
- IT
- ES
- PT
- NL
- DA
- NO
- SV
- FI
- EL
- TR
- CS
- SK
- PL
- HU
- SL
- HR
- LV
- LT
- ET
- RU
- BG
- RO
- MK
- UK
- AR
-

## EN ORIGINAL INSTRUCTIONS

### SPECIFIED CONDITIONS OF USE

The mitre saw is intended for sawing solid and bonded wood, materials similar to wood, with or without glued veneer and plastics. The mitre saw is intended to be used only by adult operators who have read the instruction manual and understand the risks and hazards.

The mitre saw is designed to be fixed at the base to a solid bench top. If the base is not securely fixed, the whole machine may move during cutting operations, which increases the possibility of serious personal injury.

The mitre saw is designed to make bevel and mitre cuts. The capacities for the various cuts are provided in the product specifications in this manual.

The mitre saw is to be used in dry conditions, with excellent ambient lighting and adequate ventilation.

The mitre saw is intended for consumer use and should only be used as described above and is not intended for any other purpose.

Do not use the product for any other purpose.

**⚠ WARNING! Read all safety warnings, instructions, illustrations and specifications provided with this power tool.** Failure to follow all instructions listed below may result in electric shock, fire and/or serious injury.

**Save all warnings and instructions for future reference.**

### SAFETY INSTRUCTIONS FOR MITRE SAWS

**Mitre saws are intended to cut wood or wood-like products, they cannot be used with abrasive cut-off wheels for cutting ferrous material such as bars, rods, studs, etc.** Abrasive dust causes moving parts such as the lower guard to jam. Sparks from abrasive cutting will burn the lower guard, the kerf insert and other plastic parts.

**Use clamps to support the workpiece whenever possible. If supporting the workpiece by hand, you must always keep your hand at least 100 mm from either side of the saw blade. Do not use this saw to cut pieces that are too small to be securely clamped or held by hand.** If your hand is placed too close to the saw blade, there is an increased risk of injury from blade contact.

**The workpiece must be stationary and clamped or held against both the fence and the table. Do not feed the workpiece into the blade or cut "freehand" in any way.** Unrestrained or moving workpieces could be thrown at high speeds, causing injury.

**Push the saw through the workpiece. Do not pull the saw through the workpiece.** To make a cut, raise the saw head and pull it out over the workpiece without cutting, start the motor, press the saw head down and push the saw through the workpiece. Cutting on the pull stroke is likely to cause the saw blade to climb on top of the workpiece and violently throw the blade assembly towards the operator.

**Never cross your hand over the intended line of cutting either in front or behind the saw blade.** Supporting the workpiece "cross handed" i.e. holding the workpiece to the right of the saw blade with your left hand or vice versa is very dangerous.

**Do not reach behind the fence with either hand closer than 100 mm from either side of the saw blade, to remove wood scraps, or for any other reason while the blade is spinning.** The proximity of the spinning saw blade to your hand may not be obvious and you may be seriously injured.

**Inspect your workpiece before cutting. If the workpiece is bowed or warped, clamp it with the outside bowed face toward the fence. Always make certain that there is no gap between the workpiece, fence and table along the line of the cut.** Bent or warped workpieces can twist or shift and may cause binding on the spinning saw blade while cutting. There should be no nails or foreign objects in the workpiece.

**Do not use the saw until the table is clear of all tools, wood scraps, etc., except for the workpiece.** Small debris or loose pieces of wood or other objects that contact the revolving blade can be thrown with high speed.

**Cut only one workpiece at a time.** Stacked multiple workpieces cannot be adequately clamped or braced and may bind on the blade or shift during cutting.

**Ensure the mitre saw is mounted or placed on a level, firm work surface before use.** A level and firm work surface reduces the risk of the mitre saw becoming unstable.

**Plan your work. Every time you change the bevel or mitre angle setting, make sure the adjustable fence is set correctly to support the workpiece and will not interfere with the blade or the guarding system.** Without turning the tool "ON" and with no workpiece on the table, move the saw blade through a complete simulated cut to assure there will be no interference or danger of cutting the fence.

**Provide adequate support such as table extensions, saw horses, etc. for a workpiece that is wider or longer than the table top.** Workpieces longer or wider than the mitre saw table can tip if not securely supported. If the cut-off piece or workpiece tips, it can lift the lower guard or be thrown by the spinning blade.

**Do not use another person as a substitute for a table extension or as additional support.** Unstable support for the workpiece can cause the blade to bind or the workpiece to shift during the cutting operation pulling you and the helper into the spinning blade.

**The cut-off piece must not be jammed or pressed by any means against the spinning saw blade.** If confined, i.e. using length stops, the cut-off piece could get wedged against the blade and thrown violently.

**Always use a clamp or a fixture designed to properly support round material such as rods or tubing.** Rods have a tendency to roll while being cut, causing the blade to "bite" and pull the work with your hand into the blade.

**Let the blade reach full speed before contacting the workpiece.** This will reduce the risk of the workpiece being thrown.

**If the workpiece or blade becomes jammed, turn the mitre saw off. Wait for all moving parts to stop and disconnect the plug from the power source and/or remove the battery pack. Then work to free the jammed material.** Continued sawing with a jammed workpiece could cause loss of control or damage to the mitre saw.

**After finishing the cut, release the switch, hold the saw head down and wait for the blade to stop before removing the cut-off piece.** Reaching with your hand near the coasting blade is dangerous.

**Hold the handle firmly when making an incomplete cut or when releasing the switch before the saw head is completely in the down position.** The braking action of the saw may cause the saw head to be suddenly pulled downward, causing a risk of injury.

### SAFETY INSTRUCTIONS FOR WOOD CUTTING BLADE

Please read the manual and instructions carefully before using the saw blade and the machine.

The product must be in good condition, the spindle without deformation and vibration.

Do not use the product without the guards in position. Keep guards in good working order and properly maintained.

Ensure the operator is adequately trained in safety precautions, adjustment and operation of the product.

Always wear goggles and ear protection when using the product. It is recommended to wear gloves, sturdy non slipping shoes and apron.

Before using any accessory, consult the instruction manual. The improper use of an accessory can cause damage and increase the potential for injury.

Use only blades specified in this manual, complying with EN 847-1.

Observe the maximum speed marked on the saw blade. Ensure the speed marked on the saw blade is at least equal to the speed marked on the saw.

Always use blades with correct size and shape of arbour holes. Blades that do not match the mounting hardware of the saw will run eccentrically, causing loss of control.

Do not use blades of larger or smaller diameter than recommended. Do not use any spacers to make the blade fit onto the spindle.

Check the tips of the saw blade for damage or abnormal appearance before each use. Tips that are damaged or loose can



become flying objects in use and increase the chance of personal injury.

Do not use cracked or distorted saw blades. Do not use saw blades that are damaged or deformed.

Scrap the saw blade if damaged, deformed, distorted or cracked, repairing is not permitted.

Do not use HSS blades.

Ensure the saw blade is mounted correctly, tighten the arbor nut securely before use (tightening torque approx. 12 Nm).

Fastening screw and nuts shall be tightened using the appropriate spanner, etc.

Extension of the spanner or tightening using hammer blows is not permitted.

Make sure the blade and flanges are clean and the recessed sides of the collar are against the blade.

Make sure the blade rotates in the correct direction.

Before work, make a dummy cut without the motor turned on so the position of the blade, operation of the guards with respect to other machine parts and workpiece may be checked.

Never leave the product unattended.

Do not apply lubricants on the blade when it is running.

Never perform any cleaning or maintenance work when the machine is still running and the head is not in the rest position.

Never attempt to stop a machine in motion rapidly by jamming a tool or other means against the blade, serious accidents can be caused unintentionally in this way.

Disconnect the product from the mains supply or remove battery pack before changing blades or carrying out maintenance.

Pay attention to blade packing and unpacking, it is easy to be injured by the sharp blade tips.

Use a blade holder or wear gloves when handling a saw blade.

Keep and store the blade in original packaging or other suitable packaging, keep in dry conditions and away from chemicals which may damage the blade.

## ADDITIONAL SAFETY AND WORKING INSTRUCTIONS

Always clamp the workpiece safely and securely.

Ensure that the product is always stable and secure (e.g., fixed to a bench).

Always wear ear protectors. Exposure to noise can cause hearing loss.

Always wear safety goggles when using the product. It is recommended to wear gloves for handling blades and rough material, plus sturdy non slip shoes to protect the feet from workpieces which may fall from the cutting area.

Disconnect the product from the mains supply or remove battery pack before carrying out any maintenance or cleaning the product.

Only connect to the mains supply when the product is switched off.

Keep the mains lead clear from the working range of the product. Keep it out of the area the operator stands in.

Never reach into the area near the blade unless the blade has completely stopped.

Before use, thoroughly check the product, cable, and plug for any damage or material fatigue. Repairs to the whole product, including the power cable, should only be carried out by an authorised service centre.

Always use the guards on the product. Do not use the product if the guards are not in place and working correctly.

The lower blade guard should only open when the blade is lowered to the workpiece and must always be able to move freely and close automatically.

Always fix and use extension bars for workpiece support during operation.

Never alter or modify the product or its function. Your safety may be compromised.

Do not use saw blades which are cracked, damaged or deformed.

Do not use saw blades made of high-speed steel.

Only use blades that are sharp. Replace dull blades.

Always use blades with correct size and shape of arbour holes. Blades that do not match the mounting hardware of the saw will run eccentrically, causing loss of control.

Use only woodworking blades specified in this manual, which comply with EN 847-1.

Do not use any flanges, washers and nuts to secure the saw blade other than those supplied or indicated in the instruction manual.

It is necessary to select a saw blade which is suitable for the material being cut. Never use the product to cut materials other than those specified in the intended use section in this manual.

It is important to avoid overheating the blade and melting the plastic when cutting.

It is essential to adhere to the maximum speed specified on the saw blade, only use saw blade that are marked with a speed equal or higher than the speed marked on the tool.

Replace the table insert when worn or damaged.

Before work, make a dummy cut without the motor turned on so the position of the blade, operation of the guards with respect to other machine parts, and workpiece may be checked.

When performing mitre, bevel or compound mitre cuts, adjust the sliding fence or sub-fence to ensure the correct clearance from the blade.

Avoid uncontrolled release of the saw unit from the fully down position.

The handle lock must always be engaged when transporting the product.

The product should be stored at the zero degree mitre and bevel angle and locked in position. The handle should be locked in the lower (safe) position with the guards closed.

When transporting in a vehicle, set the product on its base and secure against movement.

Lift the product only by the handles provided for this purpose. Always use two hands to lift the product.

Keep the floor area free of loose materials, such as chips and cut-offs.

Refrain from removing any cut-offs or other parts of the workpiece from the cutting area whilst the product is running and the saw head is not in the rest position.

Long workpieces must be adequately supported. The working area of the saw includes the whole extent of the workpiece. The operator should secure this area from accidental contact from other persons or objects which may move the workpiece during operation.

The dust produced when using the product may be harmful to health. Use a dust suction system and wear a suitable dust protection mask. Remove deposited dust thoroughly with a vacuum cleaner.

It may be necessary to adjust the sliding fence to ensure proper clearance prior to making a bevel or compound cut. Make sure the sliding fence lock screw is tightened securely after the adjustment.

The clamp can be installed and used on either side of the blade. In some operation, the clamp may interfere with the blade guard assembly. Always make sure there is no interference with the blade guard prior to beginning any cutting operation to reduce the risk of serious personal injury.

**⚠ WARNING!** When performing 70° mitre cut, only 0° bevel angle is allowed.

The rotating extension tables can be set to one of the three positions, depending on the desired type of cut.

Do not set the extension tables to the unlocked positions. Set to one of the three locked positions only.

Use the rotating extension tables when making mitre cuts greater than 45°.

Do not replace the LED with a different type. Any repairs must only be carried out by the manufacturer or authorised service agent.

When using the product outdoors, the manufacturer recommends the use of an RCD device with a trip set at 30 mA.

When using the product, voltage fluctuations may affect other electrical products or lighting on the same power circuit. Connect the tool to a power source with an impedance equal to 0.299 Ω to minimise voltage fluctuations. Contact your electric power supplier for further clarification.

EN
DE
FR
IT
ES
PT
NL
DA
NO
SV
FI
EL
TR
CS
SK
PL
HU
SL
HR
LV
LT
ET
RU
BG
RO
MK
UK
AR



## KNOW YOUR PRODUCT

See page 2-3.

1. Handle, insulated gripping surface
2. Power switch
3. Switch lock-off lever
4. LED switch
5. Upper guard
6. Carbon brush
7. Spindle lock button
8. Head lock pin
9. Lower guard
10. Sliding fence
11. Fixed fence
12. Rotating extension table
13. Table lock button
14. Mitre detent bypass button
15. Mitre lock lever
16. Mounting hole
17. Cutting depth adjustment screw
18. Cutting depth lock nut
19. Cutting depth stop plate
20. Carrying handle
21. Hex key
22. Bevel angle lock knob
23. Bevel scale
24. Turntable
25. Screws for locking mitre scale
26. Dust bag
27. Slide bar limit lever
28. Slide bar lock knob
29. Bevel detent lever
30. Clamp
31. Mitre scale
32. LED light
33. Outer flange
34. Saw blade
35. Kerf plate

## REPLACEMENT PART LIST

- PS254DBE: Mitre saw EN 847-1/  $\varnothing 254 \times \varnothing 30 \times 2,6 / 48T / HW / n$  max. 7400 min-1 (Page 3, No. 34)
- Kerf plate (Page 3, No. 35)
- Carbon brush (Page 2, No. 6)

## MAINTENANCE

Do not modify the product in any way or use accessories not approved by the manufacturer. Your safety and that of others may be compromised.

Do not use the product if any switches, guards or other functions does not work as intended. Return to an authorised service centre for professional repair or adjustment.

Do not make any adjustments whilst the saw blade is in motion.

Always make sure the product has been disconnected from the mains supply before making adjustments, lubricating or when carrying out any maintenance on the product.

Before and after each use, check the product for damage or broken parts. Keep the product in top working condition by immediately replacing parts with spares approved by the manufacturer.

The blade has sharp edges and may also remain hot after cutting operations. Exercise extreme caution when cleaning an exposed blade. Wear gloves to protect yourself from personal injury.

Clean the saw and its accessories from dust regularly, especially moving parts including the blade guard. Use a hand brush or vacuum cleaner to remove dust effectively. Do not use compressed air.










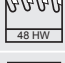



Avoid using solvents when cleaning plastic parts. Most plastics are susceptible to various types of commercial solvents and may be damaged by their use. Use clean cloths to remove dirt, carbon dust, etc.

Use only AEG accessories and spare parts. Should components that have not been described need to be replaced, contact one of our AEG service agents (see our list of guaranteee/service addresses).

If needed, an exploded view of the product can be ordered. State the product type and the serial number printed on the label,

and order the drawing at your local service agents or directly at: Techtronic Industries GmbH, Max-Eyth-Straße 10, 71364 Winnenden, Germany.

## SYMBOLS

	Read the instructions carefully before starting the product.
	CAUTION! WARNING! DANGER!
	Disconnect the plug from the power socket before carrying out any work on the product.
	Class II tool, double insulation
	Wear eye protection.
	Wear ear protection.
	Do not expose to rain or use in damp locations.
	Wear safety gloves.
	Keep hands away from the cutting area and sharp blade.
	CAUTION! Do not stare at the operating lamp.
	Blade rotation direction
	Blade teeth
	Width of cut
	Arbor hole and blade size
	For cutting wood only
	Adjust the position of sliding fence before performing bevel or compound cuts.
	Do not dispose of waste electrical and electronic equipment as unsorted municipal waste. Waste electrical and electronic equipment must be collected separately.



	Waste light sources have to be removed from the equipment. Check with your local authority or retailer for recycling advice and collection point. According to local regulations, retailers may have an obligation to take back waste electrical and electronic equipment free of charge. Your contribution to the reuse and recycling of waste electrical and electronic equipment helps to reduce the demand of raw materials. Waste electrical and electronic equipment contain valuable and recyclable materials, which can adversely impact the environment and the human health if not disposed of in an environmentally compatible manner. Delete personal data from waste equipment, if any.
V	Volts
~	Alternating current
CE	European Conformity Mark
	Ukraine Conformity Mark
EAC	EurAsian Conformity Mark

## SICHERHEITSHINWEISE FÜR GEHRUNGSKAPPSÄGEN

Gehrungskappsägen sind zum Schneiden von Holz oder holzartigen Produkten vorgesehen, sie können nicht zum Schneiden von Eisenwerkstoffen wie Stäben, Stangen, Schrauben usw. verwendet werden. Abrasiver Staub führt zum Blockieren von beweglichen Teilen wie der unteren Schutzhaube. Schneidfunken verbrennen die untere Schutzhaube, die Einlegeplatte und andere Kunststoffteile.

Fixieren Sie das Werkstück nach Möglichkeit mit Zwingen. Wenn Sie das Werkstück mit der Hand festhalten, müssen Sie Ihre Hand immer mindestens 100 mm von jeder Seite des Sägeblatts entfernt halten. Verwenden Sie diese Säge nicht zum Schneiden von Stücken, die zu klein sind, um sie einzuspannen oder mit der Hand zu halten. Wenn Ihre Hand zu nahe am Sägeblatt ist, besteht ein erhöhtes Verletzungsrisiko durch Kontakt mit dem Sägeblatt.

Das Werkstück muss unbeweglich sein und entweder festgespannt oder gegen den Anschlag und den Tisch gedrückt werden. Schieben Sie das Werkstück nicht in das Sägeblatt und schneiden Sie nie „freihändig“. Lose oder sich bewegendes Werkstücke könnten mit hoher Geschwindigkeit herausgeschleudert werden und zu Verletzungen führen.

Schieben Sie die Säge durch das Werkstück. Vermeiden Sie es, die Säge durch das Werkstück zu ziehen. Für einen Schnitt heben Sie den Sägekopf und ziehen ihn über das Werkstück, ohne zu schneiden. Dann schalten Sie den Motor ein, schwenken den Sägekopf nach unten und drücken die Säge durch das Werkstück. Bei ziehendem Schnitt besteht die Gefahr, dass das Sägeblatt am Werkstück aufsteigt und die Sägeblatteinheit dem Bediener gewaltsam entgegengeschleudert wird.

Kreuzen Sie nie die Hand über die vorgesehene Schnittlinie, weder vor noch hinter dem Sägeblatt. Abstützen des Werkstücks „mit gekreuzten Händen“, d.h. Halten des Werkstücks rechts neben dem Sägeblatt mit der linken Hand oder umgekehrt, ist sehr gefährlich.

Greifen Sie bei rotierendem Sägeblatt nicht hinter den Anschlag. Unterschreiten Sie nie einen Sicherheitsabstand von 100 mm zwischen Hand und rotierendem Sägeblatt (gilt auf beiden Seiten des Sägeblatts, z. B. beim Entfernen von Holzabfällen). Die Nähe des rotierenden Sägeblatts zu Ihrer Hand ist möglicherweise nicht erkennbar, und Sie können schwer verletzt werden.

Prüfen Sie das Werkstück vor dem Schneiden. Wenn das Werkstück gebogen oder verzogen ist, spannen Sie es mit der nach außen gekrümmten Seite zum Anschlag. Stellen Sie immer sicher, dass entlang der Schnittlinie kein Spalt zwischen Werkstück, Anschlag und Tisch ist. Gebogene oder verzogene Werkstücke können sich verdrehen oder verlagern und ein Klemmen des rotierenden Sägeblatts beim Schneiden verursachen. Es dürfen keine Nägel oder Fremdkörper im Werkstück sein.

Verwenden Sie die Säge erst, wenn der Tisch frei von Werkzeugen, Holzabfällen usw. ist; nur das Werkstück darf sich auf dem Tisch befinden. Kleine Abfälle, lose Holzstücke oder andere Gegenstände, die mit dem rotierenden Blatt in Berührung kommen, können mit hoher Geschwindigkeit weggeschleudert werden.

Schneiden Sie jeweils nur ein Werkstück. Mehrfach gestapelte Werkstücke lassen sich nicht angemessen spannen oder festhalten und können beim Sägen ein Klemmen des Blatts verursachen oder verrutschen.

Sorgen Sie dafür, dass die Gehrungskappsäge vor Gebrauch auf einer ebenen, festen Arbeitsfläche steht. Eine ebene und feste Arbeitsfläche verringert die Gefahr, dass die Gehrungskappsäge instabil wird.

Planen Sie Ihre Arbeit. Achten Sie bei jedem Verstellen der Sägeblattneigung oder des Gehrungswinkels darauf, dass der verstellbare Anschlag richtig justiert ist und das Werkstück abstützt, ohne mit dem Blatt oder der Schutzhaube in Berührung zu kommen. Ohne die Maschine einzuschalten und ohne Werkstück auf dem Tisch ist eine vollständige Schnittbewegung des Sägeblatts zu simulieren, um sicherzustellen, dass es nicht zu Behinderungen oder der Gefahr des Schneidens in den Anschlag kommt.

- EN
- DE
- FR
- IT
- ES
- PT
- NL
- DA
- NO
- SV
- FI
- EL
- TR
- CS
- SK
- PL
- HU
- SL
- HR
- LV
- LT
- ET
- RU
- BG
- RO
- MK
- UK
- AR
- i

## DE ÜBERSETZUNG DER ORIGINALANLEITUNG

### BESTIMMUNGSGEMÄSSE VERWENDUNG

Die Gehrungskappsäge ist zum Sägen von massivem und verleimtem Holz, hölzernen Werkstoffen mit oder ohne Furnier und Kunststoffurnieren ausgelegt.

Das Produkt darf nur von Erwachsenen verwendet werden, die Bedienungsanleitung gelesen und die Risiken und Gefahren verstanden haben.

Das Produkt ist so konzipiert, dass es an der Bodenplatte auf einer massiven Werkbank befestigt werden kann. Wenn die Bodenplatte nicht sicher befestigt ist, kann sich die ganze Maschine beim Sägen bewegen und die Gefahr schwerer Verletzungen vergrößern.

Das Produkt ist für Neigungs- und Gehrungsschnitte ausgelegt. Die Schnittmaße für die verschiedenen Schnitte sind in der Produktbeschreibung in diesem Handbuch aufgeführt.

Das Produkt muss bei trockenen Bedingungen eingesetzt werden, mit sehr guter Umgebungsbeleuchtung und einer ausreichenden Belüftung.

Das Produkt ist für den Hausgebrauch und sollte nur wie oben beschrieben, und für keine anderen Zwecke, benutzt werden.

Benutzen Sie das Werkzeug nicht für andere Aufgaben, als die genannten bestimmungsgemäßen Verwendungen.

**⚠️ WARNUNG! Lesen Sie aufmerksam alle mit diesem Werkzeug gelieferten Warnungen, Anweisungen und Spezifikationen, beziehen Sie sich auf die Illustrationen.** Die Nichtbeachtung der weiter unten aufgeführten Anweisungen kann Unfälle wie Brände, Elektroschocks und/oder schwere Körperverletzungen zur Folge haben.

**Bewahren Sie alle Sicherheitshinweise und Anleitungen zum späteren Nachschlagen auf.**







**Sorgen Sie bei Werkstücken, die breiter oder länger als die Tischoberseite sind, für eine angemessene Abstützung, z. B. durch Tischverlängerungen oder Sägeböcke.** Werkstücke, die länger oder breiter als der Tisch der Gehrungskappsäge sind, können kippen, wenn sie nicht fest abgestützt sind. Wenn ein abgeschnittenes Stück Holz oder das Werkstück kippt, kann es die untere Schutzhaube anheben und unkontrolliert vom rotierenden Blatt weggeschleudert werden.

**Ziehen Sie keine anderen Personen als Ersatz für eine Tischverlängerung oder zur zusätzlichen Abstützung heran.** Eine instabile Abstützung des Werkstücks kann zum Klemmen des Blatts führen. Auch kann sich das Werkstück während des Schnitts verschieben und Sie und den Helfer in das rotierende Blatt ziehen.

**Das abgeschnittene Stück darf nicht gegen das rotierende Sägeblatt gedrückt werden.** Wenn wenig Platz ist, z. B. bei Verwendung von Längsanschlägen, kann sich das abgeschnittene Stück mit dem Blatt verkeilen und gewaltsam weggeschleudert werden.

**Verwenden Sie immer eine Zwinde oder eine geeignete Vorrichtung, um Rundmaterial wie Stangen oder Rohre ordnungsgemäß abzustützen.** Stangen neigen beim Schneiden zum Wegrollen, wodurch sich das Blatt „festbeißen“ und das Werkstück mit Ihrer Hand in das Blatt gezogen werden kann.

**Lassen Sie das Blatt die volle Drehzahl erreichen, bevor Sie in das Werkstück schneiden.** Dies verringert das Risiko, dass das Werkstück weggeschleudert wird.

**Wenn das Werkstück eingeklemmt wird oder das Blatt blockiert, schalten Sie die Gehrungskappsäge aus. Warten Sie, bis alle beweglichen Teile zum Stillstand gekommen sind, ziehen Sie den Netzstecker und/oder nehmen Sie den Akku heraus. Entfernen Sie anschließend das eingeklemmte Material.** Wenn Sie bei einer solchen Blockierung weitersägen, kann es zum Verlust der Kontrolle oder zu Beschädigungen der Gehrungskappsäge kommen.

**Lassen Sie nach beendetem Schnitt den Schalter los, halten Sie den Sägekopf unten und warten Sie den Stillstand des Blatts ab, bevor Sie das abgeschnittene Stück entfernen.** Es ist sehr gefährlich, mit der Hand in die Nähe des auslaufenden Blatts zu fassen.

**Halten Sie den Handgriff gut fest, wenn Sie einen unvollständigen Sägeschnitt ausführen oder wenn Sie den Schalter loslassen, bevor der Sägekopf seine untere Lage erreicht hat.** Durch die Bremswirkung der Säge kann der Sägekopf ruckartig nach unten gezogen werden, was zu einem Verletzungsrisiko führt.

## SICHERHEITSAUWEISUNGEN FÜR DAS HOLZSÄGEBLATT

Lesen Sie das Handbuch und die Anleitungen, bevor Sie das Sägeblatt und das Produkt verwenden.

Das Elektrowerkzeug muss sich in einem guten Zustand befinden; die Spindel darf keine Verformungen aufweisen und nicht vibrieren.

Verwenden Sie das Produkt nicht ohne die Schutzvorrichtungen. Halten Sie die Schutzvorrichtungen in gutem Zustand und ordentlich gewartet.

Stellen Sie sicher, dass der Bediener in den Vorsichtsmaßnahmen, der Einstellung und dem Betrieb des Produkts geschult ist.

Tragen Sie eine Schutzbrille und einen Gehörschutz, wenn Sie das Produkt verwenden. Schutzhandschuhe, festes und rutschsicheres Schuhwerk und Schürze werden empfohlen.

Lesen Sie immer die Bedienungsanleitung, bevor Sie ein Zubehörteil benutzen. Der unsachgemäße Gebrauch von Zubehörteilen kann zu Schäden führen und das Verletzungspotenzial erhöhen.

Benutzen Sie nur die in dieser Bedienungsanleitung angegebenen Sägeblätter, die EN 847-1 erfüllen.

Beachten Sie die auf dem Sägeblatt angezeigte maximale Drehzahl. Stellen Sie sicher, dass die auf dem Sägeblatt gekennzeichnete Drehzahl mindestens der auf der Säge gekennzeichneten Drehzahl entspricht.

Verwenden Sie stets Sägeblätter, deren Größe und Form dem Spindeldurchmesser entsprechen. Sägeblätter, die nicht an die Spindel angepasst sind, an der sie montiert werden, laufen nicht korrekt und können dazu führen, dass Sie die Kontrolle über Ihr Gerät verlieren.

Benutzen Sie keine Sägeblätter mit größeren oder kleineren Durchmesser als empfohlen. Benutzen Sie keine Unterlegscheiben, um das Sägeblatt an die Spindel anzupassen.

Prüfen Sie die Sägezähne des Sägeblatts vor jeder Benutzung auf Schäden und ungewöhnliches Aussehen. Beschädigte oder lose Sägezähne können sich bei der Verwendung des Geräts lösen und weg geschleudert werden und damit das Verletzungsrisiko erhöhen.

Rissige Sägeblätter oder solche, die ihre Form verändert haben, dürfen nicht verwendet werden! Benutzen Sie keine Sägeblätter, die beschädigt oder verformt sind.

Entsorgen Sie das Sägeblatt, wenn es beschädigt, verformt, deformiert oder gerissen ist; es ist nicht erlaubt, es zu reparieren. Verwenden Sie keine HSS Sägeblätter.

Stellen Sie sicher, dass das Sägeblatt richtig montiert ist und ziehen Sie die Mutter vor der Verwendung fest (Anzugsdrehmoment ca. 12 Nm).

Die Schrauben und Muttern sollten mit einem geeigneten Schraubenschlüssel angezogen werden.

Das Verlängern des Schlüssels und das Anziehen mit Hammerschlägen ist nicht erlaubt.

Stellen Sie sicher, dass alle Sägeblätter und Flansche sauber sind und die vertiefte Seite der Manschette an dem Sägeblatt anliegen. Stellen Sie sicher, dass sich das Sägeblatt in die richtige Richtung dreht.

Machen Sie einen Testdurchlauf ohne angeschalteten Motor, bevor Sie mit der Arbeit beginnen, um die Position des Sägeblattes, Funktion der Schutzvorrichtungen und das Werkstück zu überprüfen.

Lassen Sie das Produkt nicht unbeaufsichtigt.

Tragen Sie keine Schmiermittel auf die laufende Säge auf.

Niemals Reinigungsarbeiten oder Wartungsarbeiten an der laufenden Maschine durchführen, und wenn das Sägeaggregat nicht in Ruheposition ist.

Versuchen Sie niemals die Maschine anzuhalten, indem Sie ein Werkzeug oder einen anderen Gegenstand gegen das Sägeblatt klemmen, schwere Unfälle können so versehentlich verursacht werden.

Ziehen Sie den Netzstecker oder entfernen Sie den Akku, bevor das Sägeblatt wechseln oder Wartungsarbeiten durchführen.

Seien Sie beim Ein- und Auspacken des Sägeblattes vorsichtig, Verletzungen durch die scharfen Zähne sind schnell passiert.

Benutzen Sie eine Sägeblatthalterung oder tragen Sie Handschuhe, wenn Sie das Sägeblatt handhaben.

Bewahren und lagern Sie das Sägeblatt in der Originalverpackung oder einer anderen geeigneten Verpackung. Bewahren Sie es in trockener Umgebung und fern von Chemikalien, die das Sägeblatt beschädigen können, auf.

## ZUSÄTZLICHE SICHERHEITS- UND ARBEITSAUWEISUNGEN

Fixieren Sie das Werkstück immer fest und sicher.

Stellen Sie sicher, dass das Werkzeug einen sicheren Stand hat (z.B. indem es an einer Werkbank befestigt ist)

Tragen Sie Gehörschutz. Die Einwirkung von Lärm kann Hörverlust bewirken.

Tragen Sie eine Schutzbrille, wenn Sie das Produkt verwenden. Wir empfehlen Handschuhe bei der Handhabung von Sägeblättern und grobem Material zu tragen, zusätzlich feste, rutschfeste Schuhe, um Ihre Füße vor Werkstücken die von dem Sägebereich fallen könnten, zu schützen.

Ziehen Sie den Netzstecker oder entfernen Sie den Akku, bevor Sie Wartungsarbeiten durchführen oder das Produkt reinigen.

Stellen Sie die Verbindung zur Stromzufuhr nur her, wenn das Gerät ausgeschaltet ist.

Halten Sie das Kabel zur Stromversorgung aus dem Arbeitsbereich des Geräts fern. Halten Sie es von dem Bereich fern, in dem der Benutzer steht.

Greifen Sie niemals in den Bereich des Sägeblattes, außer das Sägeblatt ist vollständig gestoppt.





Überprüfen Sie vor der Verwendung das Gerät, das Kabel und den Stecker gründlich auf Schäden und Materialermüdung. Reparaturen des gesamten Geräts, einschließlich des Stromkabels, sollten nur von einem autorisierten Servicecenter durchgeführt werden.

Verwenden Sie stets die Schutzabdeckung der Maschine. Benutzen Sie die Maschine nicht, wenn die Schutzabdeckungen nicht montiert sind und nicht ordnungsgemäß funktionieren.

Der untere Schutzhaube sollte sich nur öffnen, wenn das Sägeblatt auf das Arbeitsstück gesenkt wird. Er muss jederzeit frei beweglich sein und sich automatisch schließen.

Befestigen und verwenden Sie Verlängerungsschienen, um das Werkstück während des Betriebs abzustützen.

Das Produkt und seine Funktionalität dürfen nicht geändert oder modifiziert werden. Ihre Sicherheit könnte beeinträchtigt sein.

Benutzen Sie keine gerissene, beschädigte oder verformte Sägeblätter.

Keine aus Schnellarbeitsstahl gefertigten Sägeblätter verwenden.

Benutzen Sie nur scharfe Sägeblätter. Ersetzen Sie stumpfe Sägeblätter.

Verwenden Sie immer Sägeblätter in der richtigen Größe und passend zur Form des Aufnahmeflansches. Sägeblätter, die nicht zu den Montageteilen der Säge passen, werden exzentrisch laufen und zu Kontrollverlust des Gerätes führen.

Benutzen Sie nur in dieser Bedienungsanleitung angegebene Sägeblätter die EN 847-1 erfüllen.

Benutzen Sie keine anderen Flansche, Unterlegscheiben und Muttern als die mitgelieferten oder in der Bedienungsanleitung angegebenen, um das Sägeblatt zu befestigen.

Wählen Sie ein für den zu schneidenden Werkstoff geeignetes Sägeblatt aus. Verwenden Sie das Produkt nicht, um Material zu schneiden, das nicht im Abschnitt zum bestimmungsgemäßen Gebrauch in diesem Handbuch aufgeführt ist.

Es ist wichtig, die Überhitzung des Blatts und das Schmelzen der Plastikteile während des Betriebs zu vermeiden.

Die auf dem Sägeblatt angegebene maximale Drehzahl muss eingehalten werden. Verwenden Sie nur Sägeblätter für eine Drehzahl, die größer oder gleich der auf dem Werkzeug angegebenen Drehzahl ist.

Ersetzen Sie die Einlegeplatte, wenn sie abgenutzt oder beschädigt ist.

Machen Sie einen Testdurchlauf ohne angeschalteten Motor, bevor Sie mit der Arbeit beginnen, um die Position des Sägeblattes, Funktion der Schutzvorrichtungen und das Werkstück zu überprüfen.

Wenn Sie Gehrungs-, Neigungs- oder kombinierte Gehrungsschnitte durchführen, passen Sie den Schiebeanschlag oder Unterschlag an, um den richtigen Abstand vom Sägeblatt sicherzustellen.

Vermeiden Sie es, die Sägeeinheit unkontrolliert von der untersten Position aus zu entriegeln.

Der Handgriff muss während des Transports des Produkts eingerastet sein.

Das Produkt sollte mit dem auf Null gestellten Gehrungswinkel und in verriegelter Position gelagert werden. Der Griff sollte in der unteren (sicheren) Position, mit geschlossenen Schutzabdeckungen, verriegelt sein.

Stellen Sie das Produkt beim Transport in einem Fahrzeug auf seinen Sockel und sichern es vor Bewegung.

Heben Sie das Gerät nur an den zu diesem Zweck gelieferten Griffen. Heben Sie das Gerät immer mit zwei Händen.

Halten Sie den Boden frei von losem Material, z. B. Späne und Abfall.

Keine Sägereste oder andere Teile von Werkstücken aus dem Sägebereich entfernen wenn die Maschine läuft und das Sägeaggregat nicht in der Ruhestellung ist.

Lange Werkstück sind geeignet abzustützen. Der Arbeitsbereich der Säge beinhaltet das gesamte Ausmaß des Werkstücks. Der Benutzer sollte diesen Bereich vor versehentlichem Kontakt durch andere Personen oder Gegenstände, die das Werkstück während des Betriebs bewegen könnten, schützen.

Der beim Einsatz des Produktes anfallende Staub kann gesundheitsschädlich sein. Benutzen Sie ein System zur Staubabsaugung und tragen Sie eine geeignete Staubschutzmaske. Entfernen Sie gründlich den abgelagerten Staub, z. B. mit einem Staubsauger.

Möglicherweise muss der Schiebeanschlag eingestellt werden, um den richtigen Abstand sicherzustellen, bevor ein Schräg- oder Verbundschnitt durchgeführt wird. Stellen Sie sicher, dass die Klemmschraube des Schiebeanschlags nach der Einstellung fest angezogen ist.

Die Klammer kann an beiden Seiten des Blatts angebracht und benutzt werden. In einige Fällen kann die Klammer die Blattschutzmontage behindern. Stellen Sie vor einem Schneidvorgang immer sicher, dass der Blattschutz nicht behindert wird, um das Risiko von schweren Verletzungen zu reduzieren.

**⚠️ WARNUNG!** Beim Durchführen von 70°-Gehrungsschnitten ist nur ein Fasenwinkel von 0° erlaubt.

Die rotierenden Tischverlängerungen können je nach gewünschter Art des Schnitts in eine von drei Positionen gestellt werden.

Stellen Sie die Tischverlängerungen nicht in die ungesicherten Positionen. Stellen Sie sie nur in eine der drei gesperrten Positionen.

Nutzen Sie die rotierenden Tischverlängerungen für Gehrungsschnitte mit einem Winkel über 45°.

Ersetzen Sie die LED nicht durch eine LED einer anderen Bauart. Reparaturen dürfen nur vom Hersteller oder vom autorisierten Kundendienst durchgeführt werden.

Für die Nutzung des Geräts im Freien empfiehlt der Hersteller die Verwendung eines RCD-Geräts mit einem Auslösestrom von 30 mA.

Bei der Verwendung des Geräts können sich Spannungsschwankungen auf andere Elektrogeräte oder Beleuchtung im selben Stromkreis auswirken. Schließen Sie das Produkt an eine Stromversorgung mit einer Impedanz von 0,299 Ω an, um die Spannungsschwankungen zu minimieren. Kontaktieren Sie Ihren Stromlieferanten für weitere Erklärungen.

## KENNEN SIE IHR PRODUKT

Siehe Seite 2-3.

1. Griff, isolierte Grifffläche
2. Hauptschalter
3. Sicherungshebel
4. LED Schalter
5. Oberer Sägeblattschutz
6. Kohlebürste
7. Knopf der Spindelarretierung
8. Transportsicherung
9. Unterer Sägeblattschutz
10. Verschiebbarer Anschlag
11. Fester Anschlag
12. Rotierende Tischverlängerung
13. Tisch-Feststelltaste
14. Gehrungswinkelrastierung-Überbrückungstaste
15. Verriegelungshebel
16. Befestigungsloch
17. Einstellschraube für die Schneidtiefe
18. Feststellmutter für die Schneidtiefe
19. Anschlagblech für die Schneidtiefe
20. Tragegriff
21. Sechskantschlüssel
22. Verriegelung für Winkelanschlag
23. Neigungsskala
24. Drehteller
25. Schrauben zum Einstellen der Gehrungsskala
26. Staubbeutel
27. Begrenzungshebel Schiebefunktion
28. Sperrknopf Schiebefunktion
29. Neigungswinkelarretierung
30. Klemme
31. Gehrungsskala
32. LED-Licht
33. Äußerer Flansch
34. Sägeblatt
35. Schnittplatte



EN

DE

FR

IT

ES

PT

NL

DA

NO

SV

FI

EL

TR

CS

SK

PL

HU

SL

HR

LV

LT

ET

RU

BG

RO

MK

UK

AR

ⓘ





## ERSATZTEILLISTE

- PS254DBE: Gehrungskappsäge EN 847-1/  $\varnothing$  254 x  $\varnothing$  30 x 2,6 / 48 T / HW / n max. 7400 min<sup>-1</sup> (Seite 3. Nr. 34)
- Schnittplatte (Seite 3. Nr. 35)
- Carbonbürste (Seite 2. Nr. 6)

## WARTUNG UND PFLEGE

Verändern Sie das Produkt nicht auf irgendeine Weise oder verwenden Zubehör, das nicht vom Hersteller empfohlen ist. Ihre Sicherheit und die anderer könnte beeinträchtigt sein.

Benutzen Sie das Produkt nicht, wenn Schalter oder andere Funktionen nicht wie vorgesehen funktionieren. Bringen Sie das Werkzeug zu einem autorisierten Kundendienst, um Einstellungen oder Reparaturen vorzunehmen.

Nehmen Sie keine Einstellungen vor, während die Säge in Bewegung ist.

Stellen Sie immer sicher, dass das Gerät von der Stromversorgung getrennt wurde, bevor Sie Einstellungen vornehmen, das Gerät schmieren oder Wartungsarbeiten am Gerät durchführen.

Überprüfen Sie das Produkt vor und nach jeder Benutzung auf Schäden und beschädigte Teile. Halten Sie das Produkt in optimalem Betriebszustand, indem sie Teile sofort mit vom Hersteller empfohlenen Ersatzteilen ersetzen.

Das Sägeblatt hat scharfe Kanten und kann nach dem Schneiden auch erhitzt sein. Seien Sie beim Reinigen freiliegender Sägeblätter extrem vorsichtig. Tragen Sie Handschuhe, um sich vor Verletzungen zu schützen.



Stauben Sie die Säge und das Zubehör regelmäßig ab, insbesondere die beweglichen Teile wie die Schutzhaube. Entfernen Sie Staub mit einer Handbürste oder einem Staubsauger. Nutzen Sie keine Druckluft.








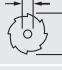

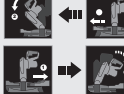



Vermeiden Sie die Verwendung von Lösungsmitteln bei der Reinigung von Kunststoffteilen. Die meisten Kunststoffe sind empfindlich gegenüber verschiedenen Arten von handelsüblichen Lösungsmitteln und können durch deren Verwendung beschädigt werden. Verwenden Sie saubere Tücher, um Schmutz, Kohlestaub usw. zu entfernen.

Verwenden Sie nur Zubehör und Ersatzteile von AEG. Sollten Komponenten ersetzt werden müssen, wenden Sie sich bitte an einen unserer AEG-Kundendienstmitarbeiter (siehe unsere Liste der Garantie-/Service-Adressen).

Bei Bedarf kann eine Einzelteildarstellung des Geräts bestellt werden. Geben Sie die Art des Geräts und die auf dem Etikett aufgedruckte Seriennummer an und bestellen Sie die Zeichnung beim Serviceanbieter vor Ort oder direkt bei: Technronic Industries GmbH, Max-Eyth-Straße 10, 71364 Winnenden, Germany.

## SYMBOLE

	Lesen Sie die Anleitung aufmerksam durch, bevor Sie das Gerät verwenden.
	ACHTUNG! WARNUNG! GEFAHR!
	Ziehen Sie den Stecker aus der Steckdose, bevor Sie Arbeiten am Gerät durchführen.
	Elektrowerkzeug der Schutzklasse II
	Tragen Sie einen Augenschutz
	Tragen Sie einen Gehörschutz.

	Nicht Regen aussetzen, oder an feuchten Orten verwenden!
	Tragen Sie Sicherheitshandschuhe.
	Halten Sie die Hände vom Schneidbereich und dem scharfen Sägeblatt fern.
	ACHTUNG! Starren Sie nicht in das Arbeitslicht.
	Drehrichtung des Sägeblatts
	Sägezähne
	Breite des Schnitts
	Aufnahmeloch und Größe des Sägeblatts
	Nur zum Schneiden von Holz
	Passen Sie die Position des Schiebebeanschlags an, bevor Sie Schräg- oder Verbundschnitte durchführen.
	Entsorgen Sie Elektro- und Elektronik-Altgeräte nicht als unsortierten Siedlungsabfall. Elektro- und Elektronikaltgeräte müssen getrennt gesammelt werden.
	Alte Lichtquellen müssen aus den Geräten entfernt werden.
	Informieren Sie sich bei den örtlichen Behörden oder bei Ihrem Einzelhändler über Recyclingoptionen und die Entsorgungseinrichtung.
	Je nach den örtlichen Vorschriften können Einzelhändler dazu verpflichtet sein, Elektro- und Elektronikaltgeräte kostenlos zurückzunehmen.
	Ihr Beitrag zur Wiederverwendung und zum Recycling von Elektro- und Elektronikaltgeräten trägt dazu bei, den Bedarf an Rohstoffen zu verringern.
	Elektro- und Elektronik-Altgeräte enthalten wertvolle und wiederverwertbare Materialien, die sich negativ auf die Umwelt und die menschliche Gesundheit auswirken können, wenn sie nicht auf umweltverträgliche Weise entsorgt werden.
	Löschen Sie ggf. personenbezogene Daten aus Altgeräten.
	Spannung
	Wechselstrom



	Europäisches Konformitätskennzeichen
	Ukrainisches Konformitätskennzeichen
	EurAsian Konformitätskennzeichen

## FR TRADUCTION DE LA NOTICE ORIGINALE

### UTILISATION CONFORME AUX PRESCRIPTIONS

La scie à onglets est conçue pour scier du bois massif ou aggloméré, des matériaux similaires au bois, avec ou sans placage collé et plastiques.

La scie à onglets est conçue pour être utilisée uniquement par des adultes qui ont lu le mode d'emploi et comprennent les risques et dangers.

La scie à onglets est conçue pour être fixée à la base sur un plan de travail solide. Si la base n'est pas bien fixée, l'ensemble de la machine peut bouger pendant les opérations de découpe, ce qui augmente le risque de blessures graves.

La scie à onglet est conçue pour réaliser des coupes en biseau et d'onglet. Les capacités pour les différentes coupes sont fournies dans les spécifications du produit de ce manuel.

La scie à onglets doit être utilisée au sec, avec un excellent éclairage ambiant et une ventilation adéquate.

La scie à onglets doit toujours être utilisée comme indiqué ci-dessus, et n'est destinée à aucun autre usage.

Ne vous servez pas de ce produit pour d'autres utilisations que celles décrites au chapitre des utilisations prévues.

**⚠ AVERTISSEMENT! Lisez l'ensemble des avertissements, instructions, illustrations et spécifications relatifs à la sécurité fournis avec ce produit.** Le non-respect des instructions présentées ci-après peut entraîner des accidents tels que des incendies, des décharges électriques et/ou des blessures corporelles graves.

Conservez toutes les mises en garde et instructions à des fins de référence ultérieure.

### CONSIGNES DE SÉCURITÉ POUR LES SCIES À ONGLET

Les scies à onglet sont conçues pour couper du bois ou des objets en bois. Elles ne peuvent être utilisées avec des disques à tronçonner destinés à la coupe de matériaux ferreux comme des barres, des tiges, des goujons, etc. La poussière abrasive provoque le blocage des pièces mobiles telles que la protection inférieure. Les étincelles issues d'une découpe abrasive peuvent brûler la protection inférieure, l'insert de trait de scie et d'autres pièces en plastique.

Utiliser des pinces pour maintenir la pièce à usiner à chaque fois que cela est possible. Si la pièce à usiner est tenue manuellement, il convient de tenir vos mains à au moins 100 mm de la lame de scie. Ne pas utiliser la scie pour couper des pièces trop petites pour être soutenues manuellement ou fixées correctement. Le fait d'approcher votre main de la lame de scie augmente le risque de blessures dues au contact avec la lame.

La pièce à usiner doit être immobile et fixée ou bloquée contre le guide et la table. Il ne faut en aucun cas avancer la pièce vers la lame ou effectuer de coupe « à la main ». Les pièces non retenues ou en mouvement peuvent être projetées à très grande vitesse et provoquer des blessures.

Avancer la scie vers la pièce à usiner. Ne pas tirer la scie vers vous. Pour effectuer une coupe, lever la tête de la scie, la positionner au-dessus de la pièce à usiner, mettre le moteur sous tension, abaisser la tête de la scie et avancer la scie vers la pièce à usiner. Effectuer une coupe en tirant peut faire monter

la lame de scie au-dessus de la pièce à usiner et la projeter vers l'opérateur.

**Ne jamais placer votre main au-dessus de la ligne de coupe, que ce soit devant ou derrière la lame de scie.** Il est extrêmement dangereux de tenir la pièce à usiner de façon « croisée », c'est-à-dire en utilisant votre main gauche pour tenir la pièce à droite de la lame de scie ou vice-versa.

**Lorsque la lame est en mouvement, ne pas essayer d'atteindre l'autre côté du guide si vos mains se trouvent à moins de 100 mm d'un des côtés de la lame de scie, que ce soit pour retirer des chutes de bois ou pour toute autre raison.** La proximité de votre main avec la lame de scie en mouvement est difficile à évaluer, ce qui présente un risque de blessures graves.

**Inspecter la pièce à usiner avant de procéder à la coupe. Si la pièce à usiner est courbée ou déformée, il convient de la fixer avec la face courbée extérieure contre le guide. Toujours veiller à ce qu'il n'y ait aucun écart entre la pièce à usiner, le guide et la table le long de la ligne de coupe.** Les pièces à usiner courbées ou déformées peuvent vriller ou se tordre et provoquer le grippage de la lame de scie en mouvement lors de la coupe. La pièce à usiner doit être exempte de clous ou de tout autre objet étranger.

**Ne pas utiliser la scie s'il reste des outils, des chutes de bois ou autres sur la table.** Les petites chutes de bois, les pièces libres ou tout autre objet entrant en contact avec la lame rotative peuvent être projetés à grande vitesse.

**Ne couper qu'une seule pièce à usiner à la fois.** Des pièces à usiner empilées ne peuvent pas être correctement fixées ou maintenues et peuvent gripper la lame ou dévier pendant la coupe.

**Avant utilisation, toujours veiller à ce que la scie à onglet soit montée ou placée sur une surface de travail ferme et plane.** Une surface de travail ferme et plane réduit le risque d'instabilité de la scie à onglet.

**Planifier les tâches. À chaque changement de réglage de l'angle de biseau ou d'onglet, toujours veiller à ce que le guide ajustable soit correctement positionné afin de soutenir la pièce à usiner et à ce qu'il n'entre pas en contact avec la lame ou le système de protection.** Avec l'outil sous tension et en l'absence de pièce à usiner sur la table, simuler une coupe avec la lame de scie afin de vous assurer qu'il n'y aura aucun contact avec le guide et aucun danger de le couper.

**Pour une pièce à usiner plus large ou longue que la table, prévoir un support adapté (rallonges de table, chevalets de sciage, etc.).** Les pièces à usiner plus larges ou plus longues que la table de la scie à onglet peuvent basculer si elles ne sont pas fixées correctement. Le basculement de la chute ou de la pièce à usiner peut provoquer le soulèvement de la protection inférieure ou sa projection par la lame en mouvement.

**Ne jamais faire appel à une personne pour servir de substitut à une rallonge de table ou à un support complémentaire.** Lors de l'opération de coupe, un support de pièce à usiner instable peut provoquer le grippage de la lame ou la déviation de la pièce à usiner, ce qui vous entraînera, votre assistant et vous, vers la lame.

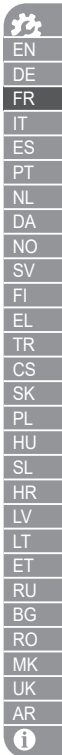
**En aucun cas la chute ne doit être bloquée ou appuyée contre la lame de scie en mouvement.** Si l'espace est réduit, par exemple en cas d'utilisation de butées, la chute pourrait se coincer contre la lame et être projetée violemment.

**Utiliser toujours une bride ou un dispositif conçu pour correctement soutenir les matériaux ronds comme des tiges ou des tubes.** Lors de la coupe, les tiges ont tendance à rouler et la lame peut alors « mordre » et entraîner la pièce à usiner et vos mains vers la lame.

**Attendre que la lame atteigne sa pleine vitesse avant d'y apposer la pièce à usiner.** Cela réduira le risque de projection de la pièce à usiner.

**Si la pièce à usiner ou la lame se coince, arrêter la scie à onglet. Attendre que toutes les pièces en mouvement se soient immobilisées puis débrancher l'outil et/ou retirer la batterie. Procéder ensuite au déblocage du matériau coincé.** Poursuivre la coupe avec une pièce bloquée peut provoquer une perte de contrôle ou endommager la scie à onglet.

**Après la coupe, relâcher le bouton, tenir la scie tête vers le bas et attendre l'arrêt de la lame avant de passer au retrait de la chute.** Il est dangereux d'approcher votre main de la lame encore en rotation.



**Tenir fermement la poignée en cas de coupe incomplète ou lorsque le bouton est relâché avant que la tête de la scie ne soit complètement abaissée.** L'action de freinage de la scie peut soudainement tirer la tête de la scie vers le bas et provoquer un risque de blessures.

### INSTRUCTIONS DE SÉCURITÉ POUR LA LAME DE COUPE DU BOIS

Il est important de lire attentivement le manuel et les instructions avant d'utiliser la lame de scie et la machine.

Le produit doit être en bon état, avec un axe sans déformation ni vibration.

Ne pas utiliser le produit si les protections ne sont pas en place. Maintenir les protections en bon état de fonctionnement et bien entretenues.

Veiller à ce que l'opérateur soit bien formé aux précautions de sécurité, aux réglages et à l'utilisation du produit.

Lors de l'utilisation du produit, toujours porter des lunettes et des protections auditives. Il est recommandé de porter des gants, des chaussures antidérapantes robustes et un tablier.

Avant d'utiliser un accessoire, consulter le manuel d'utilisation. Une mauvaise utilisation d'un accessoire peut causer des dommages et augmenter le risque de blessure.

Utiliser uniquement les lames indiquées dans ce manuel et conformes à la norme EN 847-1.

Respecter la vitesse maximale indiquée sur la lame de scie.

S'assurer que la vitesse indiquée sur la lame de scie est au moins égale à la vitesse indiquée sur la scie.

Toujours utiliser des lames dont la taille et la forme sont adaptées à l'alésage de l'arbre. Les lames qui ne sont pas adaptées au matériel de montage de la scie fonctionneront de façon excentrée, entraînant une perte de contrôle.

Ne pas utiliser de lames d'un diamètre supérieur ou inférieur à celui recommandé. Ne pas utiliser d'entretoise pour installer la lame sur l'axe.

Vérifier les dents de la lame de scie pour détecter tout dommage ou aspect anormal avant chaque utilisation. Les dents endommagées ou desserrées peuvent devenir des projectiles lors de l'utilisation et augmenter les risques de blessures.

Ne pas utiliser de lames de scie fissurées ou tordues. Ne pas utiliser de lames de scie endommagées ou déformées.

Mettre la lame de scie au rebut si elle est endommagée, déformée, tordue ou fissurée, la réparation n'est pas autorisée.

Ne pas utiliser de lames HSS.

Avant utilisation, veiller à ce que la lame de scie soit correctement montée et serrer fermement l'écrou du mandrin (couple de serrage d'environ 12 Nm).

Les vis et les écrous de fixation doivent être serrés à l'aide d'une clé adaptée, etc.

La rallonge de clé ou le serrage à l'aide de coups de marteau n'est pas autorisé(e).

S'assurer que la lame et les flasques sont propres et que les parties encastrées du collier sont contre la lame.

Veiller à ce que la lame tourne dans le bon sens.

Avant de travailler, effectuer une coupe fictive avec le moteur hors tension afin de vérifier la position de la lame, le fonctionnement des protections par rapport aux autres pièces de la machine et la pièce à usiner.

Ne jamais laisser le produit sans surveillance.

Ne pas appliquer de lubrifiants sur la lame lorsqu'elle est en marche.

Ne jamais effectuer de travaux de nettoyage ou de maintenance lorsque la machine est en marche et que la tête n'est pas en position de repos.

Ne jamais tenter d'arrêter rapidement une machine en bloquant la lame avec un outil ou tout autre objet. En faisant cela, des accidents graves peuvent survenir involontairement.

Débrancher l'appareil de la prise secteur ou retirer la batterie avant de changer les lames ou d'effectuer l'entretien.

Faire attention au moment d'emballer et de débiller la lame, il est facile d'être blessé par les dents tranchantes de la lame.

Utiliser un porte-lame ou porter des gants lorsque vous manipulez une lame.

Conserver et ranger la lame dans son emballage d'origine ou dans tout autre emballage approprié. Garder la lame dans un endroit sec et à l'écart des produits chimiques qui pourraient l'endommager.

### INSTRUCTIONS DE FONCTIONNEMENT ET DE SÉCURITÉ SUPPLÉMENTAIRES

Toujours fixer fermement la pièce à usiner.

Veiller à ce que le produit soit toujours stable et sécurisé (par exemple, fixé à un établi).

Toujours porter des protections auditives. L'influence du bruit peut provoquer la surdité.

Toujours porter des lunettes de sécurité lors de l'utilisation du produit. Il est recommandé de porter des gants pour manipuler les lames et les matériaux rugueux, ainsi que des chaussures antidérapantes robustes pour protéger les pieds des pièces à usiner qui peuvent chuter de la zone de coupe.

Débrancher l'appareil de la prise secteur ou retirer la batterie avant d'entretenir ou de nettoyer le produit.

Brancher uniquement l'appareil à la prise secteur lorsqu'il est éteint.

Tenir le fil d'alimentation à l'écart de la zone de travail du produit.

Le tenir éloigné de la zone dans laquelle se trouve l'opérateur

Ne jamais mettre la main dans la zone située près de la lame si celle-ci n'est pas complètement arrêtée.

Avant toute utilisation, il convient de vérifier que le produit, le câble et la prise ne présentent aucun signe de dommage ou d'usure des matériaux. Les réparations à effectuer sur le produit, y compris le câble d'alimentation, doivent uniquement être réalisées par un centre d'entretien agréé.

Toujours utiliser les protections du produit. Ne pas utiliser le produit si les protections ne sont pas en place ou ne fonctionnent pas correctement.

La protection de lame inférieure ne doit s'ouvrir que lorsque la lame est abaissée sur la pièce de travail. Elle doit toujours être en mesure de se déplacer librement et de se fermer automatiquement.

Pour le soutien de la pièce à usiner lors de l'opération, veiller à toujours fixer et utiliser des barres d'extension.

Ne jamais altérer ni modifier le produit ou son fonctionnement. Votre sécurité peut être compromise.

Ne pas utiliser des bandes de scie fissurées, endommagées ou déformées.

Ne pas utiliser de lames de scie en acier haute vitesse.

N'utiliser que des lames affûtées. Remplacer les lames émoussées.

Toujours utiliser des lames dont la taille et la forme sont adaptées à l'alésage de l'arbre. Les lames qui ne sont pas adaptées au matériel de montage de la scie fonctionneront de façon excentrée, entraînant une perte de contrôle.

Utiliser uniquement les lames à bois indiquées dans ce manuel et conformes à la norme EN 847-1.

Ne pas utiliser de flasques, rondelles et écrous pour fixer la lame de scie autres que ceux fournis ou indiqués dans le manuel d'utilisation.

Il est nécessaire de sélectionner une lame de scie adaptée au matériau coupé. Ne jamais utiliser le produit pour couper des matériaux autres que ceux indiqués dans la section « Utilisation prévue » de ce manuel.

Pendant la coupe, il est important d'éviter la surchauffe de la lame et la fonte du plastique.

Il est essentiel de respecter la vitesse maximum indiquée sur la lame de scie et d'utiliser uniquement une lame de scie dont la vitesse indiquée est égale ou supérieure à celle indiquée sur l'outil.

Remplacer l'insert de plaque lorsqu'il est usé ou endommagé.

Avant de travailler, effectuer une coupe fictive avec le moteur hors tension afin de vérifier la position de la lame, le fonctionnement des protections par rapport aux autres pièces de la machine et la pièce à usiner.



Lors de la réalisation de coupes en biseau, d'onglets ou d'onglets mixtes, régler le guide coulissant ou le sous-guide afin de garantir le dégagement complet de la lame.

Éviter le déverrouillage non contrôlé de la scie depuis la position complètement abaissée.

Le verrouillage de la poignée doit toujours être engagé lors du transport du produit.

Le produit doit être rangé à l'angle d'onglet et de biseau réglé à zéro degré et verrouillé en position. La poignée doit être verrouillée en position inférieure (sécuritaire) lorsque les protections sont fermées.

Lors du transport dans un véhicule, placer le produit sur sa base et l'attacher pour empêcher tout mouvement.

Soulever le produit uniquement par les poignées fournies à cet effet. Toujours utiliser les deux mains pour soulever le produit.

Maintenir la surface du sol exempte de matériaux en vrac, tels que les sciures et copeaux.

Éviter de retirer toute sciure, tout copeau ou toute autre partie de la pièce à usiner de la zone de coupe pendant que le produit est en marche et que la tête de la scie n'est pas en position de repos.

Les pièces à usiner longues doivent être convenablement soutenues. La zone de travail de la scie comprend la totalité de la pièce à usiner. L'opérateur doit empêcher tout contact accidentel avec d'autres personnes ou objets susceptibles de déplacer la pièce à usiner pendant le fonctionnement.

La poussière générée lors de l'utilisation du produit pourrait entraîner des risques pour la santé. Utiliser un système d'aspiration de la poussière et porter un masque anti-poussière adapté. Éliminer soigneusement les dépôts de poussière avec un aspirateur.

Afin d'assurer un dégagement correct avant de procéder à une découpe complexe ou en diagonale, un réglage du guide coulissant peut être nécessaire. S'assurer que la vis de verrouillage du guide coulissant est bien serrée après le réglage.

Le collier peut être installé et utilisé de l'autre côté de la lame. Dans certaines opérations, le collier peut gêner le bon fonctionnement de la protection de lame. Avant d'effectuer toute opération de coupe, toujours veiller à l'absence d'interférence avec la protection de la lame afin de réduire le risque de blessure grave.

**⚠ AVERTISSEMENT!** Lorsque vous effectuez une coupe à onglet de 70°, seul un angle de biseau de 0° est permis.

Les rallonges de table rotatives peuvent être réglées sur l'une des trois positions, en fonction du type de coupe souhaité.

Ne pas régler les rallonges sur les positions déverrouillées. Régler uniquement sur l'une des trois positions verrouillées.

Utiliser les rallonges rotatives pour effectuer des coupes d'onglet supérieures à 45°.

Ne pas remplacer la LED par un autre type de dispositif. Toute réparation doit uniquement être effectuée par le fabricant ou l'agent technique agréé.

Lors de l'utilisation du produit à l'extérieur, le fabricant recommande l'utilisation d'un dispositif du RCD avec un courant de déclenchement réglé à 30 mA.

Lors de l'utilisation du produit, les fluctuations de tension peuvent affecter d'autres produits électriques ou l'éclairage sur le même circuit d'alimentation. Brancher l'outil à une source d'alimentation avec une impédance égale à 0,299 Ω pour minimiser les fluctuations de tension. Contactez votre fournisseur d'électricité pour toute information.

## MAÎTRISEZ VOTRE PRODUIT

Voir page 2-3.

- Poignée, surface de préhension isolée
- Interrupteur
- Levier de déverrouillage de commutateur
- Interrupteur LED
- Protection supérieure
- Balai de carbone
- Bouton de verrouillage de l'arbre
- Goupille de verrouillage de la tête
- Protection inférieure
- Guide coulissant
- Guide fixe

- Rallonge de table rotative
- Bouton de verrouillage de la table
- Bouton de détente du contournement d'onglet
- Levier de verrouillage d'onglet
- Trou de montage
- Vis de réglage de la profondeur de découpe
- Écrou de profondeur de découpe
- Plaque de butée de profondeur de coupe
- Poignée de transport
- Clé hexagonale
- Bouton de verrouillage de l'angle de biseau
- Graduation du biseau
- Table tournante
- Vis pour verrouiller la graduation de l'onglet
- Sac à poussière
- Levier de limite de la barre coulissante
- Bouton de verrouillage de la barre coulissante
- Levier de détente du biseau
- Pince
- Graduation de l'onglet
- Éclairage à LED
- Flasque de lame extérieure
- Lame de scie
- Plaque de trait de scie

## LISTE DES PIÈCES DE RECHANGE

- PS254DBE: Scie à onglets EN 847-1/ ø254 x ø30 x 2,6 / 48T / HW / n max. 7400 min-1 (Page 3. N° 34)
- Plaque de trait de scie (Page 3. N° 35)
- Balai de carbone (Page 2. N° 6)

## ENTRETIEN

Ne pas apporter de modification à l'outil ni utiliser d'accessoires non approuvés par le fabricant. Votre sécurité et celle des autres peuvent être compromises.

Ne pas utiliser le produit si les interrupteurs, protections ou autres fonctions ne fonctionnent pas comme prévu. Retourner dans un centre d'entretien agréé pour réparation ou ajustement professionnel.

Ne pas effectuer de réglages lorsque la lame de scie est en mouvement.

Toujours s'assurer que le produit a été débranché de l'alimentation secteur avant d'effectuer des réglages, de lubrifier ou d'effectuer toute opération d'entretien sur le produit.

Avant et après chaque utilisation, vérifier que le produit n'est ni endommagé ni cassé. Maintenir le produit dans un état de fonctionnement optimal en remplaçant immédiatement les éléments endommagés par des pièces de rechange approuvées par le fabricant.

La lame a des bords tranchants et peut aussi rester chaude après les opérations de découpe. Faire preuve d'extrême prudence lors du nettoyage d'une lame exposée. Porter des gants pour vous protéger et éviter de vous blesser.

Nettoyer régulièrement la scie de façon à retirer toute la poussière, notamment au niveau des pièces en mouvement telles que la protection de la lame. Pour retirer efficacement la poussière, utiliser une balayette ou un aspirateur. Ne pas utiliser d'air comprimé.

Évitez d'utiliser des solvants pour nettoyer les pièces en plastique. La plupart des plastiques sont sensibles à différents types de solvants disponibles dans le commerce et peuvent être endommagés en cas d'utilisation. Utilisez des chiffons propres pour éliminer la saleté, la poussière de charbon, etc.

Utiliser uniquement des accessoires AEG et des pièces de rechange AEG. Si vous devez remplacer des composants qui n'ont pas été décrits, veuillez contacter un de nos agents de service AEG (consultez notre liste de contact pour les services et la garantie).

Au besoin, une vue éclatée du produit peut être commandée. Mentionnez le type du produit et le numéro de série imprimé sur l'étiquette, et commandez le schéma auprès de votre agent de service local ou directement au : Techtron Industries GmbH, Max-Eyth-Straße 10, 71364 Winnenden, Germany.



## SYMBOLLES

	Veillez lire attentivement les instructions avant d'utiliser le produit.
	PRUDENCE AVERTISSEMENT! DANGER
	Débrancher l'appareil de la prise de courant avant d'effectuer tout travail sur le produit.
	Outil de classe II, isolation double
	Porter une protection oculaire.
	Porter une protection auditive.
	Ne pas exposer l'appareil à la pluie ni l'utiliser dans des endroits humides.
	Porter des gants de sécurité.
	Ne pas approcher les mains de la zone de coupe et de la lame tranchante.
	PRUDENCE Ne pas regarder la lampe de fonctionnement.
	Sens de rotation de la lame
	Nombre de dents 48 HW
	Largeur de coupe 26 mm
	Taille de la lame et alésage de l'arbre
	Pour couper le bois uniquement
	Ajuster la position du guide coulissant avant de procéder à des coupes complexes ou en biseau.
	Ne pas jeter les déchets d'équipements électriques et électroniques parmi les déchets municipaux non triés. Les déchets d'équipements électriques et électroniques doivent être collectés séparément. Les sources lumineuses usagées doivent être retirées de l'équipement.

Pour obtenir des conseils en matière de recyclage et de points de collecte, se renseigner auprès des autorités locales ou du détaillant.

Selon les réglementations locales, les détaillants peuvent avoir l'obligation de récupérer gratuitement les déchets d'équipements électriques et électroniques.

Votre contribution à la réutilisation et au recyclage des déchets d'équipements électriques et électroniques permet de réduire la demande en matières premières.

Les déchets d'équipements électriques et électroniques contiennent des matériaux précieux et recyclables, qui peuvent avoir un impact négatif sur l'environnement et la santé humaine s'ils ne sont pas éliminés de manière respectueuse de l'environnement.

Supprimer les données personnelles de l'équipement usagé, le cas échéant.

V

Tension

~

Courant alternatif

CE

Marque de conformité européenne

Marque de conformité ukrainienne

EAC

Marque de conformité d'Eurasie

## IT TRADUZIONE DELLE ISTRUZIONI ORIGINALI

### UTILIZZO RACCOMANDATO

La troncatrice è utilizzabile per segare legno massiccio e agglomerato, materiali simili al legno, con o senza impiallacciatura e plastica.

La troncatrice deve essere utilizzata solo da operatori adulti, che abbiano letto il manuale di istruzioni e abbiano compreso rischi e pericoli.

La troncatrice è pensata per essere fissata a un piano di lavoro robusto. Se la base non viene fissata correttamente, l'intera macchina può muoversi durante le operazioni di taglio, il che aumenta il rischio di lesioni personali gravi.

La troncatrice è pensata per l'esecuzione di tagli a 90° e a smusso. Le caratteristiche dei tipi di taglio eseguibili sono incluse nelle specifiche tecniche del prodotto presenti in questo manuale.

La troncatrice deve essere usata in un ambiente asciutto, con eccellente illuminazione e adeguata ventilazione.

La troncatrice è pensata per l'uso da parte del consumatore e deve essere utilizzata esclusivamente come descritto in alto e non è pensata per altri scopi.

Non utilizzare il prodotto in modi diversi da quelli indicati.

**⚠ AVVERTENZA! Leggere tutte le istruzioni e avvertenze di sicurezza, le illustrazioni e le specifiche fornite con questo prodotto.** La mancata osservanza delle istruzioni riportate di seguito potrebbe provocare incidenti quali incendi, scosse elettriche e/o gravi lesioni fisiche.

**Conservare tutte le avvertenze e le istruzioni come riferimento futuro.**

### ISTRUZIONI DI SICUREZZA DELLA TRONCATRICE

**Le troncatrici sono progettate per tagliare legno o materiali analoghi al legno, pertanto non possono essere utilizzate**





con dischi per taglio e smeriglio su materiali ferrosi, come barre, aste, borchie, ecc. La presenza di polveri abrasive provoca l'inceppamento di parti mobili, come il dispositivo di protezione inferiore. Le scintille prodotte durante di taglio abrasivo possono bruciare il dispositivo di protezione inferiore, l'inserito di taglio, e altri pezzi in plastica.

Utilizzare i morsetti per supportare il pezzo di lavoro laddove possibile. Se il pezzo in lavorazione viene mantenuto con le dita, è necessario osservare sempre una distanza di almeno 100 mm tra mano e lama, su entrambi i versanti. Non utilizzare questa sega per tagliare pezzi troppo piccoli per essere clampati saldamente o tenuti con la mano. Accostare troppo la mano alla lama aumenta il rischio di lesioni personali.

Il pezzo in lavorazione deve essere fermo e bloccato, oppure deve essere mantenuto adeso alla guida di appoggio e al tavolo portapezzi. Non spingere il pezzo in lavorazione verso la lama né effettuare alcun tipo di taglio a "mano libera". Pezzi in lavorazione non fissati o mobili possono essere scagliati via ad alta velocità, causando lesioni.

Spingere la sega attraverso lo spessore del pezzo in lavorazione. Non tirare la sega attraverso il pezzo in lavorazione. Per eseguire un taglio, sollevare la testa della sega e spostarla sopra il pezzo senza tagliare, quindi avviare il motore, premere la testa della sega in basso e spingere la lama nel pezzo in lavorazione. Tagliare mentre si tira può determinare la risalita della lama della sega sulla parte superiore del pezzo in lavorazione, proiettando violentemente il gruppo di taglio verso l'operatore.

Non incrociare mai con la mano la traiettoria della linea di taglio prevista, sia anteriormente che posteriormente alla lama. È molto pericoloso sorreggere il pezzo in lavorazione a "mani incrociate", vale a dire trattendolo il pezzo a destra della lama con la mano sinistra, o viceversa.

Quando la lama è in funzione, non avvicinare le mani a meno di 100 mm dalla lama, su entrambi i lati, per rimuovere rimuovere scarti di legno, o per altri motivi, dietro la guida di appoggio. La prossimità della mano alla lama in rotazione può non essere immediatamente evidente e si corre il rischio di ferirsi gravemente.

Prima di procedere al taglio ispezionare il pezzo in lavorazione. Se il pezzo è curvo o deformato, fissarlo con il lato esterno curvo verso la guida di appoggio. Assicurarsi sempre che non resti spazio tra il pezzo in lavorazione, la guida di appoggio e il tavolo portapezzi lungo la linea del taglio. Pezzi in lavorazione curvi o deformati possono ruotare o spostarsi, causando il blocco della lama della sega nel materiale sottoposto a taglio. Il pezzo in lavorazione non deve contenere chiodi o altri elementi estranei.

Utilizzare la sega solo dopo aver sgombrato il tavolo portapezzi di ogni utensile, scarto di legno, ecc., con la sola eccezione del pezzo in lavorazione. A contatto con la lama rotante, eventuali detriti, pezzetti di legno o altri oggetti presenti possono essere proiettati tutt'intorno ad alta velocità.

Tagliare solo un pezzo alla volta. Pezzi multipli, impilati gli uni sugli altri, non possono essere adeguatamente fissati o bloccati, e possono perciò restare incastrati nella lama o spostarsi durante il taglio.

Prima dell'uso, assicurarsi che la troncatrice sia montata o collocata su una superficie di lavoro stabile e in piano. Una superficie di lavoro stabile e in piano riduce il rischio di instabilità della sega.

Pianificare il lavoro. Ogni volta che si cambia l'impostazione dell'angolo di taglio o di smusso, assicurarsi che la guida di appoggio regolabile sia impostata correttamente per supportare il pezzo senza interferire con la lama o con il sistema di protezione. Per assicurarsi che la guida di appoggio non interferisca e non venga tagliata, sempre "accendere" l'utensile e con il tavolo portapezzi vuoto, muovere la lama simulandone l'intera traiettoria di taglio.

In caso di pezzi in lavorazione più larghi o più lunghi del piano del tavolo portapezzi, procurare una superficie di appoggio adeguata, servendosi di prolunghes per il tavolo, di cavalletti, ecc. Se non adeguatamente supportati, i pezzi in lavorazione più lunghi o più larghi del tavolo portapezzi della troncatrice possono rovesciarsi. Rovesciandosi, il pezzo in lavorazione o quello tagliato può sollevare la protezione inferiore o essere proiettato via dalla lama rotante.

Per supportare il pezzo in lavorazione servirsi di una prolunga per il tavolo o di altri tipo di sostegno, mai di persone. Se il pezzo in lavorazione non viene stabilmente fissato, la lama può bloccarsi sul materiale da tagliare o spostare il pezzo risucchiando l'operatore e l'aiutante verso la lama rotante.

Il pezzo tagliato non deve essere incastrato né pressato con alcun mezzo contro la lama rotante della sega. Se vincolato, per esempio tramite arresti di lunghezza, il pezzo tagliato potrebbe incastrarsi contro la lama ed essere eiettato violentemente.

Utilizzare sempre un morsetto o un apposito dispositivo per fissare correttamente materiali a sezione circolare, come le barre o strutture tubolari. Durante il taglio le barre tendono a ruotare, determinando il "morso" e il tiraggio del pezzo, e della mano, nella lama rotante.

Lasciare che la lama raggiunga la piena velocità di rotazione prima di approssicare il pezzo in lavorazione. Ciò ridurrà il rischio di espulsione violenta del pezzo in lavorazione.

Se il pezzo in lavorazione o la lama si inceppano, spegnere la troncatrice. Attendere che tutte le parti in movimento si arrestino, quindi disconnettere la spina dalla presa elettrica e/o rimuovere il gruppo batteria. Procedere a liberare il materiale inceppato. Continuare il taglio con un pezzo in lavorazione inceppato può causare la perdita di controllo o il danneggiamento della troncatrice.

Una volta terminato il taglio rilasciare l'interruttore di attivazione e, prima di rimuovere il pezzo tagliato, mantenendo abbassata la testa sega, attendere l'arresto della lama rotante. Avvicinare la mano alla lama in fase di arresto è pericoloso.

In caso di taglio incompleto o quando si rilascia l'interruttore prima che la testa della sega sia completamente abbassata, mantenere saldamente la maniglia. L'azione di arresto della rotazione della sega può causare l'improvviso rinculo verso il basso della testa della sega, con rischio di lesioni personali.

#### ISTRUZIONI DI SICUREZZA PER LA LAMA DI TAGLIO IN LEGNO

Leggere attentamente il manuale e le istruzioni prima di utilizzare la lama per sega e la macchina.

Il prodotto deve essere in buone condizioni, il mandrino senza deformazioni e vibrazioni.

Non utilizzare il prodotto senza le protezioni in posizione.

Tenere le protezioni in ottimo stato e sottoporle correttamente a manutenzione.

Assicurarsi che l'operatore sia adeguatamente addestrato riguardo alle precauzioni di sicurezza da adottare, alle regolazioni e al funzionamento del prodotto.

Quando si utilizza il prodotto, indossare sempre dispositivi di protezione oculare e auricolare. Si consiglia di indossare guanti, scarpe antiscivolo robuste e un grembiule.

Prima di usare gli accessori, consultare il manuale di istruzioni. L'uso improprio di un accessorio può causare danni e un incremento della possibilità di lesioni.

Utilizzare solo le lame specificate in questo manuale, conformi allo standard EN 847-1.

Osservare la massima velocità indicata sulla lama della sega. Assicurarsi che la velocità contrassegnata sulla lama della sega sia almeno pari a quella indicata sulla stessa.

Utilizzare sempre lame della misura e forma corrette dei fori conici. Le lame che non corrispondono all'attrezzo di montaggio della lama usciranno eccentricamente, causando perdita di controllo.

Non utilizzare lame di diametro superiore o inferiore a quello consigliato. Non utilizzare tagliatori per adattare la lama al mandrino.

Controllare le punte della sega dentata per eventuali danni o aspetto anomalo prima di ogni uso. Le punte che sono danneggiate o lente possono diventare oggetti volanti in uso e aumentare le possibilità di lesioni personali.

Non utilizzare lame crepate o distorte. Non utilizzare lame danneggiate o deformate.

Scartare la lama se danneggiata, deformata, distorta o lesionata. La riparazione non è consentita.

Non utilizzare lame HSS.



EN

DE

FR

IT

ES

PT

NL

DA

NO

SV

FI

EL

TR

CS

SK

PL

HU

SL

HR

LV

LT

ET

RU

BG

RO

MK

UK

AR

f



Assicurarsi che la lama della sega sia stata montata correttamente e prima dell'uso serrare bene il dado conico (coppia di serraggio, circa 12 Nm).

La vite di fissaggio e i dadi devono essere serrati con l'apposita chiave, ecc.

L'estensione della chiave o la stretta usando colpi di martello non è consentita.

Assicurarsi che la lama e le flange siano pulite e che i lati rientrati dell'anello urtino contro la lama.

Assicurarsi che la lama ruoti nella direzione corretta.

Prima di iniziare a lavorare, praticare un taglio di prova senza accendere il motore in modo che la posizione della lama, il funzionamento delle protezioni rispetto agli altri pezzi della macchina e al pezzo di lavoro potranno essere verificati.

Non lasciare mai incustodito il prodotto.

Non applicare lubrificanti sulla lama mentre è in funzione.

Non effettuare mai lavori di pulizia o manutenzione se la macchina è in funzione e la testina non è nella posizione di riposo.

Non provare mai a fermare la macchina in rapido movimento inserendo un attrezzo o un altro mezzo contro la lama, si potrebbero causare inconsapevolmente grossi incidenti in questo modo.

Prima di cambiare le lame o di eseguire la manutenzione, scollegare il prodotto dalla rete elettrica o rimuovere il gruppo batteria.

Prestare attenzione alla confezione e all'apertura, è facile essere colpiti da punte di lame appuntite.

Durante la manipolazione di una lama, usare un portalamo o indossare dei guanti.

Conservare la lama nella confezione originale o altra confezione adeguata, mantenerla asciutta e lontano da agenti chimici che potrebbero danneggiare la lama.

## ISTRUZIONI OPERATIVE E DI SICUREZZA AGGIUNTIVE

Stringere sempre il pezzo di lavoro in modo sicuro.

Assicurarsi che il prodotto sia sempre stabile e sicuro (ad es. fissato su un piano).

Indossare sempre le protezioni per le orecchie! L'esposizione prolungata al rumore senza protezione può causare danni all'udito.

Quando si utilizza il prodotto indossare sempre gli occhiali protettivi. Si consiglia di indossare i guanti per maneggiare le lame e il materiale grezzo, oltre a robuste scarpe antiscivolo per proteggere i piedi dai pezzi di lavoro che potrebbero cadere dall'area di taglio.

Prima di effettuare qualsiasi operazione di manutenzione o di pulizia scollegare il prodotto dalla rete elettrica o rimuovere il gruppo batteria.

Collegare alla rete elettrica solo quando il prodotto è spento.

Mantenere il piombo della rete lontano dal campo di lavoro del prodotto. Tenere lontano dall'area in cui si trova l'operatore.

Non raggiungere mai l'area vicino alla lama a meno che questa non sia stata completamente fermata.

Prima dell'uso, controllare attentamente il prodotto, il cavo e la presa per eventuali segni di danno o di fatica dei materiali. Qualsiasi intervento di riparazione sul prodotto, incluso di cavo di alimentazione deve essere eseguito esclusivamente presso un centro di assistenza autorizzato.

Utilizzare sempre le protezioni presenti sul prodotto. Non utilizzare il prodotto se le protezioni non sono in posizione o non funzionano correttamente.

Il coprilama inferiore deve aprirsi solo quando la lama è abbassata sul pezzo in lavorazione e deve potersi muovere sempre liberamente e chiudere automaticamente.

Fissare e utilizzare sempre le barre di prolunga per supportare il pezzo in lavorazione durante il funzionamento della sega.

Non apportare mai modifiche al prodotto o alle sue modalità di funzionamento. La sicurezza potrebbe essere compromessa.

Non utilizzare lame che sono lesionate, danneggiate o deformate.

Non utilizzare lame realizzate in acciaio alta velocità.

Utilizzare solo lame che sono affilate. Sostituire le lame smussate.

Utilizzare sempre lame della misura e forma corrette dei fori conici. Le lame che non corrispondono all'attrezzo di montaggio della lama usciranno eccentricamente, causando perdita di controllo.

Utilizzare solo le lame per la lavorazione del legno specificate in questo manuale, conformi allo standard EN 847-1.

Non utilizzare flange, rondelle e dadi per stringere la lama diverse da quelle fornite o indicate nel manuale di istruzioni.

È necessario selezionare una lama che è adatta per il materiale tagliato. Non usare mai il prodotto per tagliare materiali diversi da quelli specificati in questo manuale nella sezione relativa all'uso previsto.

Durante il taglio è importante evitare il surriscaldamento della lama e l'eventuale fusione di parti in plastica.

È essenziale rispettare la velocità massima specificata sulla lama per sega. Utilizzare esclusivamente lame per sega contrassegnate con l'indicazione di velocità massima pari o superiore a quella indicata sullo strumento.

Sostituire l'insero della tavola se usurato o danneggiato.

Prima di iniziare a lavorare, praticare un taglio di prova senza accendere il motore in modo che la posizione della lama, il funzionamento delle protezioni rispetto agli altri pezzi della macchina e al pezzo di lavoro potranno essere verificati.

Durante l'esecuzione di tagli a 90°, smussi, o obliqui composti, regolare la guida o la sottoguida di appoggio scorrevole per assicurare una corretta distanza dalla lama.

Evitare il rilascio incontrollato della sega dalla posizione completamente abbassata.

Quando il prodotto viene trasportato occorre sempre inserire il dispositivo di blocco della maniglia.

Il prodotto deve essere conservato con sega e angolo di smusso a zero gradi e bloccato in posizione. La maniglia deve essere bloccata in posizione di sicurezza in basso con le protezioni chiuse.

Per il trasporto in un veicolo, posizionare il prodotto sulla base e proteggerlo da eventuali movimenti.

Sollevare il prodotto solo con le maniglie fornite a tale scopo.

Sollevare il prodotto con entrambe le mani.

Mantenere l'area del pavimento libera da materiali, come schegge e ritagli.

Astenersi dal rimuovere eventuali ritagli o altri pezzi di lavoro dall'area di taglio mentre il prodotto è in esecuzione e la testa della sega non è nella posizione di appoggio.

I pezzi da lavorare lunghi devono essere sostenuti adeguatamente. L'area di lavoro della sega include l'intera lunghezza del pezzo di lavoro. L'operatore deve proteggere l'area dal contatto accidentale con altre persone od oggetti che potrebbero spostare il pezzo di lavoro durante il funzionamento.

La polvere prodotta durante l'utilizzo del prodotto può essere dannosa per la salute. Utilizzare un sistema di aspirazione della polvere e indossare una maschera antipolvere adeguata. Rimuovere la polvere depositata accuratamente con un aspiratore.

Potrebbe essere necessario regolare la guida scorrevole per garantire un adeguato spazio libero prima di effettuare il taglio inclinato o composto. Assicurarsi che la vite di blocco della guida scorrevole sia stretta bene dopo la regolazione.

Il morsetto può essere installato e utilizzato su entrambi i lati della lama. In alcuni casi, il morsetto può interferire con il gruppo di protezione della lama. Assicurarsi sempre che non ci siano interferenze con la protezione della lama prima di iniziare l'operazione di taglio per ridurre il rischio di lesioni personali gravi.

**⚠ AVVERTENZA!** Quando si effettua un taglio della sega a 70°, è consentito solo un angolo di smusso a 0°.

I piani allungabili rotanti possono essere impostati in una delle tre posizioni, a seconda del tipo di taglio desiderato.

Non impostare i piani allungabili in posizioni sbloccate. Impostare solo in una delle tre posizioni di blocco.

Utilizzare i piani allungabili rotanti quando si effettuano tagli superiori ai 45°.

Non sostituire il LED con un tipo diverso. Eventuali riparazioni devono essere eseguite solo dal produttore o da un agente di assistenza autorizzato.



Quando si utilizza il prodotto all'esterno, il produttore consiglia di utilizzare un dispositivo RCD con lo scatto impostato a 30 mA.

Quando si utilizza il prodotto, le fluttuazioni di voltaggio potrebbero interessare altri prodotti elettrici o l'illuminazione sullo stesso circuito elettrico. Collegare lo strumento a una fonte di alimentazione con un'impedenza pari a 0,299 Ω per ridurre al minimo le fluttuazioni di voltaggio. Contattare il fornitore di energia elettrica per ulteriori chiarimenti.

### FAMILIARIZZARE CON IL PRODOTTO

Vedere le pagine 2-3.

1. Impugnatura con superficie isolata antiscivolo
2. Interruttore di accensione
3. Leva di blocco dell'interruttore
4. Interruttore LED
5. Protezione superiore
6. Spazzola al carbonio
7. Pulsante di blocco mandrino
8. Perno di blocco testa
9. Protezione inferiore
10. Guida scorrevole
11. Guida fissa
12. Piano allungabile rotante
13. Pulsante di blocco piano
14. Pulsante di bypass dente di taglio
15. Leva di blocco della sega
16. Foro di montaggio
17. Vite di regolazione della profondità di taglio
18. Dado di blocco della profondità di taglio
19. Piastra di arresto profondità di taglio
20. Manico di trasporto
21. Chiave esagonale
22. Pomello di blocco angolo di smusso
23. Scala di smusso
24. Girevole
25. Viti per blocco della scala di taglio
26. Sacchetto
27. Leva limitazione barra di scorrimento
28. Pomello di blocco barra di scorrimento
29. Leva dente di smusso
30. Morsetto
31. Scala di taglio
32. Luce LED
33. Flangia esterna
34. Lama
35. Piastra di taglio

### ELENCO PEZZI DI RICAMBIO

- PS254DBE: Troncatrice EN 847-1/ ø254 x ø30 x 2,6 / 48T / HW / n max. 7400 min-1 (Pagina 3. N. 34)
- Piastra di taglio (Pagina 3. N. 35)
- Spazzola in carbonio (Pagina 2. N. 6)

### MANUTENZIONE

Non modificare il prodotto in nessun modo o utilizzare accessori non approvati dal produttore. La sicurezza vostra e degli altri potrebbe essere compromessa.

Non utilizzare il prodotto se ci sono interruttori, protezioni o altre funzioni che non vanno come previsto. Inviare il prodotto a un centro di assistenza autorizzato per la riparazione o la sostituzione professionali.

Non effettuare regolazioni mentre la lama a sega è in movimento.

Assicurarsi sempre che il prodotto sia scollegato dalla presa di corrente prima di effettuare regolazioni, operazioni di lubrificazione o manutenzione sul prodotto.

Verificare la presenza di danni o pezzi rotti sul prodotto prima e dopo ogni utilizzo. Tenere il prodotto nelle migliori condizioni di lavoro sostituendo immediatamente i pezzi con altri approvati dal produttore.

La lama presenta dei bordi affilati e dopo le operazioni di taglio può rimanere calda. Usare estrema cautela durante la pulizia di una lama esposta. Indossare dei guanti per evitare lesioni.

Pulire la polvere depositata sulla sega e sugli accessori regolarmente, con particolare riguardo ai pezzi mobili, compreso il dispositivo di protezione della lama. Utilizzare un pennello a mano

o un aspirapolvere per rimuovere la polvere in modo efficace. Non utilizzare aria compressa.

Evitare di usare solventi quando si puliscono pezzi di plastica. La maggior parte delle plastiche sono suscettibili a vari tipi di solventi commerciali e potrebbero danneggiarsi con l'uso. Utilizzare panni puliti per rimuovere sporco, polvere al carbone, ecc.

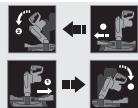
Usare solo accessori e parti di ricambio AEG. In caso di sostituzione di componenti che non sono stati descritti, rivolgersi a uno degli agenti di assistenza AEG (consultare la lista degli indirizzi per garanzia/assistenza).

Se necessario si può ordinare una vista esplosa del prodotto. Indicare il tipo di prodotto e il numero di serie stampato sull'etichetta e ordinare il disegno presso l'agente di assistenza locale oppure direttamente a: Techtronic Industries GmbH, Max-Eyth-Straße 10, 71364 Winnenden, Germany.

### Simboli

	Leggere attentamente le istruzioni prima di utilizzare il prodotto.
	ATTENZIONE! AVVERTENZA! PERICOLO!
	Scollegare la spina dalla presa di corrente prima di effettuare operazioni sul prodotto.
	Strumento Classe II, doppio isolamento
	Indossare una protezione oculare.
	Indossare la protezione per orecchie.
	Non esporre a pioggia o usare in luoghi umidi.
	Indossare guanti protettivi.
	Tenere le mani lontane dall'area di taglio e dalla lama affilata.
	ATTENZIONE! Non fissare con lo sguardo la lampada operativa.
	Direzione di rotazione della lama
	Denti lama
	Larghezza di taglio
	Foro conico e dimensione lama
	Solo per il taglio sul legno

- EN
- DE
- FR
- IT
- ES
- PT
- NL
- DA
- NO
- SV
- FI
- EL
- TR
- CS
- SK
- PL
- HU
- SL
- HR
- LV
- LT
- ET
- RU
- BG
- RO
- MK
- UK
- AR
-



Regolare la posizione della guida scorrevole prima di effettuare il taglio inclinato o composto.



Non smaltire i dispositivi elettrici ed elettronici come normali rifiuti. I dispositivi elettrici ed elettronici dovranno essere raccolti separatamente.

Le fonti luminose non più utilizzabili dovranno essere rimosse dall'apparecchiatura.

Consultare l'autorità locale o il rivenditore per consigli sullo smaltimento e il punto di raccolta.

In base alle normative locali i rivenditori potrebbero avere l'obbligo di riprendersi gratuitamente le apparecchiature elettriche ed elettroniche.

Il vostro contributo al riciclaggio delle apparecchiature elettriche ed elettroniche aiuta a ridurre la richiesta di materie prime.

Le apparecchiature elettriche ed elettroniche di scarto contengono materiali preziosi e riciclabili che potrebbero avere un impatto avverso sull'ambiente e la salute umana, se non smaltiti in un modo ecocompatibile.

Eliminare i dati personali, se presenti, dalle apparecchiature da buttare.

V

Tensione



Corrente alternata



Marchio di conformità europeo



Marchio di conformità ucraino



Marchio di conformità EurAsian

## ES TRADUCCIÓN DEL MANUAL ORIGINAL

### APLICACIÓN DE ACUERDO A LA FINALIDAD

La sierra ingletadora tiene como uso previsto el serrado de madera maciza y aglomerados, materiales similares a la madera, con o sin chapado exterior, y plásticos.

La sierra ingletadora debe ser utilizada solamente por usuarios adultos que hayan leído el manual de instrucciones y que comprendan los riesgos y peligros asociados al uso de este producto.

La sierra ingletadora se ha diseñado para poder fijar su base a un banco de trabajo sólido. Si no se fija correctamente la base, toda la máquina podría moverse durante las operaciones de corte, aumentando así el riesgo de que se produzcan lesiones personales graves.

La sierra ingletadora está diseñada para hacer cortes oblicuos y en inglete. La capacidad para realizar los diferentes tipos de corte viene indicada en las especificaciones del producto incluidas en este manual.

La sierra ingletadora se debe utilizar en condiciones secas, con una excelente iluminación ambiental y una ventilación adecuada.

La sierra ingletadora está destinada al uso personal y solo se debe utilizar del modo descrito anteriormente, y no se puede utilizar con ningún otro fin.

Utilice el producto exclusivamente para el uso para el que fue diseñado.

**⚠️ ¡ADVERTENCIA! Lea atentamente todas las advertencias, instrucciones y especificaciones suministradas con la herramienta, y consulte las ilustraciones.** El incumplimiento de las instrucciones que se indican a continuación puede ocasionar diversos accidentes como incendios, descargas eléctricas y/o graves heridas corporales.

**Guarde todas las advertencias e instrucciones para futuras consultas.**

### INSTRUCCIONES DE SEGURIDAD PARA SIERRAS INGLETADORAS

Las sierras ingletadoras están diseñadas para cortar madera o productos similares, no se pueden utilizar con discos de corte abrasivos para cortar materiales ferrosos como barras, varillas, pernos, etc. El polvo abrasivo provoca que las piezas móviles como la protección inferior se atasquen. Las chispas que se desprenden de los cortes abrasivos quemarán la protección inferior, el hueco para el corte y otras piezas de plástico.

**Siempre que resulte posible, utilice mordazas para fijar la pieza de trabajo. Si sujeta la pieza con la mano, colóquela al menos a 100 mm de distancia de cada lado de la cuchilla de la sierra. No utilice esta sierra para cortar trozos demasiado pequeños como para fijarlos o sujetarlos con la mano con seguridad.** Si tiene la mano demasiado cerca de la cuchilla de la sierra, hay un creciente riesgo de lesión por contacto.

**La pieza debe estar fija y enganchada o sujeta contra el tope y la mesa. No meta la pieza en la cuchilla ni corte «mano alzada» en ningún caso.** Las piezas descontroladas o móviles pueden salir despedidas a velocidades elevadas, provocando lesiones.

**Empuje la sierra en la pieza. No tire de la sierra desde la pieza. Para hacer un corte, levante el cabezal de la sierra y sáquelo de la pieza sin cortar, encienda el motor, apriete el cabezal de la sierra y empuje la sierra en la pieza.** Si se corta empujando hacia afuera, es probable que el filo de la sierra salte sobre la pieza y la hoja salga violentamente despedida hacia el operario.

**Nunca cruce la mano por la línea prevista de corte o por delante o detrás de la cuchilla de la sierra.** Sujetar la pieza con las «manos cruzadas», p. ej., sujetando la pieza a la derecha de la cuchilla de la sierra con la mano izquierda o viceversa es muy peligroso.

**No meta ninguna de las manos por detrás del tope, a menos de 100 mm de cada lado de la cuchilla de la sierra, para quitar pedazos de madera o por cualquier otro motivo, cuando la hoja está girando.** La proximidad de su mano a la cuchilla de la sierra girando quizá no sea tan obvia y podría herirse gravemente.

**Analice la pieza antes de cortarla. Si la pieza está arqueada o deformada, sujétela con el lado arqueado hacia el tope. Asegúrese siempre de que no hay huecos entre la pieza, el tope y la mesa a lo largo de la línea de corte.** Las piezas dobladas o deformadas se pueden girar o mover y provocar que se atasque la cuchilla giratoria de la sierra al cortar. No debería haber clavos ni objetos extraños en la pieza.

**No use la sierra hasta que la mesa esté despejada de herramientas, trozos de madera, etc., de manera que solo esté la pieza.** Residuos pequeños o piezas sueltas de madera u otros objetos que están en contacto con la cuchilla giratoria pueden salir despedidos a alta velocidad.

**Corte solo una pieza a la vez.** Si se apilan varias piezas, no podrán sujetarse o asegurarse correctamente y podrían atascarse en la cuchilla o moverse durante el corte.

**Asegúrese de que la sierra ingletadora está montada o colocada en una superficie de trabajo firme y nivelada antes de su uso.** Una superficie de trabajo firme y nivelada reduce el riesgo de que la sierra ingletadora esté inestable.

**Planifique su trabajo. Cada vez que cambie los ajustes de ángulo de bisel e inglete, asegúrese de que el tope ajustable está colocado correctamente para sujetar la pieza y que no interferirá con la cuchilla ni el sistema de protección.** Sin «ENCENDER» la herramienta y sin piezas en la mesa, desplace



la cuchilla de la sierra por un corte completo simulado para asegurarse de que no interfiere ni hay peligro de cortar el tope.

**Proporcione un soporte adecuado como extensiones de mesa, caballetes, etc., para una pieza que sea más ancha o más larga que la encimera.** Si las piezas son más largas o más anchas que la mesa de la sierra ingletadora, se pueden volcar si no se sujetan de manera segura. Si la pieza de corte vuelca, podría levantar la protección inferior o salir lanzada por la cuchilla giratoria.

**No utilice a otra persona como sustituta de una extensión de mesa ni como soporte adicional.** Si la pieza se sujeta de manera inestable, la cuchilla puede atascarse o la pieza puede moverse durante la operación de corte, empujándole a su ayudante y a usted a la cuchilla giratoria.

**La pieza de corte no debe quedarse atascada ni empujada en ningún caso contra la cuchilla giratoria de la sierra.** Si se limita, p. ej. con otros topes, la pieza de corte podría quedarse atrapada contra la cuchilla y salir despedida violentamente.

**Utilice siempre una pinza o una fijación diseñados para sujetar correctamente material curvo como cilindros varillas o tubos.** Las varillas tienen tendencia a rodar al cortarse, lo que provoca que la cuchilla «muerda», así que empuje la pieza con la mano hacia la cuchilla.

**Deje que la cuchilla alcance la velocidad total antes de entrar en contacto con la pieza.** Esto reducirá el riesgo de que la pieza salga despedida.

**Si la pieza de trabajo o el disco de sierra se atascan, apague la sierra ingletadora. Espere a que todas las piezas móviles se detengan y desconecte el enchufe de la fuente de alimentación y/o retire la batería. A continuación, libere el material atascado.** Si se sigue serrando con una pieza atascada, podría perderse el control o dañarse la sierra ingletadora.

**Al acabar el corte, suelte el interruptor, sujete el cabezal de la sierra y espere a que la cuchilla se detenga antes de quitar la pieza de corte.** Acercar la mano a la cuchilla que sigue girando es peligroso.

**Sujete el asa con fuerza al hacer un corte incompleto o cuando suelte el interruptor antes de que el cabezal de la sierra esté completamente en la posición baja.** La acción de frenado de la sierra puede provocar que el cabezal de la sierra caiga repentinamente hacia abajo, con riesgo de lesiones.

#### INSTRUCCIONES DE SEGURIDAD PARA LA CUCHILLA DE CORTE DE MADERA

Lea el manual y las instrucciones atentamente antes de usar la cuchilla de la sierra y la máquina.

El producto debe estar en buen estado, el husillo no debe tener ninguna deformación ni producir vibraciones.

No utilice el producto sin las protecciones en su sitio. Mantenga las protecciones en buen estado de funcionamiento y realice un mantenimiento adecuado.

Asegúrese de que el operario esté adecuadamente formado en precauciones de seguridad, ajustes y funcionamiento del producto.

Lleve siempre gafas y protección auditiva al utilizar el producto. Se recomienda usar guantes, calzado resistente y antideslizante y delantal.

Antes de utilizar un accesorio, consulte el manual de instrucciones. El uso inadecuado de un accesorio puede provocar daños y aumentar la posibilidad de lesiones.

Use solo cuchillas especificadas en este manual, que cumplen la norma EN 847-1.

Respete la velocidad máxima indicada en el disco de sierra. Asegúrese de que la velocidad indicada en el disco de sierra es al menos igual a la velocidad indicada en la sierra.

Utilice siempre discos con el tamaño y forma correctos de los orificios del árbol. El uso de discos de sierra que no coincidan con el hardware de montaje de la sierra provocará un funcionamiento excéntrico, causando una pérdida de control de la herramienta.

No utilice discos de un diámetro mayor o inferior al recomendado. No utilice separadores para encajar el disco en el husillo.

Antes de cada uso, compruebe las puntas del disco de sierra en busca de daños o un aspecto anómalo. Las puntas que estén dañadas o sueltas pueden salir proyectadas durante el uso y aumentar la posibilidad de sufrir lesiones personales.

No utilice discos de sierra agrietados o deformados. No utilice discos de sierra dañados o deformados.

Desheche el disco de sierra si está dañado, deformado o agrietado. No se permite la reparación.

No utilice discos HSS.

Asegúrese de que el disco de sierra esté montado correctamente, apriete la tuerca del árbol firmemente antes de su uso (par de apriete de aprox. 12 Nm).

Las tuercas y tornillos de fijación se tienen que apretar con la llave adecuada, etc.

No se permite extender la llave ni apretar mediante golpes de martillo.

Asegúrese de que el disco y las bridas estén limpios y que los lados encajados del cuello estén presionados contra el disco.

Asegúrese de que el disco gire en la dirección correcta.

Antes de llevar a cabo el trabajo, realice un simulacro de corte sin encender el motor para poder comprobar la posición del disco de sierra, el funcionamiento de las protecciones respecto al resto de componentes de la máquina y la pieza de trabajo.

Nunca deje el producto sin supervisión.

No aplique lubricantes en el disco cuando esté en funcionamiento.

Nunca realice trabajos de limpieza o mantenimiento cuando la máquina esté en funcionamiento y el cabezal no esté en posición de reposo.

Nunca intente detener una máquina en marcha rápidamente atascando una herramienta u otro objeto contra el disco, ya que se podrían provocar accidentes graves involuntariamente.

Desconecte el producto de la toma de corriente o retire la batería antes de cambiar los discos de sierra o de realizar tareas de mantenimiento.

Preste atención cuando embale y desembale los discos de sierra; es fácil sufrir una lesión debido a las puntas afiladas de la hoja de sierra.

Utilice un soporte de discos o guantes para manipular los discos de sierra.

Guarde y almacene el disco de sierra en su embalaje original o en otro embalaje adecuado; manténgalo en un lugar seco y alejado de sustancias químicas que puedan dañarlo.

#### INSTRUCCIONES ADICIONALES DE SEGURIDAD Y FUNCIONAMIENTO

Fije siempre la pieza de trabajo de forma segura.

Asegúrese de que el producto se mantenga siempre estable y seguro (por ejemplo, fijado en un banco de trabajo).

Lleve siempre protectores acústicos. La exposición a niveles de ruido excesivos puede causar pérdida de audición.

Lleve siempre gafas de seguridad al utilizar el producto. Se recomienda llevar guantes para manipular los discos y los materiales rugosos, así como calzado resistente y antideslizante para proteger los pies de las piezas de trabajo que puedan desprenderse de la zona de corte.

Desconecte el producto de la toma de corriente o retire la batería antes de realizar ninguna tarea de mantenimiento o limpieza del producto.

Solo conecte el producto a la toma de corriente cuando esté apagado.

Mantenga el cable de alimentación alejado de la zona de trabajo del producto. Manténgalo alejado de la zona donde se encuentra el operador.

Nunca se acerque a la zona cerca del disco a menos que este se haya detenido por completo.

Antes de su uso, compruebe minuciosamente el producto, el cable y el enchufe en busca de cualquier daño o desgaste de los materiales. La reparaciones de todo el producto, incluido el cable de alimentación, solo debe realizarlas un centro de servicio autorizado.

Utilice siempre las protecciones del producto. No utilice el producto si las protecciones no están en su sitio y funcionando correctamente.



EN

DE

FR

IT

ES

PT

NL

DA

NO

SV

FI

EL

TR

CS

SK

PL

HU

SL

HR

LV

LT

ET

RU

BG

RO

MK

UK

AR

f

f

f

f

f

f

f

f

f

f

f

f

f

f

f

f

f

f

f

f

f

f

f

f

f

f



La protección inferior de la cuchilla solo se debería abrir cuando la cuchilla descienda sobre la pieza de trabajo y siempre se debe poder mover libremente y cerrar de forma automática.

Fije siempre la pieza y utilice barras de extensión para sujetarla durante la operación.

Nunca altere ni modifique el producto o su función. Su seguridad puede verse comprometida.

No utilice discos de sierra agrietados, dañados o deformados.

No utilice discos de sierra de acero de alta velocidad.

Utilice únicamente discos afilados. Sustituya los discos desafilados.

Utilice siempre discos con el tamaño y forma correctos de los orificios del árbol. El uso de discos de sierra que no coincidan con el hardware de montaje de la sierra provocará un funcionamiento excéntrico, causando una pérdida de control de la herramienta.

Use solo las cuchillas para madera especificadas en este manual, que cumplen con la norma EN 847-1.

No utilice bridas, arandelas y tuercas para asegurar el disco de sierra salvo las suministradas o indicadas en el manual de instrucciones.

Se debe seleccionar un disco de sierra adecuado al material que se está cortando. Nunca utilice el producto para cortar materiales distintos a los especificados en la sección de uso previsto de este manual.

Es importante evitar que la cuchilla se sobrecaliente y derrita el plástico al cortar.

Es esencial respetar la velocidad máxima especificada en el disco de sierra, así que use solo aquel marcado con una velocidad igual o mayor a la que se especifique en la herramienta.

Sustituya el accesorio para mesa si está desgastado o dañado.

Antes de llevar a cabo el trabajo, realice un simulacro de corte sin encender el motor para poder comprobar la posición del disco de sierra, el funcionamiento de las protecciones respecto al resto de componentes de la máquina y la pieza de trabajo.

Al realizar cortes oblicuos y en inglete o de ingletadora compuesta, ajuste el tope deslizante o el subtope para asegurarse que la distancia desde la cuchilla es la correcta.

Evite el soltado no controlado de la sierra en la posición totalmente bajada.

El bloqueo del mango tiene que estar siempre activado al transportar el producto.

El producto se debe almacenar en el ángulo para ingletes y biseles de cero grados y en posición de bloqueo. El mango debe estar bloqueado en la posición inferior (segura) con las protecciones cerradas.

Durante el transporte en un vehículo, coloque el producto en su base y asegúrelo para evitar que se mueva.

Levante el producto solo por los mangos proporcionados para este fin. Utilice siempre las dos manos para levantar el producto.

Mantenga el suelo libre de materiales sueltos, como virutas y recortes.

No retire ningún recorte ni ninguna otra parte de la pieza de trabajo del área de corte mientras el producto esté en funcionamiento y el cabezal de la sierra no esté en la posición de reposo.

Las piezas de trabajo largas deben contar con apoyos adecuados. La zona de trabajo de la sierra incluye toda la extensión de la pieza de trabajo. El operador debe asegurar esta zona del contacto accidental de otras personas u objetos que puedan mover la pieza de trabajo durante el proceso.

El polvo producido durante el uso del producto puede suponer un peligro para la salud. Utilice un sistema de aspiración de polvo y una máscara de protección contra el polvo adecuada. Retire el polvo depositado en toda la máquina con un aspirador.

Puede que sea necesario ajustar el tope deslizante para garantizar una distancia correcta antes de realizar cortes en inglete o compuestos. Asegúrese de que el tornillo de bloqueo del tope deslizante esté bien fijado después del ajuste.

La abrazadera se puede instalar y utilizar en cualquiera de los dos lados del disco. En algunas operaciones, la abrazadera puede interferir con el conjunto de la protección del disco. Asegúrese siempre de que no haya ninguna interferencia con la protección del

disco antes de iniciar cualquier operación de corte para reducir el riesgo de que se produzca una lesión personal grave.

**⚠ ¡ADVERTENCIA!** Al realizar cortes en inglete de 70°, solo se permite un ángulo de bisel de 0°.

Las mesas de extensión giratorias se pueden poner en una de las tres posiciones, en función del tipo de corte deseado.

No ponga las mesas de extensión en las posiciones de desbloqueo. Póngala únicamente en una de las tres posiciones de bloqueo.

Utilice las mesas de extensión giratorias cuando realice cortes en inglete superiores a 45°.

No sustituya la LED por otra de un tipo diferente. Todas las reparaciones deben ser realizadas únicamente por el fabricante o por un técnico de servicio autorizado.

Cuando utilice el producto al aire libre, el fabricante recomienda el uso de un dispositivo de RCD con una corriente de desconexión establecida a 30 mA.

Al utilizar el producto, las fluctuaciones de tensión pueden afectar a otros productos eléctricos o sistemas de iluminación en el mismo circuito de alimentación. Conecte la herramienta a una fuente de alimentación con una impedancia igual a 0,299 Ω para minimizar las fluctuaciones de tensión. Póngase en contacto con el proveedor de energía eléctrica para solicitar más aclaraciones.

## CONOZCA SU PRODUCTO

Ver página 2-3.

1. Mango, superficie de agarre aislada
2. Interruptor de alimentación
3. Palanca de desbloqueo del interruptor
4. Interruptor de LED
5. Protección superior
6. Escobilla de carbón
7. Botón de bloqueo del husillo
8. Pasador de seguridad del cabezal
9. Protección inferior
10. Tope deslizante
11. Tope fijo
12. Mesa de extensión giratoria
13. Botón de bloqueo de la mesa
14. Botón de desvío de frenado de inglete
15. Palanca de bloqueo de la ingletadora
16. Orificio de montaje
17. Tornillo de ajuste de profundidad de corte
18. Tuerca de bloqueo de profundidad de corte
19. Plaquita de tope de la profundidad de corte
20. Asa de transporte
21. Llave hexagonal
22. Perilla de bloqueo del ángulo de bisel
23. Escala de bisel
24. Placa giratoria
25. Tornillos para bloquear la escala de bisel
26. Bolsa de polvo
27. Palanca de límite de la barra deslizante
28. Perilla de bloqueo de la barra deslizante
29. Palanca de frenado de bisel
30. Abrazadera
31. Escala del inglete
32. LED
33. Brida exterior
34. Disco de sierra
35. Placa de corte

## LISTA DE PIEZAS DE SUSTITUCIÓN

- PS254DBE: Ingletadora EN 847-1/  $\varnothing 254 \times \varnothing 30 \times 2,6 / 48T / HW / n \text{ máx. } 7400 \text{ min}^{-1}$  (Página 3. N.º 34)
- Placa de corte (Página 3. N.º 35)
- Cepillo de carbón (Página 2. N.º 6)

## MANTENIMIENTO

No modifique el producto de ningún modo ni utilice accesorios no aprobados por el fabricante. Su seguridad y la de los demás puede verse comprometida.

No utilice el producto si los enchufes, protecciones u otras funciones no funcionan de la forma prevista. Devuelva el producto a un centro de servicio autorizado para su ajuste o reparación profesional.

No realice ajustes mientras el disco de sierra esté en movimiento.

Asegúrese siempre de que la batería se haya desconectado del cable de alimentación antes de realizar los ajustes, lubricar o cuando se realice algún tipo de mantenimiento en el producto.

Antes y después de cada uso, compruebe que no haya daños ni piezas rotas en el producto. Mantenga el producto en un estado de funcionamiento óptimo sustituyendo de inmediato las piezas por recambios aprobados por el fabricante.

La cuchilla tiene bordes afilados y también puede estar caliente después de realizar operaciones de corte. Extreme las precauciones cuando limpie una cuchilla expuesta. Utilice guantes para protegerse y evitar lesiones.

Limpie el polvo de la sierra y sus accesorios regularmente, especialmente las piezas móviles como la protección de la cuchilla. Utilice un cepillo de mano o una aspiradora para quitar el polvo con eficacia. No utilice aire comprimido.

Evite el uso de disolventes para la limpieza de los componentes de plástico. La mayoría de los plásticos son sensibles a diferentes tipos de disolventes comerciales y su uso puede provocar daños. Utilice paños limpios para quitar la suciedad, la carbonilla, etc.

Utilice exclusivamente accesorios AEG y piezas de recambio AEG. Si es necesario sustituir algún componente que no se haya descrito, póngase en contacto con nuestro agente de servicio de AEG (ver nuestra lista de direcciones de garantía/mantenimiento).

Si fuera necesario, se puede solicitar una vista ampliada del producto. Indique el tipo de producto y el número de serie que aparecen impresos en la etiqueta, y solicite el esquema a sus agentes de servicio locales o directamente a: Techtronic Industries GmbH, Max-Eyth-Straße 10, 71364 Winnenden, Germany.

## SÍMBOLOS

	Lea las instrucciones atentamente antes de poner en marcha el producto.
	¡PRECAUCIÓN! ¡ADVERTENCIA! ¡PELIGRO!
	Desconecte el enchufe de la toma de corriente antes de realizar cualquier trabajo en el producto.
	Herramienta de clase II, aislamiento doble
	Utilice protecciones oculares.
	Utilice protección auditiva.
	No lo exponga a la lluvia ni lo utilice en entornos húmedos.
	Utilice guantes de seguridad.
	Mantenga las manos alejadas del área de corte y de la hoja de sierra afilada.
	¡PRECAUCIÓN! No mire fijamente a la luz encendida.
	Dirección de rotación del disco

	Dientes de la hoja
	Anchura de corte
	Orificio del árbol y tamaño del disco
	Solo para cortar madera
	Ajuste la posición del tope deslizante antes de llevar a cabo cortes en bisel o compuestos.
	No deseche los residuos de aparatos eléctricos y electrónicos como residuos municipales no clasificados. Los residuos de aparatos eléctricos y electrónicos se deben recoger de forma independiente. Los residuos de fuentes de luz se deben retirar de los aparatos. Consulte a sus autoridades locales o a su vendedor para obtener información sobre reciclaje y puntos de recogida. De acuerdo con lo establecido en las normativas locales, los establecimientos minoristas pueden tener la obligación de recuperar los residuos de aparatos eléctricos y electrónicos de forma gratuita. Su contribución a la hora de reutilizar y reciclar los residuos de aparatos eléctricos y electrónicos ayuda a reducir la demanda de materias primas. Los residuos de aparatos eléctricos y electrónicos contienen materiales valiosos que se pueden reciclar, y que podrían afectar de forma negativa al medio ambiente y a la salud humana si no se desechan de un modo medioambientalmente responsable. Si lo hubiera, elimine cualquier dato personal de los residuos de los aparatos.
	Voltios
	Corriente alterna
	Marca de conformidad europea
	Marca de conformidad de Ucrania
	Certificado EAC de conformidad

EN
DE
FR
IT
ES
PT
NL
DA
NO
SV
FI
EL
TR
CS
SK
PL
HU
SL
HR
LV
LT
ET
RU
BG
RO
MK
UK
AR



## PT TRADUÇÃO DO MANUAL ORIGINAL

### USO PREVISTO

A serra de esquadria destina-se a ser utilizada para serrar madeira sólida e aglomerado de madeira, materiais semelhantes a madeira (com ou sem verniz colado) e plásticos.

A serra de esquadria destina-se a ser utilizada por operadores adultos que tenham lido o manual de instruções e que compreendam os riscos e os perigos.

A serra de esquadria foi concebida para ser fixada pela base ao tempo de uma bancada sólida. Se a base não estiver fixada com firmeza e em segurança, o produto poderá deslocar-se durante as operações de corte, aumentando o risco de ferimentos graves.

A serra de esquadria foi concebida para fazer cortes biselados e em esquadria. As capacidades para os diversos cortes são dadas nas características técnicas do produto, neste manual.

A serra de esquadria destina-se a ser utilizada em condições secas, com iluminação ambiente excelente e ventilação adequada.

A serra de esquadria destina-se a ser utilizada pelo consumidor apenas como descrito acima; não se destina a qualquer outra finalidade.

Utilize o produto exclusivamente para o uso para o qual foi concebido.

**⚠️ ADVERTÊNCIA!** Leia todas as instruções dos avisos de segurança, as ilustrações e as especificações técnicas fornecidas com este produto. O incumprimento das instruções seguintes pode ocasionar acidentes como incêndios, choques elétricos e/ou ferimentos graves.

Guarde todos os avisos e instruções para referência futura.

### INSTRUÇÕES DE SEGURANÇA PARA SERRAS DE ESQUADRIA

As serras de esquadria foram concebidas para cortar madeira e produtos semelhantes a madeira. Não podem ser utilizadas com discos de corte abrasivos para cortar materiais ferrosos (por exemplo, barras, varetas, Pernos, etc.). O pó abrasivo faz com que as peças móveis encravem (por exemplo, o resguardo inferior). As faíscas causadas pelo corte abrasivo irão queimar o resguardo inferior, o acessório de corte e outras peças de plástico.

Sempre que possível, utilize grampos para apoiar a peça de trabalho. Se apoiar a peça de trabalho à mão, tem de manter sempre a sua mão afastada no mínimo 100 mm de ambos os lados da lâmina da serra. Não utilize esta serra para cortar peças demasiado pequenas para serem agarradas em segurança com um grampo ou para serem agarradas com a mão. Posicionar a sua mão demasiado perto da lâmina da serra aumenta o risco de ferimentos causados pelo contacto com a lâmina.

A peça de trabalho tem de estar parada e fixada com um grampo, ou ser agarrada por forma a ficar encostada simultaneamente à proteção e à mesa. Não coloque a peça de trabalho na lâmina nem faça cortes de "mão livre", seja de que maneira for. Peças de trabalho que não estejam fixadas ou que estejam em movimento podem ser projetadas a alta velocidade, causando ferimentos.

Empurre a serra através da peça de trabalho. Não puxe a serra através da peça de trabalho. Para fazer um corte, levante a cabeça da serra e puxe-a para fora, por cima da peça de trabalho – sem cortar – ponha o motor a trabalhar, empurre a cabeça da serra para baixo e empurre a serra através da peça de trabalho. Se for feito um corte durante o movimento de puxar, é provável que isso faça com que a lâmina da serra suba para cima da peça de trabalho e que o conjunto da lâmina seja lançado com violência na direção do utilizador.

Nunca atravesse a linha de corte com a sua mão – nem à frente nem atrás da lâmina da serra. Apoiar a peça de trabalho "com as mãos cruzadas", ou seja, segurar a peça de trabalho à direita da lâmina da serra com a sua mão esquerda, ou vice-versa, é extremamente perigoso.

Enquanto a lâmina estiver a rodar, não estenda nenhuma das mãos para além da proteção (por exemplo, para tirar desperdícios de madeira, ou por qualquer outra razão) a menos de 100 mm da lâmina da serra. A lâmina da serra em

rotação pode estar mais perto da sua mão do que parece, e poderá causar-lhe ferimentos graves.

Antes de cortar, faça uma inspeção visual à sua peça de trabalho. Se a peça de trabalho estiver encurvada ou distorcida, fixe-a com um grampo por forma a que a face encurvada externa fique virada para a proteção. Certifique-se sempre de que não há nenhum espaço vazio ao longo da linha de corte, entre a peça de trabalho, a proteção e a mesa. Peças de trabalho encurvadas ou deformadas podem torcer-se ou mudar de posição, com o risco de causar o encravamento da lâmina da serra em rotação durante o corte. A peça de trabalho não pode ter nenhuns pregos nem outros objetos estranhos.

Não utilize a serra enquanto a mesa não estiver completamente livre e desimpedida de todas as ferramentas, desperdícios de madeira, etc., exceto a peça de trabalho. Pequenos desperdícios ou pedaços soltos de madeira ou outros objetos que entrem em contacto com a lâmina em rotação podem ser projetados a alta velocidade.

Corte apenas uma peça de trabalho de cada vez. Várias peças de trabalho empilhadas não podem ser fixadas em segurança com um grampo e, por isso, poderão encravar a lâmina ou mudar de posição durante o corte.

Antes da utilização, certifique-se de que a serra de esquadria está montada ou posicionada em cima de uma superfície de trabalho horizontal, nivelada e firme. Uma superfície de trabalho horizontal, nivelada e firme reduz o risco de instabilidade da serra de esquadria.

Planeie o seu trabalho. Sempre que mudar a configuração de corte biselado ou em esquadria, certifique-se de que a proteção ajustável tem a regulação correta para apoiar a peça de trabalho e que não irá interferir com a lâmina nem com o sistema de guarda. Sem ligar a alimentação elétrica da ferramenta com o botão correspondente e sem nenhuma peça de trabalho na mesa, mova a lâmina da serra no curso total de um corte completo simulado, para se assegurar de que não há interferências nem perigo de cortar a proteção.

Se a peça de trabalho for mais larga ou mais comprida do que o tempo da mesa, forneça apoio adequado (por exemplo, extensões da mesa, cavaletes, etc.). Peças de trabalho que sejam mais largas ou mais compridas do que a mesa da serra de esquadria podem tombar se não estiverem apoiadas em segurança. Se a peça cortada ou a peça de trabalho tombar, poderá atingir o resguardo inferior ou ser projetada pela lâmina em rotação.

Não use outra pessoa para substituir uma extensão da mesa ou como apoio adicional. Se a peça de trabalho tiver um apoio instável, isso pode fazer com que a lâmina encrave ou que a peça de trabalho mude de posição durante a operação de corte, puxando o utilizador e o ajudante para cima da lâmina em rotação.

A peça cortada não pode nunca ser forçada nem empurrada, seja de que maneira for, de encontro à lâmina da serra em rotação. Se estiver confinada, ou seja, se forem utilizados batentes de comprimento, a peça cortada pode ser forçada contra a lâmina e projetada com violência.

Use sempre um grampo ou um dispositivo fixador concebido para apoiar corretamente material redondo (por exemplo, varetas ou tubos). As varetas têm a tendência para rolarem durante o corte, fazendo com que a lâmina "morda" e puxe a peça de trabalho para a lâmina juntamente com a sua mão.

Deixe a lâmina atingir a velocidade total antes de entrar em contacto com a peça de trabalho. Isto irá reduzir o risco da peça de trabalho ser projetada.

Se a peça de trabalho ou a lâmina ficarem encravadas, desligue a serra de esquadria. Espere até que todas as peças em movimento tenham parado e, em seguida, desencaixe a ficha da tomada da rede elétrica e/ou desmonte o conjunto de baterias. Depois, tente libertar o material encravado. Se continuar a cortar com uma peça de trabalho encravada, poderá perder o controlo da serra de esquadria ou danificar a mesma.

Depois de terminar o corte, liberte o interruptor, empurre a cabeça da serra para baixo e espere até a lâmina parar antes de retirar a peça cortada. É perigoso estender a mão na direção da lâmina ainda a rodar, mesmo que já esteja desligada.

Segure a peça com firmeza quando fizer um corte incompleto ou quando libertar o interruptor antes de fazer descer



**completamente a cabeça da serra.** A ação de travagem da serra pode fazer com que a cabeça da serra seja puxada para baixo subitamente, causando risco de ferimentos.

### INSTRUÇÕES DE SEGURANÇA PARA LÂMINAS DE MADEIRA

Antes de utilizar a lâmina da serra e a máquina, leia atentamente o manual e as instruções de utilização.

O produto tem de estar em bom estado e não devem existir deformações ou vibrações no veio.

Não utilize o produto sem os resguardos montados. Os resguardos devem estar em boas condições operacionais e ser submetidos a uma manutenção adequada.

Certifique-se de que o utilizador recebeu a formação correta referente às precauções de segurança, regulação e utilização do produto.

Durante a utilização do produto, use sempre óculos de proteção e proteção auditiva. Recomenda-se usar luvas, calçado resistente antiderrapante e um avental.

Antes de utilizar qualquer acessório, consulte o manual. A utilização incorreta de um acessório pode causar danos e aumentar o potencial de ferimentos.

Utilize apenas as lâminas especificadas neste manual, em conformidade com a norma EN 847-1.

Respeite a velocidade máxima marcada na lâmina da serra. Certifique-se de que a velocidade marcada na lâmina da serra é, no mínimo, igual à velocidade marcada na serra.

Utilize sempre lâminas cujos furos sejam do mesmo tamanho e formato dos furos do veio. As lâminas que não correspondam ao equipamento de montagem da serra desviam-se do centro, provocando a perda de controlo.

Não utilize lâminas de diâmetro superior ou inferior ao recomendado. Não utilize distanciadores para forçar a colocação da lâmina no eixo.

Antes de cada utilização, verifique se as pontas da lâmina da serra estão danificadas ou deformadas. Se as pontas estiverem danificadas ou soltas podem ser projetadas durante a utilização e aumentar o risco de ferimentos.

Não utilize lâminas da serra partidas ou distorcidas. Não utilize lâminas da serra que estejam danificadas ou deformadas.

Elimine a lâmina da serra se estiver danificada, deformada, distorcida ou rachada. Não é permitido repará-la.

Não utilize lâminas de aço rápido.

Antes da utilização, certifique-se de que a lâmina da serra está montada corretamente e aperte a porca do veio (binário de aperto: aprox. 12 Nm).

Os parafusos/porcas de fixação devem ser apertados com a chave inglesa correta.

Não é permitido utilizar uma extensão da chave inglesa ou apertar com golpes de martelo.

Certifique-se de que a lâmina e os flanges estão limpos e os lados recuados do colar estão contra a lâmina.

Certifique-se de que a lâmina roda na direção certa.

Antes de começar a trabalhar, faça um corte de teste sem o motor ligado para verificar a posição da lâmina e o funcionamento dos resguardos em relação a outras partes da máquina e à peça de trabalho.

Nunca deixe o produto sem supervisão.

Não aplique lubrificantes na lâmina quando esta estiver em funcionamento.

Nunca efetue qualquer trabalho de limpeza ou manutenção quando a máquina ainda estiver em funcionamento e a cabeça não estiver na posição de descanso.

Nunca tente parar rapidamente uma máquina em movimento encravando uma ferramenta ou outro objeto na lâmina, visto poder provocar acidentes involuntariamente.

Antes de substituir as lâminas de corte ou realizar a manutenção, desligue a ficha da tomada ou retire a bateria.

Preste atenção quando colocar/retirar a lâmina da embalagem, visto ser fácil sofrer ferimentos devido a pontas de lâminas afiadas.

Use um suporte para lâminas ou calce luvas quando manusear lâminas de serra.

Mantenha e armazene a lâmina na embalagem original ou noutra embalagem adequada, e guarde-a num ambiente seco e afastado de substâncias químicas que possam danificar a lâmina.

### INSTRUÇÕES DE SEGURANÇA E FUNCIONAMENTO ADICIONAIS

Prenda sempre a peça de trabalho com um grampo.

Certifique-se de que o produto está sempre estável e seguro (por exemplo, fixado a uma bancada).

Use sempre proteção auditiva. A influência de ruídos pode causar surdez.

Quando utilizar o produto, use sempre óculos de proteção.

Recomenda-se usar luvas para manusear lâminas e material rugoso, assim como calçado robusto antiderrapante para proteger os pés de peças de trabalho que possam cair da área de corte.

Antes de realizar qualquer limpeza ou manutenção ao produto, desligue a ficha da tomada ou retire a bateria.

Ligue à rede elétrica apenas quando o produto estiver desligado.

Mantenha o cabo de alimentação principal afastado do espaço de trabalho do produto. Mantenha-o também fora da zona onde o operador se encontra.

Nunca coloque a mão perto da lâmina, a menos que a lâmina tenha parado completamente.

Antes da utilização, verifique cuidadosamente se o produto, o cabo e a ficha apresentam danos ou desgaste. Quaisquer reparações ao produto como um todo, incluindo o cabo de alimentação, devem ser realizadas apenas por um centro de assistência autorizado.

Use sempre os resguardos no produto. Não utilize o produto se os resguardos não estiverem montados ou não estiverem a funcionar corretamente.

O resguardo inferior da lâmina deve abrir-se apenas quando descer a lâmina para a peça de trabalho, tendo sempre de poder mover-se livremente e fechar-se automaticamente.

Monte sempre e utilize barras de extensão para apoiar a peça de trabalho durante a utilização.

Nunca altere nem modifique o produto nem o respetivo funcionamento. A sua segurança pode ser afetada.

Não utilize lâminas de serra que estejam partidas, danificadas ou deformadas.

Não utilize lâminas de serra feitas de aço rápido.

Utilize apenas lâminas que estejam afiadas. Substitua lâminas que estejam embotadas.

Utilize sempre lâminas cujos furos sejam do mesmo tamanho e formato dos furos do veio. As lâminas que não correspondam ao equipamento de montagem da serra desviam-se do centro, provocando a perda de controlo.

Utilize apenas as lâminas para trabalhos em madeira especificadas neste manual, em conformidade com a norma EN 847-1.

Não utilize flanges, anilhas e porcas para fixar a lâmina da serra para além das fornecidas ou indicadas no manual de instruções.

É necessário selecionar uma lâmina da serra que seja adequada ao material a cortar. Nunca utilize o produto para cortar outros materiais para além dos especificados na secção "Utilização prevista" deste manual.

É importante evitar o sobreaquecimento da serra e o derretimento do plástico durante o corte.

É essencial respeitar a velocidade máxima especificada na lâmina da serra. Utilize apenas lâminas da serra cuja marcação indique uma velocidade igual ou superior à velocidade especificada pela marcação na ferramenta.

Substitua o acessório da mesa quando estiver desgastado ou danificado.

Antes de começar a trabalhar, faça um corte de teste sem o motor ligado para verificar a posição da lâmina e o funcionamento dos resguardos em relação a outras partes da máquina e à peça de trabalho.

EN
DE
FR
IT
ES
PT
NL
DA
NO
SV
FI
EL
TR
CS
SK
PL
HU
SL
HR
LV
LT
ET
RU
BG
RO
MK
UK
AR



Quando fizer cortes biselados, em esquadria ou combinados, ajuste a proteção deslizante ou a subproteção para garantir o afastamento correto da lâmina.

Evite soltar a unidade da serra da posição totalmente para baixo de modo descontrolado.

Durante o transporte do produto, o bloqueio da pega tem de estar sempre ativado.

O produto deve ser armazenado na posição de 0 graus de esquadria e no ângulo do bisel e bloqueado nessa posição. A pega deve ficar bloqueada na posição inferior (segura) com os resguardos fechados.

Se transportar o produto num veículo, apoie-o sobre a respetiva base e fixe-o para não se mover.

Levante o produto apenas pelas pegas previstas para tal. Utilize sempre duas mãos para levantar o produto.

Mantenha o chão livre de materiais soltos, tais como lascas e restos de material.

Abstenha-se de retirar quaisquer restos de material ou outras partes da peça de trabalho da área de corte enquanto o produto se encontrar em funcionamento e se a cabeça da serra não estiver na posição de repouso.

As peças de trabalho compridas têm de ser devidamente apoiadas. A área de trabalho da serra inclui toda a extensão da peça de trabalho. O operador deve proteger esta área contra o contacto accidental com outras pessoas ou objetos que possam mover a peça durante a operação.

A poeira gerada pela utilização do produto pode ser prejudicial para a saúde. Utilize um sistema de aspiração de pó e use uma máscara de proteção adequada. Limpe minuciosamente o pó depositado com um aspirador.

Poderá ser necessário ajustar a proteção deslizante de modo a garantir a distância correta antes de realizar um corte biselado ou combinado. Certifique-se de que o parafuso de bloqueio da proteção deslizante fica corretamente apertado após o ajuste.

O grampo pode ser instalado e utilizado em qualquer dos lados da lâmina. Em algumas operações, o grampo poderá interferir com o conjunto de resguardos da lâmina. Certifique-se sempre de que não existe qualquer interferência com o resguardo da lâmina antes de iniciar qualquer operação de corte, de modo a reduzir o risco de ferimentos pessoais graves.

**⚠️ ADVERTÊNCIA!** Quando realizar um corte em esquadria de 70°, é permitido apenas um ângulo de bisel de 0°.

As mesas de extensão rotativas podem ser colocadas numa das três posições, dependendo do tipo de corte desejado.

Não coloque as mesas de extensão nas posições desbloqueadas. Coloque as mesas de extensão apenas numa das três posições bloqueadas.

Utilize as mesas de extensão rotativas se fizer cortes em esquadria superiores a 45°.

Não substitua o LED por outro de tipo diferente. Quaisquer reparações apenas podem ser executadas pelo fabricante ou por um agente de assistência técnica autorizado.

Se utilizar o produto ao ar livre, o fabricante recomenda a utilização de um disjuntor diferencial com o disparo ajustado para 30 mA.

Durante a utilização do produto, as flutuações de tensão podem afetar outros produtos elétricos ou a iluminação no mesmo circuito. Ligue a ferramenta a uma fonte de energia com uma impedância igual a 0,299 Ω para minimizar as flutuações de tensão. Contacte o seu fornecedor de energia elétrica para mais esclarecimentos.

## CONHEÇA O SEU PRODUTO

Consulte as páginas 2-3.

1. Pega, superfícies de prensão isoladas
2. Interruptor de ligar/desligar
3. Alavanca de desbloqueio do interruptor
4. Interruptor LED
5. Resguardo superior
6. Escova de carbono
7. Botão de bloqueio do veio
8. Cavilha de bloqueio da cabeça
9. Resguardo inferior
10. Proteção deslizante
11. Proteção fixa

12. Mesa de extensão rotativa
13. Botão de bloqueio da mesa
14. Botão de desvio do batente da esquadria
15. Alavanca de bloqueio da esquadria
16. Orifício de montagem
17. Parafuso de ajuste da profundidade de corte
18. Porca de bloqueio da profundidade de corte
19. Placa de paragem da profundidade de corte
20. Pega de transporte
21. Chave Allen
22. Botão de bloqueio do ângulo de bisel
23. Escala de bisel
24. Mesa rotativa
25. Parafusos para bloquear a escala de esquadria
26. Saco de pó
27. Alavanca limitadora da barra deslizante
28. Botão de bloqueio da barra deslizante
29. Alavanca do batente de bisel
30. Grampo
31. Escala de esquadria
32. Luz LED
33. Flange exterior
34. Lâmina da serra
35. Placa de corte

## LISTA DE PEÇAS DE SUBSTITUIÇÃO

- PS254DBE: Serra de esquadria EN 847-1/Ø 254 x Ø 30 x 2,6/48 T/HW/N máx. 7400 min-1 (página 3, n.º 34)
- Placa de corte (página 3, n.º 35)
- Escova de carbono (página 2, n.º 6)

## MANUTENÇÃO

Não modifique o produto de forma alguma nem utilize acessórios não aprovados pelo fabricante. A sua segurança e de outras pessoas pode ser afetada.

Não utilize o produto se algum dos interruptores, resguardos, etc., não funcionarem como pretendido. Devolva-o a um centro de assistência autorizado para fins de reparação ou ajuste.

Não faça ajustes enquanto a lâmina da serra estiver em movimento.

Retire sempre a ficha da tomada antes de fazer ajustes, lubrificar ou realizar qualquer trabalho de manutenção no produto.

Antes e após cada utilização, verifique a existência de danos ou peças partidas no produto. Mantenha o produto em boas condições operacionais, substituindo imediatamente as peças por peças de substituição aprovadas pelo fabricante.

A lâmina tem arestas afiadas e pode ficar quente depois de operações de corte. Tenha o máximo cuidado quando limpar uma lâmina exposta. Use luvas para se proteger contra ferimentos.

Limpe com regularidade as poeiras da serra e dos respetivos acessórios, especialmente nas peças móveis, incluindo o resguardo da lâmina. Para limpar as poeiras com eficácia, use uma escova ou um aspirador. Não use ar comprimido.

Evite utilizar solventes ao limpar as peças de plástico. A maior parte dos plásticos é suscetível a vários tipos de solventes comerciais e a sua utilização poderá provocar danos. Utilize panos limpos para remover a sujidade, o pó de carbono, etc.

Utilize apenas acessórios AEG e sobresselentes AEG. Se for necessário substituir componentes que não foram descritos, entre em contacto com um dos nossos agentes de assistência técnica AEG (consulte a nossa lista de moradas de assistência técnica/garantia).

Se necessário, pode ser encomendado um diagrama mostrando o produto em perspetiva ampliada. Indique o tipo de produto e o número de série impresso na etiqueta e solicite o diagrama no seu agente local ou diretamente em: Techtronic Industries GmbH, Max-Eyth-Straße 10, 71364 Winnenden, Germany.

## SÍMBOLOS



Leia atentamente as instruções antes de ligar o produto.



	ATENÇÃO! ADVERTÊNCIA! PERIGO!
	Desligue a ficha da tomada antes de realizar qualquer tipo de trabalho no produto.
	Ferramenta de Classe II, isolamento duplo
	Use proteção para os olhos.
	Use proteção auditiva.
	Não exponha o produto a chuva nem o utilize em condições de humidade.
	Use luvas de segurança.
	Mantenha as mãos afastadas da área de corte e das lâminas afiadas.
	ATENÇÃO! Não olhe fixamente para a lâmpada de operação.
	Direção de rotação da lâmina
	Dentes da lâmina
	Largura do corte
	Furo do veio e tamanho da lâmina
	Apenas para cortar madeira
	Regule a posição da proteção deslizante antes de realizar cortes biselados ou combinados.
	Não elimine equipamentos elétricos e eletrônicos juntamente com resíduos municipais não separados. Os resíduos de equipamentos elétricos e eletrônicos devem ser recolhidos separadamente. Os resíduos de fontes de luz têm de ser retirados do equipamento. Consulte a sua autoridade local ou retalhista para obter aconselhamento sobre reciclagem e pontos de recolha. De acordo com os regulamentos locais, os retalhistas têm a obrigação de receber os resíduos de equipamentos elétricos e eletrônicos livres de encargos.

	O seu contributo para reutilizar e reciclar os resíduos de equipamentos elétricos e eletrônicos ajuda a reduzir a procura de matérias-primas. Os resíduos de equipamentos elétricos e eletrônicos contêm materiais recicláveis preciosos, que podem afetar negativamente o meio ambiente e a saúde humana se não forem eliminados de uma forma ambientalmente compatível. Elimine os dados pessoais dos equipamentos, se existirem.
V	Tensão
~	Corrente alterna
CE	Marca europeia de conformidade
	Marca ucraniana de conformidade
001	
EAC	Marca de conformidade EurAsian

- 
- EN
- DE
- FR
- IT
- ES
- PT
- NL
- DA
- NO
- SV
- FI
- EL
- TR
- CS
- SK
- PL
- HU
- SL
- HR
- LV
- LT
- ET
- RU
- BG
- RO
- MK
- UK
- AR
- 

## NL VERTALING VAN DE ORIGINALE INSTRUCTIES

### VOORGESCHREVEN GEBRUIK VAN HET SYSTEEM

De verstekzaag is bedoeld voor het zagen van massief hout en multiplex, materialen die op hout lijken, met of zonder fineerlaag en kunststof.

De verstekzaag is uitsluitend bedoeld voor gebruik door volwassenen die de handleiding hebben gelezen en de risico's en gevaren begrijpen.

De verstekzaag is bedoeld om met de basis op een stevige werkbank te worden bevestigd. Als de basis niet stevig is bevestigd, kan de gehele machine tijdens zaagwerkzaamheden bewegen, waardoor het risico op ernstig persoonlijk letsel toeneemt.

De verstekzaag is bedoeld voor het maken van schuine en versteksnedes. De mogelijke risico's en gevaren staan vermeld in de productspecificaties in deze handleiding.

De verstekzaag moet worden gebruikt in droge omstandigheden, met uitstekend omgevingslicht en passende ventilatie.

De verstekzaag is bedoeld voor gebruik door consumenten, mag uitsluitend worden gebruikt zoals hierboven omschreven en is niet bedoeld voor een ander doel.

Gebruik het product niet voor andere doeleinden dan waarvoor het is bestemd.

**⚠ WAARSCHUWING! Lees alle veiligheidsinstructies, illustraties en specificaties die met dit product worden meegeleverd.** Als u onderstaande voorschriften niet opvolgt, kan dit leiden tot ongelukken zoals brand, elektrische schokken en/of ernstig lichamelijk letsel.

**Bewaar alle waarschuwingen en instructies voor toekomstig gebruik.**

### VEILIGHEIDSLINSTRUCTIES VOOR VERSTEKZAGEN

**Een verstekzaag is bedoeld voor het zagen van hout of houtachtige producten. Hij kan niet met doorslijpmessen worden gebruikt voor het zagen van ijzerhoudende material zoals stangen, staven en pijpen. Schuurstof kan ertoe leiden dat bewegende delen zoals de onderste beschermkap vastlopen. Vonken veroorzaakt door slijpend zagen geven brandvlekken op de onderste beschermkap, de kerfsluif en overige plastic delen.**





Gebruik waar mogelijk klemmen om het werkstuk te ondersteunen. Wanneer u het werkstuk met de hand ondersteunt, dient u uw hand aan beide kanten minimaal 100 mm van het zaagblad te houden. Gebruik deze zaag niet om delen te zagen die te klein zijn om stevig vast te klemmen of met de hand vast te houden. Als uw hand te dicht bij het zaagblad wordt geplaatst, bestaat er een verhoogde kans op letsel door contact met het zaagblad.

Het werkstuk moet stabiel zijn en zowel tegen de kap als tegen de tafel zijn aangeduwd of geklemd. Het werkstuk niet in het zaagblad voeren of op enigerlei wijze "uit de vrije hand" snijden. Losse of bewegende werkstukken kunnen met hoge snelheid worden weggeslingerd en letsel veroorzaken.

Duw de zaag door het werkstuk. De zaag mag niet door het werkstuk worden getrokken. Om een snede te maken, duwt u de zaagkop omhoog en trekt u deze zonder te zagen over het werkstuk. Vervolgens start u de motor, duwt de zaagkop omlaag en duwt u de zaag door het werkstuk. Als u gaat zagen tijdens het trekken, loopt het zaagblad waarschijnlijk het werkstuk op en wordt het zaagdeel krachtig in de richting van de gebruiker geworpen.

Laat uw hand nooit de bedoelde zaaglijn doorkruisen, niet vóór maar ook niet achter het zaagblad. Het werkstuk "kruislings" ondersteunen, d.w.z. met de linkerhand het werkstuk rechts van het zaagblad vasthouden of omgekeerd, is zeer gevaarlijk.

Als het zaagblad draait, mag u met uw handen niet dichterbij 100 mm aan elke zijde van het zaagblad achter de kap reiken om houtsnippers weg te halen of om welke andere reden dan ook. Het hoeft niet meteen duidelijk te zijn dat het draaiende zaagblad zich vlakbij uw hand bevindt, zodat u ernstig letsel kunt oplopen.

Inspecteer het werkstuk voordat u begint met zagen.

Als het werkstuk verbogen of krom is, dient u dit met de naar de buitenzijde verbogen kant richting de kap vast te klemmen. U dient er altijd voor te zorgen dat zich langs de zaaglijn geen spleet tussen het werkstuk, de kap en de tafel bevindt. Verbogen of kromme werkstukken kunnen verschuiven of verbuigen en kunnen ervoor zorgen dat het ronddraaiende zaagblad tijdens het zagen vastloopt. Er mogen zich geen spijkers of vreemde voorwerpen in het werkstuk bevinden.

U mag de zaag pas gebruiken als er op de tafel geen gereedschappen, houtschilders e.d. liggen, maar uitsluitend het werkstuk. Klein afval, losse stukjes hout of andere objecten die in contact komen met de ronddraaiende zaag, kunnen met hoge snelheid worden weggeslingerd.

Zaag slechts één werkstuk tegelijk. Op elkaar gestapelde meerdere werkstukken kunnen niet goed worden vastgeklemd of geduwd; de zaag kan erop vastlopen of de werkstukken kunnen tijdens het zagen verschuiven.

Zorg ervoor dat de verstekzaag vóór gebruik op een vlakke en stevige ondergrond is geplaatst of gemonteerd. Een vlak en stevig werkblad verkleint de kans dat de verstekzaag onstabiel wordt.

Plan uw werk. Telkens wanneer u de hoek- of verstekstand aanpast, dient u ervoor te zorgen dat de verstelbare kap correct is ingesteld om het werkstuk te ondersteunen, en niet in de weg zit van het zaagblad of het geleidesysteem. Duw het zaagblad, zonder het gereedschap in de stand "ON" te schakelen en zonder werkstuk op de tafel, door een volledige gesimuleerde zaagsnede, om te controleren dat er niets in de weg zit en dat de kap niet door het zaagblad wordt geraakt.

Zorg voor voldoende ondersteuning, zoals tafelerlangstukken, zaagpoten, etc. voor een werkstuk dat breder of langer is dan het tafelblad. Werkstukken die langer of breder zijn dan de tafel van de verstekzaag kunnen kantelen als ze niet voldoende worden ondersteund. Als het afgezaagde stuk of het werkstuk zelf kantelt, kan hierdoor de onderste kap omhoog komen of kan het door het ronddraaiende zaagblad worden weggeslingerd.

Gebruik geen ander persoon als vervanging van een verlengstuk van de tafel of als extra ondersteuning. Instabiele ondersteuning van het werkstuk kan ervoor zorgen dat het zaagblad vastloopt of dat het werkstuk tijdens het zagen verschuift, en dat u de helpende persoon naar het ronddraaiende zaagblad worden getrokken.

Het afgezaagde stuk mag op geen enkele manier tegen het ronddraaiende zaagblad vastlopen of worden gedrukt. Indien het vastloopt, bijvoorbeeld door een stop in de lengte toe te passen, kan het afgezaagde stuk tegen het zaagblad vast komen te zitten en met geweld worden weggeslingerd.

Gebruik altijd een klem of een ander hulpstuk dat is ontworpen om rond materiaal zoals stangen of buizen goed te ondersteunen. Staven hebben de neiging te rollen terwijl ze worden gezaagd, waardoor het blad "grijpt" en het werk met uw hand in het blad trekt.

Laat het zaagblad op volle snelheid komen, voordat het in contact komt met het werkstuk. Dit zal de kans verkleinen dat het werkstuk wordt weggeslingerd.

Als het werkstuk of het zaagblad vastloopt, schakelt u de verstekzaag uit. Wacht tot alle bewegende delen tot stilstand zijn gekomen, en koppel de stekker los van de stroombron en/of verwijder de accu. Probeer vervolgens pas het vastgeklemd materiaal te verwijderen. Wanneer u door blijft zagen terwijl het werkstuk vast zit, kan dit leiden tot controleverlies of beschadiging van de verstekzaag.

Nadat u de snede hebt afgerond, laat u de schakelaar los, houdt u de zaagkop omlaag en wacht u tot het zaagblad tot stilstand is gekomen alvorens u het afgezaagde stuk verwijdert. Het is gevaarlijk om met uw hand in de buurt van het vrij draaiende zaagblad te komen.

Houd het handvat stevig vast als u een onvolledige snede maakt of als u de schakelaar loslaat voordat de zaagkop helemaal in de onderste stand staat. De remmende werking van de zaag kan ervoor zorgen dat de zaagkop plotseling omlaag wordt getrokken, wat kans geeft op letsel.

#### VEILIGHEIDSLINSTRUCTIES VOOR ZAAGBLAD VOOR HOUT

Lees de handleiding en de instructies zorgvuldig door voordat u het zaagblad en het apparaat gebruikt.

Het artikel moet in goede staat zijn, de spindel zonder vervorming en trillingen.

Gebruik het product niet als de beschermkappen niet op hun plek zitten. Zorg ervoor dat de beschermkappen goed functioneren en goed worden onderhouden

Zorg ervoor dat de gebruiker voldoende getraind is in veiligheidsmaatregelen, instellen en gebruik van het product.

Draag bij het gebruik van het product altijd een veiligheidsbril en gehoorbescherming. Het wordt aangeraden om handschoenen, stevige schoenen met antislipzolen en een schort te dragen.

Raadpleeg de handleiding voordat u accessoires gaat gebruiken. Incorrect gebruik van een accessoire kan schade veroorzaken en de kans op letsel vergroten.

Gebruik uitsluitend zaagbladen die in deze handleiding worden gespecificeerd, die voldoen aan EN 847-1.

Houd u aan het maximum toerental dat op het zaagblad staat vermeld. Controleer of het toerental dat op het zaagblad vermeld wordt, minimaal gelijk is aan het toerental dat op de zaag staat vermeld.

Gebruik uitsluitend zaagbladen met de juiste maat en vorm van de asgaten. Bladen die niet passen op de bevestigingen van de zaag, zullen excentrisch draaien waardoor u de controle verliest.

Gebruik geen zaagbladen met een diameter die groter of kleiner is dan de aanbevolen diameter. Gebruik geen ringen om het zaagblad op de spindel te laten passen.

Controleer voor elk gebruik de punten van het zaagblad op beschadigingen of een abnormaal uiterlijk. Punten die beschadigd zijn of loszitten kunnen tijdens gebruik losraken en rondvliegen en de kans op persoonlijk letsel vergroten.

Gebruik geen gescheurde of vervormde zaagbladen. Gebruik geen zaagblad dat beschadigd of vervormd is.

Gooi het zaagblad weg als het beschadigd, vervormd, verwrongen of gescheurd is; reparatie is niet toegestaan.

Gebruik geen HSS-zaagbladen.

Zorg ervoor dat het zaagblad correct wordt gemonteerd; draai de asmoer voor gebruik stevig vast (aanhaalmoment ong. 12 Nm).

Bevestigingsschroeven en moeren moeten met de juiste sleutel etc. worden aangehaald.







Het is niet toegestaan om verlengstukken gebruiken voor de sleutel of om de moeren steviger vast te draaien met gebruik van hamerslagen.

Zorg ervoor dat het zaagblad en de flenzen schoon zijn, en dat de verzonken zijden van de kraag tegen het zaagblad aanliggen.

Controleer of het zaagblad in de juiste richting draait.

Maak vóór het werk een proefsneede zonder de motor aan te zetten, zodat de positie van het mes, de werking van de beschermkappen ten opzichte van andere machinedelen en het werkstuk kunnen worden gecontroleerd.

Laat het product nooit onbeheerd achter.

Breng geen smeermiddel op het zaagblad aan terwijl het ronddraait.

Voer nooit reinigings- of onderhoudswerkzaamheden uit als het apparaat nog loopt en de kop zich niet in de ruststand bevindt.

Probeer een apparaat dat in beweging is nooit snel stil te zetten door het zaagblad met een stuk gereedschap of anderszins te blokkeren; dit kan onbedoeld leiden tot ernstige ongelukken.

Alvorens het zaagblad te vervangen of onderhoud uit te voeren moet het product worden losgekoppeld van de stroomvoorziening, of moet de accu worden verwijderd.

Let op het in- en uitpakken van de zaagbladen, want u kunt zich gemakkelijk verwonden aan de scherpe mespunten.

Gebruik een zaagbladhouder of draag handschoenen als u een zaagblad hanteert.

Bewaar het zaagblad in de originele verpakking of een andere geschikte verpakking; bewaar het in een droge omgeving en uit de buurt van chemicaliën die het blad kunnen beschadigen.

## AANVULLENDE VEILIGHEIDS- EN WERKINSTRUCTIES

Klem het werkstuk altijd veilig en stevig vast.

Zorg ervoor dat het product altijd stabiel en stevig vaststaat (bijv. bevestigd aan een werkbank).

Draag altijd gehoorbescherming! Blootstelling aan geluid kan het gehoor beschadigen.

Draag bij gebruik van het product altijd een veiligheidsbril. Het wordt aangeraden om handschoenen te dragen bij het hanteren van zaagbladen en ruwe materialen, en stevige schoenen met antislipzolen, om uw voeten te beschermen tegen stukken van het werkstuk die tijdens het zagen mogelijk op de grond vallen.

Alvorens onderhoud uit te voeren of het product te reinigen moet het product worden losgekoppeld van de stroomvoorziening, of moet de accu worden verwijderd.

Sluit het product alleen aan op de stroomvoorziening als het is uitgeschakeld.

Houd de stroomkabel uit de buurt van het werkbereik van het product. Houd hem uit de buurt van de plek waar de gebruiker staat.

Reik nooit in het gebied in de buurt van het zaagblad als het zaagblad nog niet helemaal stilstaat.

Controleer het product, de kabel en de stekker vóór gebruik grondig op beschadigingen of materiaalmoetheid. Reparaties van het gehele product, inclusief de stroomkabel, mogen uitsluitend worden uitgevoerd door een erkend servicecentrum.

Gebruik altijd de beschermkappen op het product. Gebruik het apparaat niet als de beschermkappen niet op hun plek zitten of niet goed functioneren.

De onderste zaagbescherming mag alleen openen wanneer de zaag op het werkstuk verlaagd wordt en moet altijd vrij kunnen bewegen en automatisch sluiten.

Bij gebruik moeten altijd verlengstangen voor het werkstuk worden aangebracht en gebruikt.

Er mogen geen wijzigingen worden aangebracht aan het product of de functie ervan. Dit kan uw veiligheid in het geding brengen.

Gebruik geen zaagbladen die gescheurd, beschadigd of vervormd zijn.

Gebruik geen zaagbladen die gemaakt zijn van sneldraaistaal.

Gebruik uitsluitend scherpe zaagbladen. Vervang botte zaagbladen.

Gebruik uitsluitend zaagbladen met de juiste maat en vorm van de asgaten. Bladen die niet passen op de bevestigingen van de zaag, zullen excentrisch draaien waardoor u de controle verliest.

Gebruik uitsluitend zaagbladen voor houtbewerking zoals gespecificeerd in deze handleiding, die voldoen aan EN 847-1.

Gebruik uitsluitend flenzen, ringen en moeren om het zaagblad vast te zetten die zijn meegeleverd of gespecificeerd worden in de instructiehandleiding.

Er moet een zaagblad worden geselecteerd dat geschikt is voor het te zagen materiaal. Gebruik het product nooit om materialen te zagen anders dan zoals gespecificeerd in de paragraaf Beoogd gebruik in deze handleiding.

Het is belangrijk om te vermijden dat het zaagblad oververhit raakt waardoor tijdens het zagen het plastic kan gaan smelten.

Het is van cruciaal belang dat het maximumtoerental dat op het zaagblad vermeld staat wordt aangehouden; gebruik alleen zaagbladen die geschikt zijn voor een toerental (snelheid) dat gelijk is aan of hoger dan het toerental dat vermeld staat op het gereedschap.

Vervang het tafelinzetstuk als dit versleten of beschadigd is.

Maak vóór het werk een proefsneede zonder de motor aan te zetten, zodat de positie van het mes, de werking van de beschermkappen ten opzichte van andere machinedelen en het werkstuk kunnen worden gecontroleerd.

Bij het uitvoeren van verstek-, haakse of samengestelde versteksnedes, dient u het schuifraam of onderraam aan te passen om ervoor te zorgen dat het zaagblad genoeg ruimte heeft.

Voorkom ongecontroleerd loslaten van de zaagmachine vanuit de volledig neergelaten positie.

Bij transport van het apparaat moet de hendelvergrendeling altijd zijn ingeschakeld.

Het product moet worden opgeslagen in de verstek- en schuinstand in een hoek van nul graden en in deze stand worden vastgezet. Het handvast moet in de onderste (veilige) positie worden vergrendeld met gesloten beschermkappen.

Als het product in een voertuig wordt vervoerd moet het product op zijn basis worden geplaatst en worden bevestigd zodat het niet kan verschuiven.

Til het product uitsluitend op aan de handvatten die hiervoor zijn bedoeld. Til het product altijd met twee handen op.

Houd het vloeroppervlak vrij van losse materialen, zoals spaanders en afgezaagde stukken.

Verwijder geen afgezaagde stukken of andere delen van het werkstuk uit het werkbereik als het product draait en de zaagkop zich niet in de ruststand bevindt.

Lange werkstukken moeten goed worden ondersteund. Het werkbereik van de zaag omvat de volledige lengte en breedte van het werkstuk. De gebruiker moet dit gebied afschermen tegen onbedoeld contact met andere personen of objecten die het werkstuk tijdens de werkzaamheden zouden kunnen verplaatsen.

Het stof dat tijdens het gebruik van het apparaat vrijkomt kan een gevaar voor de gezondheid vormen. Gebruik een stofafzuigsysteem en draag een geschikt stofmasker. Verwijder neergeedaald stof grondig met een stofzuiger.

Het kan nodig zijn om het schuifraam te verstellen zodat het zaagblad genoeg ruimte krijgt voordat schuine zaagsnedes of meervoudige zaagsnedes worden uitgevoerd. Zorg ervoor dat de vergrendelschroef van het schuifraam na het verstellen goed wordt vastgezet.

De klem kan aan beide kanten van het blad worden geïnstalleerd en gebruikt. Bij sommige handelingen kan de klem in de weg zitten van de beschermkap van het zaagblad. Voordat wordt begonnen met zaagwerkzaamheden moet worden gecontroleerd of er niets in de weg zit van de beschermkap van het zaagblad, om de kans op ernstig persoonlijk letsel te verminderen.

**⚠ WAARSCHUWING!** Als u een versteksnede van 70 graden uitvoerd, is uitsluitend een schuinstand van 0 graden toegestaan.

De roterende verlengstukken van de tafel kunnen in drie standen worden gezet, afhankelijk van de gewenste snede.

Zet de verlengstukken van de tafel nooit in een ontgrendelde stand. Zet ze uitsluitend in een van de drie vergrendelde standen.

EN
DE
FR
IT
PT
ES
NL
DA
NO
SV
FI
EL
TR
CS
SK
PL
HU
SL
HR
LV
LT
ET
RU
BG
RO
MK
UK
AR



Gebruik de roterende verlengstukken van de tafel wanneer u versteksnedes maakt die groter zijn dan 45 graden.

Vervang de led niet door een ander type. Reparaties mogen uitsluitend worden uitgevoerd door de fabrikant of een erkende onderhoudsmonteur.

Wanneer dit product buiten wordt gebruikt, adviseert de fabrikant het gebruik van een aardlekschakelaar met een uitschakelstroom van 30 mA.

Bij het gebruik van dit product kunnen spanningsfluctuaties andere elektrische producten of verlichting beïnvloeden die op hetzelfde stroomcircuit zijn aangesloten. Sluit het gereedschap op een spanningsbron met een impedantie van 0,299 Ω om spanningsfluctuaties zoveel mogelijk te beperken. Neem voor meer uitleg contact op met uw energieleverancier.

## KEN UW PRODUCT

Zie pagina 2-3.

1. Hendel, geïsoleerd grijppoppervlak
2. Stroomschakelaar
3. Schakelaar voor blokkeerhendel
4. Ledschakelaar
5. Bovenste beschermkap
6. Koolstofborstel
7. Spindelvergrendelknop
8. Borgpen zaagkop
9. Onderste beschermkap
10. Schuifraam
11. Bevestigd raam
12. Roterend verlengstuk van de tafel
13. Tafelvergrendelknop
14. Bypassknop verstekpal
15. Verstekvergrendelhendel
16. Montagegat
17. Schroef voor het instellen van de zaagdiepte
18. Borgmoer zaagdiepte
19. Stopplaat zaagdiepte
20. Draaghandvat
21. Inbussleutel
22. Vergrendelknop snijhoek
23. Schaal voor snijhoek
24. Draaitafel
25. Schroeven voor vergrendelen van verstekschaal
26. Stofzak
27. Limiethendel schuifbalk
28. Vergrendelknop schuifbalk
29. Hendel verstekpal
30. Klem
31. Verstekschaal
32. Led-lamp
33. Buitenste flens
34. Zaagblad
35. Kerfplaat

## LIJST VERVANGENDE ONDERDELEN

- PS254DBE: Verstekzaag EN 847-1/ ø254 x ø30 x 2,6 / 48T / HW / n max. 7400 min-1 (pagina 3, nr. 34)
- Kerfplaat (pagina 3, nr. 35)
- Koolstofborstel (pagina 2, nr. 6)

## ONDERHOUD

Breng geen wijzigingen aan op het product en gebruik geen accessoires die niet door de fabrikant zijn goedgekeurd. Uw veiligheid en die van anderen kan in gevaar komen.

Gebruik het product niet als een schakelaar, beschermkap of andere functies niet functioneren zoals bedoeld. Breng het apparaat naar een erkend servicecentrum om te worden gerepareerd of afgesteld.

Voer geen afstellingen uit als het zaagblad in beweging is.

Zorg er altijd voor dat het product is losgekoppeld van de stroomvoorziening voordat u afstellingen uitvoert, het product smeert of onderhoud op het product uitvoert.

Controleer het product vóór en na elk gebruik op beschadigingen of kapotte onderdelen. Houd het product in de beste werkende staat door kapotte onderdelen onmiddellijk te vervangen door reserveonderdelen die door de fabrikant zijn goedgekeurd.

De zaagblad heeft scherpe randen en kan na zaagbewerkingen heet blijven. Wees zeer voorzichtig bij het reinigen van een blootgelegde beitelas. Draag handschoenen om u te beschermen tegen letsel.

Reinig de zaag en zijn accessoires regelmatig om het stof te verwijderen, vooral van de bewegende delen waaronder de zaagbladkap. Gebruik een handborstel of een stofzuiger om het stof grondig te verwijderen. Gebruik geen perslucht.

Vermijd het gebruik van oplosmiddelen bij het reinigen van kunststof onderdelen. De meeste kunststoffen zijn gevoelig voor diverse soorten in de handel verkrijgbare oplosmiddelen en kunnen door het gebruik daarvan worden beschadigd. Gebruik schone doeken om vuil, carbonstof, etc. te verwijderen.

Gebruik alleen accessoires en reserveonderdelen van AEG. Als er onderdelen vervangen moeten worden die niet omschreven zijn, neem dan contact op met een van onze medewerkers van AEG-serviceonderhoud (zie onze lijst van garantie-/ serviceonderhoudsadressen).

Eventueel kunt u een onderdelenoverzicht van het apparaat bestellen. Vermeld het producttype en het serienummer dat op het etiket staat en bestel het overzicht bij uw lokale serviceagent of direct bij: Technonic Industries GmbH, Max-Eyth-Straße 10, 71364 Winnenden, Germany.

## SYMBOLEN

	Lees de instructies zorgvuldig door alvorens het apparaat in gebruik te nemen.
	LET OP! WAARSCHUWING! GEVAAR!
	Trek de stekker uit het stopcontact voordat u werkzaamheden aan het product uitvoert.
	Klasse II-gereedschap, dubbele isolatie
	Draag oogbescherming.
	Draag gehoorbescherming.
	Stel het product niet bloot aan regen en gebruik het niet in vochtige locaties.
	Draag veiligheidshandschoenen.
	Houd uw handen uit de buurt van het zaagdeelte en het scherpe zaagblad.
	LET OP! Kijk niet lang in de lichtbron.
	Draairichting van het zaagblad
	Zaagbladstanden



	Breedte van de zaagsnede
	Asgat en afmetingen van het zaagblad
	Uitsluitend voor het zagen van hout
	Stel de stand van het schuifraam in voordat u schuine of meervoudige zaagsneden uitvoert.
	Gooi afgedankte elektrische en elektronische apparatuur niet weg als ongesorteerd gemeentelijk afval. Afgedankte elektrische en elektronische apparatuur moet afzonderlijk worden ingezameld. Afgedankte lichtbronnen moeten uit de apparatuur worden verwijderd. Neem contact op met uw gemeente of winkelier voor advies over recycling en het inzameelpunt. Volgens de plaatselijke voorschriften kunnen detailhandelaars verplicht zijn afgedankte elektrische en elektronische apparatuur kosteloos terug te nemen. Uw bijdrage aan hergebruik en recycling van afgedankte elektrische en elektronische apparatuur helpt de vraag naar grondstoffen te verminderen. Afgedankte elektrische en elektronische apparatuur bevat waardevolle en recycleerbare materialen, die een negatief effect kunnen hebben op het milieu en de volksgezondheid indien ze niet op een milieuvriendelijke manier worden verwijderd. Verwijder eventuele persoonlijke gegevens van afgedankte apparatuur.
	Spanning
	Wisselstroom
	CE-markering
	Oekraïens conformiteitskeurmerk
	EurAsian-symbool van overeenstemming

Den geringssaven til jævnstrøm er kun beregnet til at blive brugt af voksne, som har læst instruktionerne og forstået risici og farer.

Geringssaven er beregnet til at blive monteret med bunden på overfladen af en solid arbejdsbænk. Hvis bunden ikke er sikkert fastgjort, kan hele maskinen bevæge sig under skærehandlingerne, hvilket øger risikoen for alvorlige personskader.

Geringssaven er designet til at foretage skrå- og geringssnit. Karakteristika for de forskellige skærehandlinger er angivet i produktspecifikationerne i denne vejledning.

Geringssaven skal anvendes i tørre omgivelser med kraftigt omgivende belysning og tilstrækkelig ventilation.

Geringssaven er bestemt til forbrugeranvendelse og skal kun bruges som beskrevet ovenfor og er ikke beregnet til andet formål.

Må ikke bruges til andre formål.

**⚠ ADVARSEL! Læs alle omhyggeligt alle advarsler, anvisninger og specifikationer, som følger med maskinen, og studer illustrationerne.** Hvis nedenstående forskrifter ikke overholdes, kan der ske uheld og ulykker som brand, elektrisk stød og/eller alvorlige personskader.

**Gem alle advarsler og instruktioner til fremtidig reference.**

### SIKKERHEDSANVISNINGER FOR GERINGSSE

**Geringssave har til formål at skære i træ eller tilsvarende produkter. De kan ikke bruges med slibende afskærningshjul til afskæring af jernholdige materialer som stænger, stokke, søm osv. Slibestøv forårsager, at bevægelige dele som den nederste afskærmning kører fast. Gnister fra slibende skæring præder den nederste afskærmning, savsnitindsatsen og andre plastdele.**

**Brug klemmer til understøtning af arbejdsemne, hvor det er muligt. Hvis arbejdsemnet understøttes med hånden, skal man altid hold hånden mindst 100 mm fra begge sider af savklingen. Brug ikke denne sav til skæring af stykker, der er for små til sikker opspænding eller håndholdt. Hvis hånden placeres for tæt på savklingen, er der en forøget risiko for personskade forårsaget af kontakt med savklingen.**

**Arbejdsemnet skal være stationært og opspændes eller holdes mod både anlægget og bordet. Undlad at indføre arbejdsemnet i klingens eller på nogen måde at skære med "frihånd".** Ikke fastgjorte arbejdsemner eller arbejdsemner i bevægelse kan blive udkastet med høj hastighed og forårsage personskade.

**Skub saven igennem arbejdsemnet. Træk ikke saven igennem arbejdsemnet. Foretag et snit ved at hæve savhovedet og trække det ud over arbejdsemnet uden at skære. Start motoren, og tryk savhovedet ned, og skub saven igennem arbejdsemnet.** Skæring i forbindelse med trækslaget vil sandsynligvis forårsage, at savklingen kravler op på arbejdsemnet og med stor kraft slynges klingeenheden i retning af operatøren.

**Kryds aldrig hånden over den tilsigtede skærelinje hverken foran eller bag savklingen.** Understøtning af arbejdsemnet med "krydsede hænder", dvs. at arbejdsemnet holdes til højre for savklingen med venstre hånd eller omvendt, er meget farligt.

**Ræk ikke bag anlægget med nogen af hænderne tættere end 100 mm fra hver side af savklingen for at fjerne træresten eller af nogen anden årsag, mens klingens kører rundt.** Nærheden af den roterende savklinge i forhold til hånden er måske ikke indlysende, og du kan komme alvorligt til skade.

**Undersøg emnet inden skæring. Hvis arbejdsemnet er buet eller kaster sig, skal det fastgøres med den udvendige bøjede forside vendende mod anlægget. Sørg altid for at sikre, at der ikke er noget mellemrum mellem arbejdsemne, anlæg og bord langs skærelinjen.** Arbejdsemner, der er bøjede eller kaster sig, kan vride sig eller forskydes og forårsage, at den roterende savklinge sætter sig fast under skæring. Der må ikke være søm eller fremmedlegemer i arbejdsemnet.

**Brug ikke saven, før bordet er ryddet for alt værktøj, træaffald osv. bortset fra arbejdsemnet.** Småaffald eller løse stykker træ eller andre genstande i berøring med den roterende savklinge kan blive udkastet med høj hastighed.

**Skær kun et arbejdsemne ad gangen.** Flere stakkede arbejdsemner kan ikke fastspændes eller afstives tilstrækkeligt og kan få klingens til at sætte sig fast eller forskubbes under skæring.



## DA OVERSÆTTELSE AF DEN ORIGINALE BRUGSANVISNING

### TILTÆNKT ANVENDELSESFØRMÅL

Hensigten med geringssaven er savning i massivt og sammenlimet træ, materialer svarende til træ med eller uden pålimet finer eller plastik.





**Kontroller, at geringsraven er monteret eller placeret på en plan, fast arbejdsflade inden brug.** En plan og fast arbejdsflade nedsætter risikoen for, at geringsraven bliver ustabil.

**Planlæg dit arbejde.** Hver gang du skifter vinkelindstilling for smig eller gering, skal der sørges for, at det justerbare anlæg er indstillet korrekt, så arbejdsområdet bliver understøttet og ikke kommer i konflikt med klingens eller afskærmningen. Flyt uden at tænde for værktøjet og uden arbejdslemme på bordet savklingen gennem et simuleret komplet snit for at sikre, at der ikke opstår nogen konflikt med eller fare for skæring af anlægget.

**Sørg for tilstrækkelig understøtning som bordforlængelser, savbukke osv. for et arbejdslemme, der er bredere eller længere end bordfladen.** Arbejdslemmer, der er længere eller bredere end geringsravens bord, kan vippe, hvis de ikke er forsvarligt understøttede. Hvis det afskårne stykke eller spidsen på arbejdslemmet vipper, kan det løfte den nederste afskærmning eller blive udkastet af den roterende klinge.

**Brug ikke en anden person som erstatning for en bordforlængelse eller som yderligere støtte.** Ustabil understøtning af arbejdslemmet kan forårsage, at klingens sætter sig fast, eller at arbejdslemmet forskubbes under skæring, så du og din hjælper bliver trukket ind i den roterende klinge.

**Det afskårne stykke må ikke sætte sig fast eller på anden måde blive trykket mod den roterende savklinge.** Hvis det afskårne stykke fastholdes, dvs. ved brug af længdestop, kan det blive kilet mod klingens og udkastet med stor kraft.

**Brug altid en skruetvinge eller et opspændingsværktøj designet til korrekt understøtning af rundt materiale som stænger eller rør.** Stænger er tilbøjelige til at rulle under afskæring, og det forårsager, at klingens "bider" og trækker emnet ind i klingens sammen med din hånd.

**Lad klingens opnå fuld hastighed, inden den kommer i berøring med arbejdslemmet.** Dette reducerer risikoen for, at arbejdslemmet bliver kastet ud.

**Hvis arbejdslemmet eller klingens sætter sig fast, skal du slukke for geringsraven.** Vent, indtil alle bevægende dele er standset, og fjern stikket fra strømkilden, og/eller fjern batteripakken. Arbejd så på at frigøre det fastkørte materiale. Fortsat savning med et fastkørt arbejdslemme kan forårsage tab af styring eller beskadigelse af geringsraven.

**Efter færdiggørelse af snittet, skal kontakten frigøres, savholdet holdes nedad, og du skal vente til klingens stopper, inden det afskårne stykke fjernes.** Det er farligt at række ud med hånden, mens klingens stadig roterer.

**Hold godt fast i håndtaget, når der foretages et ufuldstændigt snit, eller hvis kontakten udløses, inden savhovedet fuldstændigt har nået nederste position.** Bremsehandlingen kan forårsage, at savhovedet pludseligt bliver trukket nedad, så der opstår fare for personskade.

## SIKKERHEDSANVISNINGER FOR TRÆKLINGER

Læs vejledning og anvisninger omhyggeligt inden brug af savklingen og maskinen.

Produktet skal være i god stand, spindlen uden deformation og vibration.

Brug kun produktet, hvis afskærmninger er på plads. Hold afskærmningerne i god arbejdsstand og korrekt vedligeholdt.

Kontroller, at operatøren er tilstrækkelig uddannet i sikkerhedsforanstaltninger, justering og betjening af produktet.

Brug altid sikkerhedsbriller og høreværn ved brug af produktet. Det anbefales at bruge handsker, robuste skridsikre sko og forklæde.

Før du anvender et tilbehør, skal du læse brugsanvisningen. Forkert brug af tilbehør kan forårsage skader og øge risikoen for personskader.

Brug kun klinger, der er angivet i denne vejledning, og som er i overensstemmelse med EN 847-1.

Overhold den maksimale hastighed, der er markeret på savklingen. Sørg for, at den hastighed, der er afmærket på savklingen, mindst svarer til den hastighed, der er afmærket på saven.

Brug altid klinger med arborhuller i korrekt størrelse og form. Klinger, der ikke passer til savens monteringsbeslag, vil køre excentrisk, hvilket medfører tab af kontrol.

Brug ikke klinger med større eller mindre diameter end anbefalet. Brug ikke afstandsstykker til at få klingens til at passe ind i spindlen. Kontroller spidsen på savklingen for skader eller unormale forekomster før hver brug. Spidser, der er beskadigede eller løse, kan omdannes til flyvende genstande under brug og øge risikoen for personskade.

Brug ikke revnede eller vredne savklinger. Anvend ikke savklinger, som er beskadigede eller deformerede.

Bortkast savklingen, hvis den er beskadiget, deformeret, vredet eller revnet, reparation ikke er tilladt.

Brug ikke HSS-klinger.

Kontroller, at savklingen er monteret korrekt, og spænd opspændingsdormøtrikken forsvarligt inden brug (tilspændingsmoment ca. 12 Nm).

Fastgørelsesskrue og møtrikker skal tilspændt med korrekt nøgle, osv.

Forlængelse af spændenøglen eller tilspænding med hammerslag er ikke tilladt.

Sørg for, at klingens og flangerne er rene, og at de forsænkede sider på kraven vender mod klingens.

Sørg for, at klingens roterer i den korrekte retning.

Før arbejdet bør der udføres en prøveskæring, uden at motoren er tændt, så klingens placering, afskærmningens funktion i forhold til andre maskindele, og arbejdslemmet kan kontrolleres.

Lad aldrig produktet køre uden opsyn.

Påfør ikke smøremidler på klingens, når den kører.

Udfør aldrig rengørings- eller vedligeholdelsesarbejde, når maskinen stadig kører, og hovedet ikke er i hvileposition.

Forsøg aldrig hurtigt at stoppe en maskine i bevægelse ved at presse et værktøj eller andre midler ind mod klingens, alvorlige ulykker kan utilsigtet forårsages på denne måde.

Strømmen til produktet skal afbrydes, eller batteriet skal fjernes, før der udskiftes klinger, eller før der udføres vedligeholdelse.

Vær opmærksom ved klingens nedpakning og udpakning, det er nemt at komme til skade med de skarpe klingspidser.

Brug en klingeholder eller anvend handsker ved håndteringen af savklinger.

Opbevar klingens i original emballage eller anden egnet emballage, opbevar den under tørre forhold og væk fra kemikalier, der kan beskadige klingens.

## YDERLIGERE SIKKERHEDS- OG ARBEJDSINSTRUKTIONER

Fastgør altid arbejdslemmet godt og sikkert.

Sørg for, at produktet altid er stabilt og sikkert (f.eks. fastgjort til en bænk).

Brug altid høreværn. Støjpåvirkning kan bevirke tab af hørelse.

Brug altid sikkerhedsbriller ved brug af produktet. Det anbefales at bruge handsker ved håndtering af klinger og groft materiale samt robuste skridsikre sko for at beskytte fødderne mod arbejdslemmer, der kan falde ned fra skærområdet.

Strømmen til produktet skal afbrydes, eller batteripakken skal fjernes, før der udføres vedligeholdelse eller rengøring af produktet.

Tilslut kun produktet til strømforsyningen, når det er slukket.

Hold netledningen væk fra produktets arbejdsområde. Hold den væk fra det område, hvor operatøren står.

Ræk aldrig ind i området nær klingens, medmindre klingens er fuldstændigt stoppet.

Før anvendelse skal du grundigt kontrollere produktet, kablet og stikket for eventuelle skader eller materialetræthed. Reparation af hele produktet, herunder elkablet, må kun udføres af et autoriseret serviceværksted.

Brug altid afskærmningerne på produktet. Brug ikke produktet, hvis afskærmningerne ikke er på plads og fungerer korrekt.

Den nederste klingeafskærmning må kun åbnes, når klingens sænkes til arbejdslemmet og skal altid være i stand til at bevæge sig frit og lukke automatisk.

Fastgør og brug altid forlængerstænger til understøtning af arbejdslemmet under arbejdet.





Foretag aldrig større eller mindre ændringer på produktet eller dets funktion. Din sikkerhed kan blive kompromitteret.

Anvend ikke savklinger, som er flækkede, beskadigede eller deformede.

Brug ikke savklinger af højhastighedsstål.

Brug kun savklinger, der er skarpe. Udskift sløve klinger.

Brug altid klinger med arborhuller i korrekt størrelse og form. Klinger, der ikke passer til savens monteringsbeslag, vil køre excentrisk, hvilket medfører tab af kontrol.

Brug kun træbearbejdningsklinger angivet i denne vejledning, er er i overensstemmelse med EN 847-1.

Brug ikke flangere, spændeskiver og møtrikker til at fastgøre savklingen ud over dem, der er leveret eller angivet i brugsanvisningen.

Det er nødvendigt at vælge en savklinge, der er egnet til det materiale, der skæres i. Brug aldrig produktet til skæring af andre materialer end dem, der angivet i afsnittet om tilsigtede brug i denne vejledning.

Det er vigtigt at undgå overophedning og smeltning af plast under skæring.

Det er meget vigtigt at overholde den maks. hastighed, der er angivet på savklingen. Brug kun savklinger, der er afmærket med en hastighed svarende til eller højere end den hastighed, der er angivet på værktøjet.

Udskift slidte eller beskadigede bordindsatser.

Før arbejdet bør der udføres en prøveskæring, uden at motoren er tændt, så klingens placering, afskærmningens funktion i forhold til andre maskindele, og arbejdsområdet kan kontrolleres.

Når der foretages geringsssnit, smignit eller sammensatte geringsssnit, skal glideanlægget eller underanlægget justeres for at sikre den korrekte frigang fra klingen.

Undgå ukontrolleret frigørelse af saveenheden i den dybeste position.

Håndtagets lås skal altid være aktiveret ved transport af produktet. Produktet skal opbevares i nulgradsgeringen og smigvinklen og låses i stilling. Håndtaget skal låses i den nederste (sikre) position med lukkede afskærmninger.

Når du transporterer det i et køretøj, skal du placere produktet på dets base og sikre, at det ikke kan bevæge sig.

Løft kun produktet i de håndtag, der medfølger til dette formål. Brug altid to hænder til at løfte produktet.

Hold gulvområdet fri for løse materialer, såsom spåner og afskårne dele.

Afstå fra at fjerne eventuelle afskæringer eller andre dele af emnet fra skæreo området, mens produktet kører, og savhovedet ikke står stille.

Lange arbejdsemner skal understøttes behørigt. Savens arbejdsområde omfatter arbejdsemnet i hele dets udstrækning. Operatøren skal sikre dette område mod utilsigtede kontakt med andre personer eller genstande, der kan flytte arbejdsemnet under drift.

Det støv, der genereres ved brug af produktet, kan udgøre en sundhedsfare. Brug et støvudsugningssystem og bær en passende støvbeskyttelsesmaske. Fjern omhyggeligt ophobet støv, f.eks. med en støvsuger.

Det kan være nødvendigt at justere glideanlægget for at sikre korrekt frigang, før du foretager et smignit eller sammensatte geringsssnit. Kontroller, at glideanlæggets låseskrue er strammet forsvarligt efter justeringen.

Klemmen kan monteres og bruges på begge sider af klingen. Ved nogle operationer kan klemmen komme i vejen for klingeafskærmningen. Sørg altid for, at der ikke er nogen konflikt med klingeafskærmningen, inden der påbegyndes nogen form for skæreooperation for at mindske risikoen for alvorlig personskade.

**⚠ ADVARSEL!** Ved udførelse af 70° geringsssnit, er kun en smigvinkel på 0° tilladt.

De roterende forlængerborde kan indstilles til en af de tre positioner, afhængigt af den ønskede skæretype.

Indstil ikke forlængerbordene til de ulåste positioner. Indstil dem kun til en af de tre låste positioner.

Brug de roterende forlængerborde, når du foretager geringsssnit på mere end 45°.

Udskift ikke LED-lyset med en anden type. Reparationer må kun udføres af producenten eller en autoriseret servicetekniker.

Når du bruger produktet udendørs, anbefaler producenten, at du bruger en RCD-enhed med en udløser indstillet til 30 mA.

Ved brug af produktet kan spændingsudsving påvirke andre elektriske produkter eller belysning på samme strømkreds. Tilsæt værktøjet til en strømkilde med en impedans svarende til 0,299 Ω for at minimere spændingsudsving. Kontakt din elleverandør for yderligere afklaring.

## KEND DIT PRODUKT

Se side 2-3.

1. Håndtag, isoleret gribeblade
2. Strømkontakt
3. Omskift oplåsningsgreb
4. LED-kontakt
5. Øverste afskærmning
6. Kulbørste
7. Spindellåseknop
8. Låsestift til hoved
9. Nederste afskærmning
10. Glideanlæg
11. Fast anlæg
12. Roterende forlængerbord
13. Låseknop til bord
14. Knap til omgåelse af gering
15. Håndtag til geringslås
16. Monteringshul
17. Justerings skrue til skæredybde
18. Låsemøtrik for skæredybde
19. Stopplade til skæredybde
20. Bærehåndtag
21. Sekskantnøgle
22. Låsehåndtag for smignit
23. Smigskala
24. Drejebord
25. Skrue til at låse geringsskalaen
26. Støvsugerpose
27. Grænsehåndtag til glidestang
28. Låseknop til glidestang
29. Håndtag til smigspærre
30. Klemme
31. Geringsmålning
32. LED-lys
33. Yderste flange
34. Savklinge
35. Savsnitplade

## LISTE OVER UDSKIFTNINGSDLE

- PS254DBE: Geringssav EN 847-1/ø254 x ø30 x 2,6/48T/H/W/n maks. 7400 min-1 (side 3. nr. 34)
- Savsnitplade (side 3. nr.35)
- Kulbørste (side 2. nr.6)

## VEDLIGEHOOLDSE

Produktet må ikke ændres på nogen måde, og tilhører, der ikke anbefales af producenten, må ikke anvendes. Din og andres sikkerhed kan blive kompromitteret.

Brug ikke produktet, hvis kontakter, afskærmninger eller andre funktioner ikke fungerer efter hensigten. Returner det til et autoriseret servicecenter for professionel reparation eller justering.

Foretag ingen justeringer, mens savklingen er i bevægelse.

Sørg altid for, at produktet er afbrudt fra strømforsyningen, før du foretager justeringer, smører eller udfører vedligeholdelse på produktet.

Før og efter hver brug skal du undersøge produktet for skader eller ødelagte dele. Hold produktet i top arbejdstilstand ved straks at udskifte sådanne dele med reservedele, der er godkendt af producenten.

Klingen har skarpe kanter og kan være varm efter skærehandlinger. Vær meget forsigtig, når du rengør en eksponeret klinge. Brug handsker for at beskytte dig selv mod skade.





Rengjør sav og tilbehør for støv med regelmessige mellomrom og spesielt for bevægelige dele, inkl. klingefaskærming. Bruk en håndbørste eller støvsuger til effektiv fjernelse av støv. Anvend ikke trykluft.

Undgå å bruke oppløsningsmidler ved rengjøring av plastdele. De fleste former for plast er mottagelige for forskjellige typer kommersielle oppløsningsmidler og kan blive beskadiget ved deres anvendelse. Bruk rene klude til å fjerne snavs, kulstøv osv.

Bruk kun AEG-tilbehør og AEG-reservedele. Hvis komponenter, der ikke er blevet beskrevet, skal udskiftes, så kontakt et af vores AEG servicecentre (se vores liste over garanti-/serviceadresser).

Om nødvendig kan der bestilles en eksploderet visning af produktet. Angiv produkttypen og serienummeret, der er trykt på etiketten, og bestil tegningen hos dine lokale serviceagenter eller direkte på: Techtronic Industries GmbH, Max-Eyth-Straße 10, 71364 Winnenden, Germany.

## SYMBOLER

	Læs anvisningerne omhyggeligt inden du starter produktet.
	FORSIGTIG! ADVARSEL! FARE!
	Træk stikket ud af stikkontakten, før der udføres arbejde på produktet.
	Klasse II-værktøj, dobbelt isolering
	Bruk øjenbeskyttelse.
	Bruk høreværn.
	Udsæt ikke produktet for regn eller brug på fugtige steder.
	Bær sikkerhedshandsker.
	Hold hænderne væk fra skæreområdet og den skarpe klinge.
	FORSIGTIG! Kig ikke ind i arbejdslyset.
	Klingens rotationsretning
	Klingetænder
	Snitbredde
	Arborhul og klingestørrelse

	Kun til skæring af træ
	Juster positionen for glideanlægget, inden du udfører smig- eller sammensatte snit.
	Bortskaf ikke elektriske dele og elektronisk udstyr som usorteret kommunalt affald. Kasserede elektriske dele og elektronisk udstyr skal indsamles separat.
	Affaldets lyskilder skal fjernes fra udstyret.
	Kontakt din lokale myndighed eller forhandler for rådgivning om genbrug og indsamlingssted.
	Ifølge lokale bestemmelser kan detailhandlere være forpligtede til gratis at tage kasserede elektriske dele og elektronisk udstyr retur til bortskaffelse.
	Dit bidrag til genbrug og genanvendelse af kasserede elektriske dele og elektronisk udstyr bidrager til at reducere efterspørgslen efter råmaterialer.
	Kasserede elektriske dele og elektronisk udstyr indeholder værdifulde og genanvendelige materialer, som kan have en negativ indvirkning på miljøet og menneskers sundhed, hvis det ikke bortskaffes på en miljøvenlig måde.
	Slet persondata fra eventuelt kasseret udstyr.
	Spænding
	Vekslestrøm
	Europæisk overensstemmelsesmærkning
	Ukrainsk overensstemmelsesmærkning
	EurAsian overensstemmelsesmærke

## NO OVERSETTELSE AV DE ORIGINALE INSTRUKSJONENE

### FORMÅLSMESSIG BRUK

Gjærsagen er beregnet på saging av hel- og limtre, trelignende materialer (med eller uten limet ferniss) og plast.

Gjærsagen skal bare brukes av voksne operatører som har lest instruksjonshåndboken, og som forstår risikoene og farene.

Gjærsagen er designet for fastmontering på en solid verktøybenk. Hvis bunnen ikke er godt festet, kan hele maskinen bevege seg under kutteoperasjoner, og på den måten oppstår det risiko for alvorlig personskade.

Gjærsagen er beregnet på skrå- og gjæringskutt. Størrelsen på de forskjellige kuttene er gitt i produktspesifikasjonene i denne håndboken.

Gjærsagen er beregnet på bruk i tørre miljøer, med god belysning og tilstrekkelig ventilasjon.



Gjærsagen er beregnet til privatbruk, skal kun brukes som beskrevet ovenfor og i denne håndboken, og er ikke beregnet til noe annet formål.

Ikke bruk produktet på noe annen måte enn det som er beskrevet som tiltenkt bruk.

**⚠ ADVARSEL!** Les alle sikkerhetsadvarsler og instruksjoner, illustrasjoner og spesifikasjoner som følger med dette produktet. Hvis forskriftene nedenfor ikke overholdes, kan det forårsake ulykker som brann, elektrisk støt og/eller alvorlige personskader.

Ta vare på alle advarsler og instruksjoner for fremtidig referanse.

## SIKKERHETSINSTRUKSJONER FOR GJÆRSAGER

Gjærsager er beregnet på saging i trevirke eller trelignende produkter. De kan ikke brukes med slipende kappenhjul for å sage i jernholdige materialer som stolper, stenger, nagler osv. Det resulterende metallstøvet vil forårsake at bevegelige deler, som den nedre beskyttelsen, vil kile seg fast. Gnister som dannes under saging av metall, vil svi den nedre beskyttelsen, bordspalten og andre plastdeler.

Bruk klemmer til å støtte arbeidsstykket når det er mulig. Hvis du støtter arbeidsstykket med hånden, må du alltid holde hånden minst 100 mm unna hver side av sagbladet. Ikke bruk sagen til å sage i arbeidsstykker hvis stykkene er for små til at de kan spennes fast eller holdes fast med hånden. Hvis du har hånden for nært sagbladet, er risikoen stor for at du kommer borti sagbladet og skader deg.

Arbeidsstykket må være stasjonært og fastspent eller holdes mot både støtten og bordet. Ikke skyv arbeidsstykket inn mot sagbladet eller sag for frihånd på noen måte. Hvis arbeidsstykket er i bevegelse eller ikke er spent fast, kan det bli kastet med høy hastighet og forårsake skade.

Skyv sagen gjennom arbeidsstykket. Ikke trekk sagen gjennom arbeidsstykket. For å lage et kutt løfter du saghodet og trekker det ut over arbeidsstykket uten å sage. Start motoren, trykk saghodet ned, og skyv sagen gjennom arbeidsstykket. Hvis du sager på tilbakevekk, risikerer du at sagbladet klatrer opp av arbeidsstykket, og at bladet med monteringsenhet kastes mot operatøren.

Før aldri hånden over den tiltenkte sagelinjen, hverken foran eller bak sagbladet. Det er svært farlig å støtte arbeidsstykket «krysshendt», det vil si at du holder arbeidsstykket til høyre for sagbladet med venstre hånd eller omvendt.

Mens bladet roterer, må du ikke strekke noen av hendene bak gjerdet nærmere enn 10 cm fra noen av sidene på sagbladet for å fjerne trebiter eller av andre grunner. Det er ikke uten videre tydelig hvor nært det roterende sagbladet hånden er, slik at du kan bli alvorlig skadet.

Kontroller arbeidsstykket visuelt før saging. Hvis arbeidsstykket er bøyd eller vridd, må du klemme det med overflaten som er bøyd utover, mot gjerdet. Pass alltid på at det ikke er noe mellomrom mellom arbeidsstykket, gjerdet og bordet langs sagelinjen. Hvis arbeidsstykket er bøyd eller vridd, kan det vri eller bevege på seg og dermed føre til at sagbladet binder mens du sager. Arbeidsstykket må være fritt for nagler og andre fremmedlegemer.

Ikke bruk sagen før bordet er ryddet for verktøy, trebiter osv., bortsett fra selve arbeidsstykket. Små rester, løse trebiter og andre gjenstander som kommer i kontakt med det roterende bladet, kan bli kastet med stor fart.

Sag bare i ett arbeidsstykke om gangen. Hvis flere arbeidsstykker stables, er det ikke mulig å spenne dem tilstrekkelig godt fast. Dette kan føre til at bladet binder eller flytter utilsikket på seg under sagingen.

Sørg for at gjærsagen er montert eller plassert på en plan, fast arbeidsflate før bruk. En jevn og fast arbeidsflate reduserer risikoen for at gjærsagen blir ustabil.

Planlegg arbeidet. Hver gang du endrer vinkelinnstillingen for skråkanten eller gjærsagen, må du passe på at det justerbare gjerdet er plassert slik at det gir god støtte til arbeidsstykket og ikke kommer i veien for bladet eller vaktssystemet. Før du slår på sagen og plasserer arbeidsstykket på bordet, kjører du sagbladet gjennom et fullstendig simulert kutt for å sikre at ikke noe kommer i veien, og at det ikke er noen fare for å sage i gjerdet.

Sørg for tilstrekkelig støtte i form av bordforlengere, sagbukker og liknende for arbeidsstykker som er bredere eller lengre enn bordplaten. Arbeidsstykker som er lengre eller bredere enn bordet for gjærsagen, kan tippe over hvis det ikke støttes sikkert. Hvis det avsågede stykket eller arbeidsstykket tipper over, kan det løfte den nedre vaktten eller bli kastet av det roterende bladet.

Ikke bruk en annen person i stedet for en bordforlengelse eller som ekstra støtte. Hvis arbeidsstykket støttes opp med en ustabil støtte, kan det føre til at bladet binder, eller at arbeidsstykket flytter på seg under sagingen. Dette kan føre til at du og hjelperen din blir dratt inn i det roterende bladet.

Det avsågede stykket må ikke kjøres fast eller presses på noen måte mot sagbladet mens det roterer. Hvis stykket møter hindringer, for eksempel i form av lengdestopper, kan det bli klemt mot bladet og bli kastet med voldsom kraft.

Bruk alltid en klemme eller en festeanordning som er beregnet på å gi skikkelig støtte til runde gjenstander som stenger eller Ør. Stenger kan lett rulle mens de blir sagt og kan dermed få bladet til å «bite» og trekke arbeidsstykket og hånden din inn i bladet.

La bladet oppnå full fart før du fører det mot arbeidsstykket. Dette reduserer risikoen for at arbeidsstykket kastes.

Slå av gjærsagen hvis arbeidsstykket eller bladet kjører seg fast. Vent til alle bevegelige deler har stoppet, og trekk ut støpselet fra strømkilden eller fjern batteriet. Deretter kan du forsøke å få løs det fastkjørte objektet. Hvis du sager mens arbeidsstykket sitter fast, kan du miste kontrollen eller skade gjærsagen.

Etter at du er ferdig med kuttet, slipper du bryteren, holder saghodet nede og venter på at bladet stopper før du fjerner det avsågede stykket. Det er farlig å strekke hånden ut i nærheten av bladet mens det kjører.

Ha et godt tak i håndtaket mens du gjør en ufullstendig kutt, eller når du slipper bryteren før saghodet er helt i nedre stilling. Bremsvirkningen på sagen kan føre til at saghodet plutselig trekkes nedover, noe som kan føre til at du skader deg.

## SIKKERHETSINSTRUKSJONER FOR KUTTEBLAD

Les bruksanvisningen og instruksjonene nøye før du bruker sagbladet og maskinen.

Produktet må være i god stand, spindelen uten deformasjon og vibrasjon.

Sagen må bare brukes når vernet er på plass. Hold vernet i god stand og korrekt vedlikeholdt.

Sørg for at operatøren har fått tilstrekkelig opplært i forholdsregler, justeringer og drift av elektroverktøyet.

Bruk alltid vernebriller og hørselvern når du bruker verktøyet. Det anbefales å bruke hansker, solide sko som ikke glir og forkle.

Før du bruker noe tilbehør, skal du sjekke bruksanvisningen. Feil bruk av et tilbehør kan forårsake skade og øke risikoen for personskade.

Bruk bare blader som er angitt i denne håndboken, og som overholder EN 847-1.

Merk deg maksimal hastighet, som angitt på sagbladet. Sørg for at hastigheten som er angitt på sagbladet, er minst lik hastigheten som er angitt på sagen.

Bruk alltid blader med korrekt størrelse og form på akselhullene. Blader som ikke samsvarer med festemekanismene på sagen, vil sage eksentrisk og gi tap av kontroll.

Ikke bruk blader med større eller mindre diameter enn anbefalt. Ikke bruk avstandsholdere for å få bladet til å feste seg på akselen.

Sjekk spissene på sagbladet for skade eller unormalt utseende før hver gangs bruk. Spisser som er skadet eller løse kan bli forvandlet til flygende objekter ved bruk og øke risikoen for personskade.

Ikke bruk sprukne eller vrudde sagblader. Ikke bruk sagblader som er skadet eller deformerte.

Kast sagbladet hvis det er skadet, deformert eller sprukket. Det er ikke tillatt å reparere et sagblad

Ikke bruk HSS-blader.

Sørg for at sagbladet er korrekt montert, og stram akselmutteren godt til før bruk (tiltrekkingsmoment på ca. 12 Nm).



EN

DE

FR

IT

ES

PT

NL

DA

NO

SV

FI

EL

TR

CS

SK

UK

AR

PL

HU

SL

HR

LV

LT

ET

RU

BG

RO

MK

UK

AR

UK

AR

UK

AR

UK

AR

UK

AR

UK

AR

UK

AR

UK

AR

UK

AR

UK

AR

UK

AR

UK

AR

UK

AR



Festeskruen og mutterne må strammes til med korrekt skiftenøkkel osv.

Forlengelse av skiftenøkkel eller stramming med hammerslag er ikke tillatt.

Sørg for at bladet og flensene er rene og de nedbøyde sidene av kragen er vendt mot bladet.

Sjekk at bladet roterer i riktig retning.

Før arbeidet kan du lage et dobbelt kutt uten at motoren er slått på, slik at kniven, betjeningen av verne med hensyn til andre maskindeler og arbeidsstykket kan kontrolleres.

La aldri sagen gå uten tilsyn.

Påfør aldri smøremidler på bladet når det er i gang.

Utfør aldri rengjøring eller vedlikehold mens maskinen fortsatt er i drift og hodet ikke er i hvilestilling.

Forsøk aldri å stoppe en maskin ved å kjøre et verktøy eller andre midler mot bladet, da det utilsikket kan forårsake alvorlige ulykker.

Koble strømforsyningen eller batteriet fra sagen før du skifter blad eller utfører vedlikehold.

Vær oppmerksom på tetting og utpakning av bladet. Det er fort gjort å skade seg på de skarpe knivspissene.

Bruk en bladhoder eller ha på deg hansker når du håndterer et sagblad.

Oppbevar bladet i originalemballasjen eller annen egnet emballasje, hold det tørt og på god avstand fra kjemikalier som kan skade bladet.

## EKSTRA SIKKERHETS- OG ARBEIDSANVISNINGER

Fest alltid arbeidsstykket godt og sikkert.

Sørg for at produktet alltid er stabilt og trygt (f.eks. festet til en benk).

Bruk alltid hørselvern. Støy kan føre til tap av hørselen.

Bruk alltid vernebriller når du bruker produktet. Det anbefales å bruke hansker ved håndtering av blader og grove materialer, samt solide, sklisikre sko for å beskytte føttene mot arbeidsstykker som kan falle fra kutteområdet.

Koble fra strømforsyningen eller fjern batteriet fra sagen før du utfører vedlikehold eller rengjør sagen.

Koble kun til strømforsyningen når produktet er slått av.

Hold ledningen unna produktets arbeidsområde. Hold den ute av området operatøren står i.

Strekk deg aldri inn i området nær bladet med mindre bladet har stoppet helt.

Før bruk må produktet, ledningen og kontakten sjekkes grundig med tanke på skader og materialtretthet. Sagen under ett, inkludert ledningen, skal kun repareres av et autorisert serviceverksted.

Bruk alltid vernene på produktet. Ikke bruk sagen hvis vernet ikke er på plass eller ikke fungerer riktig.

Nedre bladvern skal kun åpnes når bladet er senket ned på arbeidsstykket og må alltid være i stand til å beveges fritt og lukkes automatisk.

Fest og bruk alltid forlengelsesstenger for støtte av arbeidsstykket under drift.

Ikke endre eller modifier sagen eller dens funksjon. Din sikkerhet kan bli svekket.

Bruk ikke sagblad som er sprukket, skadet eller deformerte.

Ikke bruk sagblader av høyhastighetsstål.

Bruk bare skarpe sagblader. Skift ut sløve blader.

Bruk alltid blader med korrekt størrelse og form på akselhullene. Blader som ikke samsvarer med festemekanismene på sagen, vil sage eksentrisk og gi tap av kontroll.

Bruk bare sagblader for trearbeid som er angitt i denne håndboken, og som overholder EN 847-1.

Ikke bruk flenser, skiver eller muttere for å sikre sagbladet annet enn de som medfølger eller er angitt i bruksanvisningen.

Det er avgjørende å velge et sagblad som egner seg til materialet som kuttet. Ikke bruk sagen til å kappe andre materialer enn dem som er angitt i delen om tiltenkt bruk i denne håndboken.

Under saging er det viktig å unngå at bladet overopphetes, eller at plast smelter.

Det er viktig å overholde den maksimale farten som er spesifisert på sagbladet. Bruk bare sagblad som er merket med en fart som er lik eller høyere enn farten som er angitt på sagen.

Skift ut bordinnsatsen når den er slitt eller skadet.

Før arbeidet kan du lage et dobbelt kutt uten at motoren er slått på, slik at kniven, betjeningen av vernene med hensyn til andre maskindeler og arbeidsstykket kan kontrolleres.

Når du utfører gjærings-, skråkant- eller sammensatte gjæringskutt, må du justere det bevegelige gjerdet eller undergjerdet for å sikre riktig klaring fra bladet.

Unngå ukontrollert frigjøring av sagenheten fra nedre posisjon.

Låsen på håndtaket må alltid være på når sagen transporteres.

Produktet skal oppbevares ved null graders gjærings- og skråvinkel og låses i posisjon. Håndtaket skal låses i nedre (sikker) posisjon med verneinnretningene lukket.

Ved transport i et kjøretøy, sett produktet på basen og sikre mot bevegelse.

Løft produktet kun etter håndtakene som er gitt for dette formålet. Bruk alltid to hender til å løfte produktet.

Hold gulvet fritt for løse materialer, for eksempel sagmugg og kapp.

Avstå fra å fjerne kapp eller andre deler av arbeidsstykket fra skjærområdet mens produktet er i gang og saghodet ikke befinner seg i hvileposisjon.

Lange arbeidsstykker må støttes opp forsvarlig. Arbeidsområdet til sagen inkluderer hele arbeidsstykket. Operatøren skal sikre dette området fra utilsikket kontakt fra andre personer eller gjenstander som kan flytte arbeidsstykket under drift.

Støvet som produseres under bruk av sagen, kan være helseskadelig. Bruk et avtrekksystem for støv og bruk egnet støvbeskyttelsesmaske. Fjern det oppsamlede støvet grundig, f.eks. med en støvsuger.

Det kan være nødvendig å justere skyvegjerdet for å sikre riktig klaring før lagging av avfasingen eller forbindelseskutt. Se til at skyvegjerdedets låseskrue er trukket godt til etter justeringen.

Klemmen kan installeres og brukes på begge sider av bladet. I noen betjeninger kan klemmen forstyrre bladvernheten. Se alltid til at det ikke er noen interferens med bladvernet før du begynner noen kutteoperasjon for å redusere risikoen for alvorlig personskade.

**⚠ ADVARSEL!** Når du utfører 70° gjærkutting, er bare 0° skråvinkel tillatt.

De roterende forlengelsesbordene kan settes til en av de tre posisjonene, avhengig av ønsket type kutt.

Ikke still forlengelsesbordene i ulåste posisjoner. Still kun til en av de tre låste posisjonene.

Bruk de roterende forlengelsesbordene når du gjør gjæringskutt større enn 45°.

Ikke skift ut LED med en annen type. Eventuelle reparasjoner må bare utføres av produsenten eller en autorisert serviceagent.

Når du bruker produktet utendørs, anbefaler produsenten at du bruker en RCD-enhet med et trippelslett på 30 mA.

Ved bruk av produktet kan spenningssvingninger påvirke andre elektriske produkter eller lys på samme strømkrets. Koble verktøyet til en strømkilde med en impedans lik 0,299 C. for å minimere spenningssvingningene. Kontakt din strømleverandør for ytterligere klargjøring.

## KJENN PRODUKTET DITT

Se side 2-3.

1. Håndtak, isolert gripeoverflate
2. Strømbryter
3. Bryter avlåsingssspak
4. LED-bryter
5. Øvre beskyttelse
6. Karbonbørste
7. Spindellåseknapp
8. Head lock pin
9. Nedre beskyttelse
10. Skyvegerde
11. Fast gjerde
12. Roterende forlengelsesbord
13. Låseknapp bord

14. Gjæringsdetent bypassknapp
15. Gjærilåsspak
16. Monteringshull
17. Kuttedybdejusteringsskrue
18. Kuttedybdelåsemutter
19. Skjæredybde stopplate
20. Bærehåndtak
21. Unbrakonøkkel
22. Låseknapp skråvinkel
23. Skråvinkelskala
24. Dreieskive
25. Skruer for låsing av gjæringskala
26. Støvpose
27. Glidestang grensespak
28. Låseknott for skyvestang
29. Avfasningsspak
30. Klemme
31. Gjærevinkelskala
32. LED-lys
33. Ytterflens
34. Sagblad
35. Bordplate

#### RESERVEDELSLISTE

- PS254DBE: Gjæringsagg EN 847-1/ ø254 x ø30 x 2,6 / 48T / HW / n maks. 7400 min-1 (side 3. Nr. 34)
- Bordplate (side 3. Nr. 35)
- Karbonbørste (side 2. Nr. 6)

#### VEDLIKEHOLD

Produktet må ikke endres på noen måte. Det skal heller ikke brukes til å drive tilbehør som ikke er anbefalt av produsenten. Din og andres sikkerhet kan settes i fare.

Ikke bruk produktet hvis noen brytere, verneinnretninger eller andre funksjoner ikke fungerer som de skal. Lever til et autorisert servicecenter for profesjonell reparasjon eller justering.

Ikke gjør noen justeringer mens sagbladet er i bevegelse.

Pass alltid på at produktet er frakoblet strømmen før du foretar justeringer, smører eller utfører vedlikehold på produktet.

Før og etter hver bruk, sjekk produktet for skade eller ødelagte deler. Hold produktet i topp arbeidstilstand ved å bytte ut deler med reservedeler som er godkjent av produsenten.

Bladet har skarpe kanter og kan forbli varmt etter et skjæreoperasjonene er gjennomført. Du må derfor være meget forsiktig når du rengjør et ubeskyttet blad. Bruk hansker for å beskytte deg mot personlig skade.

Rengjør sagen og tilbehøret jevnlig for støv, særlig bevegelige deler, inkludert bladvakten. Bruk en håndbørste eller støvsuger for å fjerne støvet effektivt. Bruk ikke komprimert luft.

Unngå bruk av løsemidler ved rengjøring av plastdeler. De fleste plasttyper er følsomme overfor ulike typer kommersielle løsemidler og kan skades av bruken av disse. Bruk rene kluter for å fjerne smuss, karbonstøv osv.

Bruk bare tilbehør og reservedeler fra AEG. Kontakt en av AEG-serviceagentene våre hvis du må erstatte deler som ikke er omtalt her (se listen over garanti/serviceadresser).

Ved behov kan en eksplodert visning av produktet bestilles. Angi produkttype og serienummer som er skrevet på etiketten og bestill tegningen ved den lokale serviceagenten eller direkte på: Techtronic Industries GmbH, Max-Eyth-Strasse 10, 71364 Winnenden, Germany.

#### SYMBOLER

	Les anvisningene nøye før start av produktet.
	ADVARSEL! ADVARSEL! FARE!
	Ta kontakten ut av stikkkontakten før du utfører noe arbeid på produktet.

	Klasse II-verktøy, dobbel isolasjon
	Bruk vernebriller.
	Bruk hørselvern.
	Skal ikke utsettes for regn eller fuktighet.
	Bruk vernehansker.
	Hold hendene unna skjærområdet og det det skarpe bladet.
	ADVARSEL! Ikke stirr inn i driftslampen.
	Bladets rotasjonsretning
	Bladtenner
	Kuttebredde
	Sikringshull og bladstørrelse
	Kun til kutting av tre
	Juster posisjonen til skyveggerdet før du utfører skråvinkel eller forbindelseskutt.
	Ikke kast elektrisk og elektronisk utstyrsavfall som usortert kommunalt avfall Elektrisk og elektronisk utstyrsavfall må samles inn separat.
	Avfallslyskilder må være fjernet fra utstyret.  Forhør deg med de lokale myndighetene for resirkuleringsråd og innsamlingspunkt. I henhold til lokale forskrifter kan forhandlere være forpliktet til å ta tilbake elektrisk og elektronisk utstyrsavfall gratis. Ditt bidrag til gjenbruk av og gjenvinning av elektrisk og elektronisk utstyrsavfall bidrar til å redusere etterspørselen etter råmaterialer.

- 
- EN
- DE
- FR
- IT
- ES
- PT
- NL
- DA
- NO
- SV
- FI
- EL
- TR
- CS
- SK
- PL
- HU
- SL
- HR
- LV
- LT
- ET
- RU
- BG
- RO
- MK
- UK
- AR
-

	Elektrisk och elektronisk utstyringsavfall innehåller verdifulle och resirkulerbara materialer som kan påverka miljöt och människets helse negativt, hvis de ikke blir kastet på en miljøkompatibel måte. Slett personlig data fra utstyringsavfall, om noen.
V	Spenning
~	Vekselstrøm
CE	Europeisk samsvarsmerking
	Ukrainsk samsvarsmerking
EAC	EurAsian Konformitetstegn

## SV ÖVERSÄTTNING AV ORIGINALINSTRUKTIONERNA

### ANVÄND MASKINEN ENLIGT ANVISNINGARNA

Gersågen är avsedd för sågning i massivt trä och spånskivor, träliknande material, med eller utan limmat fanér, och plast.

Gersågen är endast avsedd för vuxna användare som har läst instruktionsboken och inser riskerna och farorna.

Gersågen ska fixeras vid basen vid en solid bänkskiva. Om basen inte är säkert fixerad kan hela maskinen flytta sig under skärbetet, vilket ökar möjligheten för allvarliga personsador.

Gersågen är utformad för utföra fasade och gerade snitt. Kapaciteterna för de olika snitten återges i produktspecifikationerna i den här manualen.

Gersågen ska bara användas i torra miljöer, med utmärkt allmänbelysning och adekvat ventilation.

Gersågen är avsedd för konsumentanvändning och ska endast användas såsom beskrivs ovan och är inte avsedd för andra ändamål.

Använd inte produkten på något annat sätt än vad som är avsett.

**⚠ WARNING! Studera alla säkerhetsvarningar och instruktioner, illustrationer och specifikationer som följer med denna produkt.** Underlåtenhet att respektera dessa föreskrifter kan leda till olyckor som brand, elektriska stötar och/eller allvarliga kroppssador.

Spara alla varningar och instruktioner för framtida bruk.

### SÄKERHETSANVISNINGAR FÖR GERSÅGAR

Gersågar är avsedda för att skära trä och träliknande produkter, de kan inte användas tillsammans med slipande kapningshjul för skärning av järnhaltigt material som stänger, stavar, stolpar osv. Slipande damm gör att rörliga delar som det nedre skyddet fastnar. Gnistor från slipande skärning bränner det nedre skyddet, sågsnittets insats och andra delar av plast.

Använd klämmor när det är möjligt för att stödja arbetsstycket. Om du håller i arbetsstycket med händerna, måste du alltid hålla dina händer åtminstone 100 mm från var sida av sågbladet. Använd inte denna såg för att skära bitar som är för små för att spännas fast säkert eller måste hållas för hand. Om din hand är placerad för nära sågbladet, finns det en ökad risk för skada i händelse av kontakt med bladet.

Arbetsstycket måste vara stillastående och fastspänt eller hållas mot både anslaget och bordet. Mata inte in arbetsstycket i bladet eller skär "på fri hand". Okontrollerade eller rörliga arbetsstycken kan kastas iväg i hög hastighet och orsaka skada.

Tryck sågen genom arbetsstycket. Dra inte sågen genom arbetsstycket. För att göra ett snitt, höj såghuvudet och dra det ut över arbetsstycket utan att skära, starta motorn, tryck ner såghuvudet och tryck sågen genom arbetsstycket. Att skära på pull-stroke kommer säkerligen göra att sågbladet reser sig över arbetsstycket och kasta bladmonteringen med våld mot operatören.

Håll aldrig handen över den avsedda linjen för skärning, framför eller bakom sågbladet. Att hålla stödja arbetsstycket med "korsade händer", dvs. hålla arbetsstycket till höger om sågbladet med din vänstra hand eller tvärtom är väldigt farligt.

Sträck dig inte bakom anslaget med någon av dina händer närmare än 100 mm från var sida av sågbladet, för att ta bort trärester eller av någon annan anledning medan bladet snurrar. Närheten till det snurrande sågbladet och din hand kanske inte är uppenbar och du kan skadas allvarligt.

Inspektera arbetsstycket före skärning. Om arbetsstycket är böjt eller krökt, spänn det med den yttre böjda sidan mot anslaget. Säkerställ alltid att det inte finns något gap mellan arbetsstycket, anslaget och bordet längs med skärinjen. Böjda eller krökta arbetsstycken kan vridas eller röra på sig och orsaka att sågbladet fastnar eller vrids. Det får inte finnas några spikar eller främmande föremål i arbetsstycket.

Använd inte sågen förrän bordet är fritt från verktyg, trärester osv., med undantag för arbetsstycket. Skräp eller lösa träbitar eller andra föremål som kommer i kontakt med det roterande bladet kan kastas iväg med hög hastighet.

Skär endast ett arbetsstycke i taget. Flera staplade arbetsstycken kan inte spännas fast säkert eller fästas och kan fastna på bladet eller vridas under skärning.

Säkerställ att gersågen är monterad och placerad på en jämn, stabil arbetsyta före användning. En jämn och stabil arbetsyta minskar risken för att gersågen blir ostabil.

Planera ditt arbete. Varje gång du ändrar skråvinkel eller vinkel för gersågen, säkerställ att det justerbara anslaget är korrekt för att stödja arbetsstycket och inte kommer i vägen för bladet eller skyddssystemet. Utan att slå på verktyget och utan något arbetsstycke på bordet, för sågbladet genom en helt simulerad skärning för att säkerställa att det inte finns någon störning eller fara vid skärning genom anslaget.

Tillhandahåll tillräckligt stöd i form av bordsförlängningar, sågbocker osv., för arbetsstycken som är bredare eller längre än bordsskivan. Arbetsstycken som är längre eller bredare än bordet för gersågen kan tippa om de inte stöds på ett säkert sätt. Om avskärningsbiten eller arbetsstycket tippar, kan det resa det nedre skyddet eller kastas iväg av det snurrande bladet.

Använd inte en annan person som en ersättare för en bordsförlängning eller för ytterligare stöd. Ostabil stöd av arbetsstycket kan orsaka att bladet fastnar eller att arbetsstycket vrids under skärning, vilket kan göra att du och medhjälparen dras in i det snurrande bladet.

Avskärningsbiten måste in fästas eller tryckas mot det snurrande sågbladet på något sätt. Om den fastnar, dvs. om långstopp används, kan avskärningsbiten kila in i bladet och kastas iväg okontrollerat.

Använd alltid en klämma eller en fixtur som är utformad för att korrekt stödja runt material som stänger eller rör. Stänger har en tendens att snurra medan de skärs, vilket gör att bladet biter och drar in arbetsstycket samt din hand in i bladet.

Låt bladet nå full hastighet innan det får kontakt med arbetsstycket. Detta minskar risken för att arbetsstycket kastas iväg.

Stäng av (off) gersågen om arbetsstycket eller bladet fastnar. Invänta att alla rörliga delar har avstannat och koppla loss kontakten från strömkällan och/eller ta ur batteripaketet. Arbeta sedan för att frigöra materialet som fastnat. Att fortsätta säga med material som fastnat kan göra att du tappar kontrollen eller skada gersågen.

Efter slutförd skärning, släpp strömbrytaren, håll såghuvudet nedåt och vänta tills bladet har stannat före du tar bort avskärningsbiten. Att sträcka din hand nära kastbladet är farligt. Håll ordentligt i handtaget när du gör en ofullständig skärning eller när du släpper strömbrytaren före såghuvudet är helt nere. Sagens bromsverkan kan göra att såghuvudet plötsligt dras nedåt, vilket utgör en olycksrisk.





## SAKERHETSANVISNINGAR FÖR TRÄSÄGBLAD

Läs manualen och anvisningarna noggrant innan du använder sågbladet och maskinen.

Produkten måste vara i gott skick, spindeln utan deformation och vibrationer.

Använd inte produkten utan att skydden är på plats. Håll skydden i gott skick och underhåll dem på rätt sätt.

Säkerställ att operatören har tillräcklig utbildning när det kommer till säkerhetsåtgärder, justering och drift av produkten.

Använd alltid skyddsglasögon och hörselskydd vid användning av produkten. Det är rekommenderat att använda handskar, kraftiga halkfria skor och förkläde.

Innan du använder något tillbehör, läs instruktionsmanualen. Felaktig användning av ett tillbehör kan orsaka skador och öka risken för olycksfall.

Använd endast blad som anges i denna manual, som överensstämmer med EN 847-1.

Observera den maximala hastigheten som anges på sågbladet. Säkerställ att den hastighet som anges på sågbladet är åtminstone lika med den hastighet som anges på sägen.

Använd alltid blad med korrekt storlek och form på spindelhålen. Blad som inte matchar infattningen i sägen kommer att arbeta ocentrerat och användaren kan därför inte kan styra sägen.

Använd inte blad med större eller mindre diameter än rekommenderat. Använd inte några brickor för att få bladet att passa in i spindeln.

Kontrollera sågbladets spetsar efter skador eller onormalt slitage före varje användning. Skadade eller lösa spetsar kan kastas iväg vid användning och öka risken för personskada.

Använd inte spruckna eller deformerade sågblad. Använd inte sågblad som är skadade eller deformerade.

Det är inte tillåtet att reparera sågbladet om det är skadat, deformerat, förvridet eller sprucket.

Använd inte HSS-blad.

Säkerställ att sågbladet är korrekt monterat, fäst spindelmuttern ordentligt innan användning (åtdragningsmoment ca 12 Nm).

Fästskruv och muttrar ska fästas med lämplig skruvnyckel.

Förlängning av skruvnyckeln eller åtdragning genom hammarslag är inte tillåtet.

Säkerställ att bladet och flänsarna är rena och att kragens nedsänkta sidor ligger mot bladet.

Säkerställ att bladet roterar i rätt riktning.

Före arbetet, utför en provskärning utan att motorn är påslagen, så att bladets position, skyddets funktion i förhållande till andra maskin delar och arbetsstycket kan kontrolleras.

Lämna aldrig produkten utan uppsikt.

Applicera inte smörjmedel på bladet när det är igång.

Utför aldrig något rengörings- eller underhållsarbete när maskinen fortfarande är igång och huvudet inte är i viloläge.

Försök aldrig att snabbt stoppa en maskin som är i rörelse genom att klämma ett verktyg eller andra föremål mot bladet, det kan oavsiktligt leda till allvarliga olyckor.

Koppla bort produkten från elnätet eller ta ur batteripaketet innan du byter blad eller utför underhållsarbete.

Var försiktig när bladet packas upp och läggs tillbaka i förpackningen, det är lätt att skadas av de vassa bladspetsarna.

Använd bladhållare eller handskar vid hantering av sågblad.

Förvara bladet i originalförpackningen eller annan lämplig förpackning, förvara det torrt och på avstånd från kemikalier som kan skada bladet.

## YTTERLIGARE SAKERHETS OCH ARBETSINSTRUKTIONER

Spänn alltid fast arbetsstycket på ett tryggt och säkert sätt.

Kontrollera att produkten alltid är stabil och säker (t.ex. fastsatt på en bänk).

Använd alltid hörselskydd. Bullerbelastning kan orsaka hörselskador.

Använd alltid skyddsglasögon vid användning av produkten. Vi rekommenderar att du använder handskar för hantering av blad och grova material, samt kraftiga halkfria skor för att skydda fötterna från arbetsstycken som kan falla från skärområdet.

Koppla bort produkten från elnätet eller ta ur batteripaketet innan du utför underhållsarbete eller rengör produkten.

Anslut endast till elnätet när produkten är avstängd.

Håll nätkabeln borta från produktens arbetsområde. Håll den borta från det område som operatören står i.

Sträck dig aldrig in i området nära bladet om inte bladet har stannat helt.

Inspektera produkten, kabeln och kontakten grundligt med avseende på skador eller materialförsvagningar innan användning. Reparationer av hela produkten, inklusive strömkabeln, får endast utföras av ett auktoriserat servicecenter.

Använd alltid produktens skydd. Använd inte produkten om skydden inte är på plats och fungerar korrekt.

Det lägre skyddet för bladet skall bara öppnas när bladet har sänkts mot arbetsstycket, och måste alltid kunna röra sig fritt och stängas automatiskt.

Fixera alltid och använd förlängningsstänger för att stödja arbetsstycket under drift.

Ändra eller modifiera aldrig produkten eller dess funktioner. Din säkerhet kan äventyras.

Använd inte sågblad som är spruckna, skadade eller deformerade.

Använd inte sågblad av höghastighetsstål.

Använd endast vassa blad. Byt ut slöa blad.

Använd alltid blad med korrekt storlek och form på spindelhålen. Blad som inte matchar infattningen i sägen kommer att arbeta ocentrerat och användaren kan därför inte kan styra sägen.

Använd endast blad avsedda för träbearbetning som anges i denna manual, som överensstämmer med EN 847-1.

Använd inte några andra flänsar, brickor och muttrar för att fästa sågbladet än de som medföljer eller anges i instruktionsmanualen.

Det är nödvändigt att välja ett sågblad som är lämpligt för det material som ska skäras. Använd aldrig produkten för att skära material annat än de som specificerats i den avsedda användningssektionen i denna manual.

Det är viktigt att undvika överhettning av bladet och smältning av plast vid skärning.

Det är viktigt att hålla sig till den maxhastighet som står angiven på sågbladet, använd endast sågblad som är märkta med en hastighet som är samma som eller högre än hastigheten som anges på verktyget.

Byt ut bordsinsatsen när den är sliten eller skadad.

Före arbetet, utför en provskärning utan att motorn är påslagen, så att bladets position, skyddets funktion i förhållande till andra maskin delar och arbetsstycket kan kontrolleras.

Vid utförande av gerade, fasade eller kombinerade skärningar, justera det glidande anslaget eller det extra anslaget för att säkerställa korrekt avstånd från bladet.

Undvik okontrollerad frigöring av sägen i läget helt nere.

Handtagslåset måste alltid vara inkopplat vid transport av produkten.

Produkten ska förvaras i nollgraders gerings- och fasvinkel och låsas i position. Handtaget ska låsas i det nedre (säkra) läget med skydden stängda.

Vid transport i ett fordon, ställ produkten på dess bas och säkra den så att den inte rör sig.

Lyft endast produkten med de handtag som medföljer för detta ändamål. Använd alltid två händer för att lyfta produkten.

Håll golvytan fri från löst material, som spån och kapningar.

Ta inte bort eventuella kapningar eller andra delar av arbetsstycket från skärområdet medan produkten är i gång och såghuvudet inte är i viloläge.

Långa arbetsstycken måste få tillräckligt stöd. Sagens arbetsområde omfattar hela arbetsstycket. Operatören bör säkra detta område så att ingen oavsiktlig kontakt sker med andra personer eller föremål som kan flytta arbetsstycket under drift.

EN
DE
FR
IT
ES
PT
NL
DA
NO
SV
FI
EL
TR
CS
SK
PL
HU
SL
HR
LV
LT
ET
RU
BG
RO
MK
UK
AR





Det damm som uppstår vid användning av produkten kan utgöra en hälsorisk. Använd ett dammsugningssystem och bär lämplig dammskyddsmask. Ta bort damm noggrant med dammsugare.

Det kan vara nödvändigt att justera det glidande anslaget för att säkerställa att det finns tillräckligt med fritt utrymme före du utför avfasning eller kombinerad skärning. Säkerställ att låsskruven för det glidande anslaget är ordentligt åtdragen efter justeringen.

Klämman kan installeras och användas på valfri sida av bladet. Vid vissa operationer kan klämman störa bladskyddsmonteringen. Säkerställ alltid att det inte finns någon störning med bladskyddet innan du påbörjar någon skärning för att minska risken för allvarig personskada.

**⚠ VARNING!** Vid utförande av 70° geringssågning är endast 0° fasvinkel tillåten.

De roterande bordsförlängningarna kan ställas in på en av tre positioner, beroende på önskad typ av skärning.

Ställ inte in bordsförlängningarna på de olästa positionerna. Ställ in på en av de tre lästa positionerna.

Använd de roterande bordsförlängningarna när du gör geringssnitt som är större än 45°.

Ersätt inte LED-lampan med en annan typ. Eventuella reparationer måste utföras av tillverkaren eller av auktoriserade serviceombud.

Vid användning av produkten utomhus rekommenderar tillverkaren användning av en RCD-enhet med en trippinställning på 30 mA.

Vid användning av produkten kan spänningsvariationer påverka andra elektriska produkter eller belysning på samma strömkrets. Anslut verktyget till en strömkälla med en impedans på 0,299 Ω för att minimera spänningsfluktuationerna. Kontakta din leverantör av elkraft för ytterligare klargöranden.

## LÄR KÄNNA DIN PRODUKT

Se sidan 2-3.

1. Handtag, isolerad greppyta
2. Strömbrytare
3. Spårspak
4. LED-omkopplare
5. Övre skydd
6. Kolborste
7. Spindel-läsknapp
8. Låsstift för huvud
9. Nedre skydd
10. Glidande staket
11. Fast staket
12. Roterande bordsförlängning
13. Läsknapp för bord
14. Förbikopplingsknapp för gerspär
15. Gerläsarm
16. Monteringshål
17. Justeringskruv för skärdjup
18. Låsmutter för skärdjup
19. Stopplatta för skärdjup
20. Bärhandtag
21. Insexnyckel
22. Läsknapp för fasvinkel
23. Skala för avfasning
24. Våndskiva
25. Skruvar för låsning av gerskala
26. Damppåse
27. Gränsspak för glidskena
28. Läsknapp för glidskena
29. Spak för fasspär
30. Klämman
31. Gerskala
32. LED-lampa
33. Yttre fläns
34. Sågblad
35. Platta för sågsnitt

## LISTA ÖVER RESERVDELAR

- PS254DBE: Gersågen EN 847-1/ Ø 254 x Ø 30 x 2,6 / 48T / HW / N max. 7400 min<sup>-1</sup> (sidan 3. Nr 34)
- Platta för sågsnitt (sid. 3. Nr 35)
- Kolborste (sidan 2. Nr 6)

## UNDERHÅLL

Modifiera inte produkten på något sätt eller använd tillbehör som inte är godkända av tillverkaren. Din och andras säkerhet kan äventyras.

Använd inte produkten om några omkopplare, skydd eller andra funktioner inte fungerar som avsett. Returnera till ett auktoriserat servicecenter för professionell reparation eller justering.

Gör inga justeringar medan sågbladet är i rörelse.

Säkerställ alltid att produkten har kopplats bort från elnätet innan du gör justeringar, smörjer eller vid eventuellt underhåll av produkten.

Inspektera produkten med avseende på skador eller trasiga delar, före och efter varje användning. Håll produkten i gott skick genom att omedelbart ersätta delar med reservdelar som godkänts av tillverkaren.

Bladet har skarpa kanter och kan vara varmt efter skärningsoperationer. Var extremt försiktig när du rengör det exponerade bladet. Använd handskar för att förhindra personskada.

Rengör regelbundet sågen och dess tillbehör från damm, särskilt rörliga delar inklusive bladskyddet. Använd en borste eller dammsugare för att effektivt ta bort damm. Använd inte tryckluft.

Använd inte lösningsmedel vid rengöring av plastdelar. De flesta plaster är känsliga för olika typer av kommersiella lösningsmedel och kan skadas genom användningen av dessa. Använd rena dukar för att avlägsna smuts, koldamm osv.

Använd endast tillbehör och reservdelar från AEG. Om komponenter som inte har beskrivits här behöver ersättas, var vänlig kontakta ett av våra AEG serviceombud (se vår förteckning över garanti-/serviceadresser).

Vid behov kan en sprängskiss av produkten beställas. Ange produkttyp och serienummer (finns tryckta på märkningen) och beställ ritningen från ditt lokala serviceombud eller direkt på: Techtronic Industries GmbH, Max-Eyth-Straße 10, 71364 Winnenden, Germany.

## SYMBOLER

	Läs anvisningarna noggrant innan du startar produkten.
	OBSERVERA! VARNING! FARA!
	Koppla ur kontakten från eluttaget innan du utför något arbete på produkten.
	Klass II verktyg, dubbel isolering
	Använd skyddsglasögon.
	Använd hörselskydd.
	Exponera inte för regn eller använd på fuktiga platser.
	Använd skyddshandskar.
	Håll händerna borta från skärområdet och det vassa bladet.





	OBSERVERA! Titta inte direkt in i arbetslampan.
	Rotationsriktning för blad
	Sågtand
	Skärbredd
	Spindelhål och bladstorlek
	Endast för sågning av trä
	Justera positionen för det glidande anslaget före du utför avfasning eller kombinerade skärningar.
	Kassera inte elektriskt och elektroniskt avfall som osorterat restavfall. Elektriskt och elektroniskt avfall måste samlas in separat.
	Ljuskällor måste plockas bort från utrustningen. Fråga din lokala myndighet eller återförsäljare för återvinningsråd och uppsamlingsplats. Enligt lokala bestämmelser kan återförsäljare ha en skyldighet att kostnadsfritt ta tillbaka elektriskt avfall och elektronisk utrustning. Ditt bidrag till återanvändning och återvinning av elektriskt och elektroniskt avfall bidrar till att minska behovet av råmaterial. Elektriskt och elektroniskt avfall innehåller värdefulla och återvinningsbara material som kan påverka miljön och människors hälsa negativt, om de inte kasseras på ett miljömässigt kompatibelt sätt. Radera eventuella personuppgifter från avfallsutrustningen.
	Spänning
	Växelström
	CE-märkning
	Ukrainsk CE-märkning
	EurAsian överensstämmelsesymbol

## FI ALKUPERÄISTEN OHJEIDEN KÄÄNNÖS

### KÄYTTÖTARKOITUS

Jiirikatkaisusaha on tarkoitettu massiivipuun ja liimapuulevyjen, liimavaneria sisältävien tai sisältämättömien puunkaltaisten materiaalien sekä muovien sahaamiseen.

Jiirikatkaisusaha on tarkoitettu vain aikuisten käyttöön, jotka ovat lukeneet käyttöoppaan ja ymmärtävät riskit ja vaarat.

Jiirikatkaisusahan jalusta on kiinnitettävä lujan työpenkin päälle. Ellei jalustaa kiinnitetä lujasti, koko kone voi liikkua sahausken aikana, mikä lisää vakavien henkilövammojen riskiä.

Jiirikatkaisusaha on suunniteltu vino- ja viisteleikkauksiin. Erilaisten katkaisujen ominaisuudet on ilmoitettu tämän oppaan teknisissä tiedoissa.

Jiirikatkaisusahaa on käytettävä kuivissa olosuhteissa erinomaisesti valaistussa ja riittävästi ilmastoidussa tilassa.

Jiirikatkaisusaha on tarkoitettu kuluttajakäyttöön. Sitä tulee käyttää vain yllä kuvatulla tavalla, eikä sitä ei ole suunniteltu mihinkään muuhun tarkoitukseen.

Älä käytä tätä tuotetta millään muulla tavalla kuin mihin se on tarkoitettu.

**VAROITUS!** Lue kaikki laitteen mukana toimitetut turvaohjeet, kuvat ja tekniset tiedot. Näiden ohjeiden laiminlyönti voi aiheuttaa onnettomuusia kuten tulipalon, sähköiskun ja/tai vakavia ruumiinvammoja.

**Säilytä kaikki varoitukset ja ohjeet, koska voit vielä tarvita niitä.**

### JIIRIKATKAISUSAHOJEN TURVALLISUUSOHJEET

Jiirikatkaisusahat on suunniteltu puun tai puunkaltaisen materiaalin leikkaamiseen, niillä ei voi käyttää hiomalaikkoja rautamateriaalin, kuten kiskojen, tankojen, niittien jne., katkaisuun. Hiomapöly aiheuttaa liikkuvien osien, kuten alasuojuksen, jumitutumisen. Hiomalaikalla katkaisusta syntyvät kipinät polttavat alasuojuksen, sahausrakoinseritin ja muut muoviosat.

Käytä puristimia työkappaleen tukemiseksi aina kun mahdollista. Jos tuet työkappaletta kädellä, pidä käsi aina vähintään 100 mm:n päässä sahanterän molemmista puolista. Älä yritä katkaista tällä sahalla kappaletta, jotka ovat liian pieniä turvallisesti paikallaan pideltäviksi. Tapaturmariski kasvaa, jos käsi on liian lähellä terää.

Työkappaleen on oltava paikalleen puristettuna tai painettuna sekä suojusta että pöytä vasten. Älä syötä kappaletta terälle tai katkaise "vapaalla kädellä" missään olosuhteissa. Löysät tai liikkuvat työkappaleet voivat sinkoutua suurella nopeudella ja aiheuttaa henkilövahingon.

Työnnä saha työkappaleen läpi. Älä vedä sahaa työkappaleen läpi. Suorita katkaisu siten, että nostat sahan päätä ja vedät sitä ulospäin työkappaleen yli, leikkaamatta, käynnistä moottori, paina sahan päätä alaspäin ja työnnä saha työkappaleen läpi. Katkaisu terää vetämällä voi saada terän nousemaan työkappaleen päälle, jolloin teräkköonpano voi sinkoutua käyttäjää kohti.

Älä koskaan laita käsiäsi kaavailun katkaisulinjan ylle, ei terän eteen eikä taakse. Työkappaleen paikallaan pitäminen siten, että käsi on terän yläpuolella, on hyvin vaarallista.

Älä vie kättä, roskien poistamiseksi tai mistä muusta syystä tahansa, suojuksen takana 100 mm lähemmäksi terää sen pyöriessä. Välimatkaa pyörivästä terästä käteen voi olla vaikea hahmottaa tarkasti, jolloin tapaturman riski on suuri.

Tutki työkappale tarkasti ennen katkaisua. Jos työkappale on taipunut tai vääntynyt, kiinnitä se siten, että taipunut ulkopuoli tulee suojusta vasten. Varmista aina, että työkappaleen, suojuksen ja pöydän väliin ei jää katkaisulinjan suuntaista rakoa. Taipuneet tai vääntyneet työkappaleet voivat kiertää tai siirtyä ja jumittua pyörivän terän. Työkappaleessa ei saa olla nauloja tai muita vierasesineitä.

Varmista ennen sahan käynnistämistä, että pöydällä ei ole roskaa eikä muita esineitä kuin työstettävä kappale. Puunkappaleet ja muut pienet roskat saattavat pyörivään terään osuessaan sinkoutua suurella nopeudella.



EN  
DE  
FR  
IT  
ES  
PT  
NL  
DA  
NO  
SV  
FI  
EL  
TR  
CS  
SK  
PL  
HU  
SL  
HR  
LV  
LT  
ET  
RU  
BG  
RO  
MK  
UK  
AR





**Katkaise vain yksi työkappale kerrallaan.** Useita päällekkäin pinottuja työkappaleita ei voi asianmukaisesti puristaa tai tukea paikalleen ja ne saattavat jumiuttaa terän tai liikkua katkaisun aikana.

**Varmista ennen sahan käyttämistä, että se on asennettu tai sijoitettu tasaiselle ja tukevalle alustalle.** Tasainen ja tukeva alusta pienentää riskiä sahan muuttamisesta epävakaaaksi.

**Suunnittele työtehtävä hyvin. Aina kun muutat viiste- tai vinosukulman säätöjä, varmista, että säädettävä suojus on kunnolla paikallaan tukemassa työkappaletta ja että se ei häiritse terän tai suojajärjestelmän toimintaa.** Simuloi täydellinen katkaisu, kytkemättä virtaa ja ilman työkappaletta, sen varmistamiseksi, että suojus ei häitää katkaisutoimintaa eikä aiheuta mitään siihen liittyvää vaaraa.

**Järjestä asianmukainen tuki, esim. pöydän jatkeet, sahauspukit jne., työkappaleelle, joka on pöytälevyvä leveämpi tai pidempi.** Jiirikatkaisusahan pöytää pidemmät tai leveämmät työkappaleet saattavat kiepsahtaa, jos niitä ei ole kunnolla tuettu. Jos leikattu tai työstettävä kappale kiepsahtaa, se saattaa samalla nostaa alasuojusta tai singota pyörivän terän voimasta.

**Älä käytä toista henkilöä korvaamaan pöydän jatketta tai tukemaan työstettävää kappaletta.** Työkappaleen epävakaa tuki saattaa jumiuttaa terän tai aiheuttaa leikattavan kappaleen liikkumisen, jonka seurauksena voit auttavan henkilön kanssa tempautua vaarallisen lähelle pyörivää terää.

**Leikattua kappaletta ei missään tapauksessa saa painaa pyörivää terää vasten.** Liian ahtaasti, esim. pituusrajoittimilla, rajattu leikattu kappale saattaa kiilloutua terää vasten ja sinkoutua suurella nopeudella.

**Käytä aina puristinta tai pyöreän materiaalin, kuten tangon tai putken, tukemiseen suunniteltua kiinnitintä.** Tangot pyrkivät leikatessa pyörimään, jonka seurauksena terä ”haukkaa” ja vetää piteleessäsi kappaletta itseään kohti.

**Anna terän saavuttaa täysi pyörimisnopeus ennen kuin kosketat sillä työkappaleita.** Näin riski työkappaleen sinkoutumisesta pienenee.

**Jos työkappale tai terä jumiutuu, katkaise sahasta virta. Odota kaikkien liikkuvien osien pysähtymistä ja irrota pistoke pistorasiasista ja/tai poista akku. Irrota sen jälkeen jumiutunut materiaali.** Sahausten jatkaminen jumiutuneella työkappaleella voi aiheuttaa työtehtävän kontrolliin menetyksen tai vioittaa sahaa.

**Ennen kuin poistat katkaistun kappaleen, vapauta kytkin, pidä sahan pää aihealla ja odota terän pysähtymistä.** Käden vieminen liian lähelle virran poiskytkemisen jälkeen vielä liikkuvaa terää on vaarallista.

**Pidä kahvasta lujasti kiinni katkaisun aikana tai vapauttaessasi kytkintä, kunnes sahan pää on täysin ala-asennossaan.** Sahan jarrutus toiminnon seurauksena sahan pää saattaa äkillisesti vetää alapäin, mikä voi aiheuttaa tapaturlun.

## **PUUN LEIKKUEURAN TURVALLISUUSOHJEET**

Lue käyttöopas ja ohjeet huolellisesti ennen sahanterän ja laitteen käyttämistä.

Tuotteen on oltava hyvässä kunnossa ja karan vääristymätön ja särkinäköinen.

Älä käytä tuotetta ilman paikoilleen asennettuja suojuksia. Pidä suojukset hyvässä kunnossa ja hyvin huollettuina.

Varmista, että käyttäjä on hyvin perillä käytössä koskevista varoitusmerkistä sekä tuotteen säädöistä ja toiminnasta.

Käytä tuotteella työskennellessäsi aina suojalaseja ja kuulosuojaimia. On suositeltavaa käyttää käsiineitä, tukevia liukumattomia kenkiä ja esiliinaa.

Ennen kuin käytät lisävarusteita, tutustu käyttöoppaaseen. Lisävarusteen virheellinen käyttö voi aiheuttaa vaurioita ja lisätä loukkaantumisaaraa.

Käytä ainoastaan tässä käyttöoppaassa mainittuja standardin EN 847-1 mukaisia teriä.

Noudata sahanterään merkittyä enimmäisnopeutta. Varmista, että sahanterään merkitty nopeus on vähintään sama kuin sahaan merkitty nopeus.

Käytä aina teriä, joiden tuurnan reikien koko ja muoto on oikea. Terät, jotka eivät vastaa sahan kiinnityslaitetta, liikkuvat epäkeskisesti aiheuttaen hallinnan menetyksen.

Älä käytä teriä, joiden läpimita on suositeltua suurempi tai pienempi. Älä käytä välilevyjä terän asettamiseksi karaan.

Tarkista sahanterän kärjet vaurioiden tai epänormaalin ulkonäön varalta aina ennen käyttöä. Vaurioituneet tai löystyneet kärjet voivat sinkoutua käytössä ja lisätä henkilövahinkojen vaaraa.

Älä käytä murtuneita tai väyntyneitä sahanteriä. Älä käytä vaurioituneita tai väyntyneitä sahanteriä.

Hävitä sahanterä, jos se on vaurioitunut, vääristynyt, väyntynyt tai halkeillut, korjaaminen ei ole sallittua.

Älä käytä HSS-teriä.

Varmista, että sahanterä on asennettu oikein, kiristä tuurnamutteri ennen käyttöä (kiristysmomentti n. 12 Nm).

Kiinnitysruuvi ja -mutterit on kiristettävä asianmukaisella kiintoavaimella jne.

Kiintoavaimen jatkaminen tai vasaraniskuilla kiristäminen ei ole sallittua.

Varmista, että terä ja laipat ovat puhtaita ja että kauluksen upotetut sivut ovat terää vasten.

Varmista, että terä pyörii oikeaan suuntaan.

Tee ennen työtä koeleikkaus käynnistämättä moottoria, jotta terän asento, suojusten toiminta suhteessa koneen muihin osiin ja työkappale voidaan tarkistaa.

Älä koskaan jätä käynnissä olevaa tuotetta valvomatta.

Älä käytä voiteluaineita terään, kun se on käynnissä.

Älä koskaan tee mitään puhdistus- tai huoltotoimenpiteitä, kun kone on vielä käynnissä ja pää ei ole leposenossa.

Älä koskaan yritä pysäyttää konetta nopeasti työntämällä työkalua tai muuta esinettä terää vasten, sillä se voi aiheuttaa tahattomasti vakavan loukkaantumisen.

Kytke tuote irti verkkovirrasta tai irrota akku ennen terien vaihtamista tai huoltotoimenpiteitä.

Kiinnitä huomiota terän pakkaamiseen ja purkamiseen; terävät hampaat voivat helposti aiheuttaa loukkaantumisen.

Käytä sahanterän pidintä tai käsiineitä, kun käsittelet sahanterää.

Pidä ja säilytä terää alkuperäispakkauksessa tai muussa sopivassa pakkauksessa ja säilytä sitä kuivassa paikassa ja etäällä kemikaaleista, jotka voivat vahingoittaa terää.

## **TURVALLISUUTTA JA KÄYTTÖÄ KOSKEVAT LISAOHJEET**

Kiinnitä työkappale aina turvallisesti ja tukevasti.

Varmista, että tuote on aina vakaa ja tukeva (esim. kiinnitetty penkkiin).

Käytä aina kuulosuojaimia. Altistuminen melulle voi vahingoittaa kuulua.

Käytä tuotteella työskennellessäsi aina suojalaseja. Terien ja karkeiden materiaalien käsittelyyn suositellaan käsiineitä sekä tukevia liukumattomia kenkiä, jotka suojaavat jalkoja sahausalueelta mahdollisesti putoavilta työkappaleilta.

Kytke tuote irti verkkovirrasta tai irrota akku ennen huolto- tai puhdistamistoimenpiteitä.

Kytke tuote virtalähteeseen vain, kun se on kytketty pois päältä.

Pidä verkkovirtajohto poissa tuotteen työskentelyalueelta. Pidä se poissa alueelta, jossa käytät seisoa.

Älä koskaan mene terän lähelle, ellei terä ole pysähtynyt kokonaan.

Tarkista tuote, kaapeli ja tulppa huolellisesti ennen käyttöä vaurioiden tai materiaalin väsymisen varalta. Tuotteen korjaukset, mukaan lukien virtakaapeli, tulee tehdä ainoastaan valtuutetussa huoltoliikkeessä.

Käytä tuotteessa aina suojuksia. Älä käytä sahaa, jos suojat eivät ole paikoillaan ja toimi oikein.

Alemman teräsuojaus tulla avautua ainoastaan terän ollessa laskettuna työkappaleeseen, ja sen on aina voitava liikkua esteettä ja sulkeutua automaattisesti.

Kiinnitä ja käytä katkaisun aikana työkappaleen tukemiseen aina jatkopalkkeja.

Älä tee muutoksia tuotteeseen tai sen toimintaan. Turvallisuutesi voi vaarantua.

Älä käytä sahanteriä, jotka ovat halkeilleet, vaurioituneet tai väyntyneet.



Älä käytä nopeasta teräksestä valmistettuja sahanteritä.

Käytä vain teräviä teriä. Vaihda tylsät terät.

Käytä aina teriä, joiden tuuman reikien koko ja muoto on oikea. Terät, jotka eivät vastaa sahan kiinnityslaitetta, liikkuvat epäkäsikisesti aiheuttaen hallinnan menetyksen.

Käytä ainoastaan tässä käyttöoppaassa mainittuja, standardin EN 847-1 mukaisia puun työstämiseen tarkoitettuja teriä.

Älä käytä muita kuin käyttöoppaassa mainittuja laippoja, aluslevyjä tai muttereita sahanterän kiinnittämiseen.

On tärkeää valita sahanterä, joka sopii sahattavaan materiaaliin.

Älä sahaa tuotteella muita kuin tässä käyttöoppaassa mainittuja materiaaleja.

On tärkeää, että terä ei pääse käytön aikana ylikuumentumaan, sillä se voi sulattaa muoviosia.

On tärkeää noudattaa sahanterälle asetettua enimmäisnopeutta, käytä ainoastaan sahanterää, johon on merkitty sama tai suurempi nopeus kuin työkalussa.

Vaihda pöydän sovitinosa, kun se on kulunut tai vahingoittunut.

Tee ennen työtä koeleikkaus käynnistämättä moottoria, jotta terän asento, suojusten toiminta suhteessa koneen muihin osiin ja työkalupalle voidaan tarkistaa.

Kun teet viisto- tai vinosahausta tai niiden yhdistelmää, säädä liu'utettava suojus tai alusuojaus siten, että terän liikkumisvara tulee oikein asetetuksi.

Vältä sahayksikön kontrolloimatonta vapautusta kokonaan alhaalla olevasta asennosta.

Kahvan lukituksen on oltava päällä aina tuotetta kuljettaessa.

Tuote tulee säilyttää nolla-asteen jiiri- ja viistekulmassa ja lukita paikalleen. Kahva on lukittava alempaan (turvalliseen) asentoon, ja suojukset on suljettava.

Kun kuljetat tuotetta ajoneuvossa, aseta se jalustalleen ja varmista, ettei se liiku.

Nosta tuotetta vain tähän tarkoitukseen varatuista kahvoista. Nosta tuotetta aina kahdella kädellä.

Pidä latia puhtaana irtomateriaaleista, kuten lastuista ja leikkujätteestä.

Älä ota leikkuualueelta mitään työkalupaleen leikkujätteitä tai muita osia tuotteen käydessä, kun sahapää ole lepoasennossa.

Pitkät työkalupaleet on tuettava asianmukaisesti. Sahan työskentelyalue sisältää koko työkalupaleen laajuuden. Käyttäjän on kiinnitettävä tämä alue siten, että se ei joudu kosketuksiin muiden henkilöiden tai esineiden kanssa, jotka voivat liukuttaa työkalupalleta käytön aikana.

Laitteen käytön tuloksena syntyvä pöly voi olla terveydelle vaarallista. Käytä polyinimurijärjestelmää ja asianmukaista pölyltä suojaavaa naamaria. Poista kerääntynyt pöly perusteellisesti imurilla.

Riittävän välyksen varmistamiseksi voi ennen viisteen tai yhdistetyn leikkauksen tekemistä olla tarpeen säätää leikkuuohjain. Varmista, että liukuohjaimen lukitusruuvi on kiristetty tiukasti säädön jälkeen.

Pidike voidaan asentaa kummalle puolelle terää tahansa, ja sitä voidaan käyttää terän molemmin puolin. Joissakin toiminnoissa pidike voi häiritä teräsuojuskokoonpanoa. Varmista vakavien henkilövahinkojen riskin pienentämiseksi aina ennen leikkaamisen aloittamista, että mikään ei häiritse teräsuojusta.

**VAROITUS!** 70° jiirikatkaisun aikana sallitaan vain 0 viistokulma.

Pyörivät jatkopöydät voidaan asettaa yhteen kolmesta asennosta, riippuen halutusta sahaustyyppistä.

Älä aseta jatkopöytä lukitsemattomiin asentoihin. Aseta vain yhteen kolmesta lukitustaasennosta.

Käytä pyöriviä jatkopöytä, kun viisteleikkaukset ovat yli 45°.

Älä vaihda LED-valoja eri tyyppiin. Vain valmistaja tai valtuutettu huoltoliike saa korjata tuotteen.

Kun tuotetta käytetään ulkona, valmistaja suosittelee käytettäväksi RCD-laitetta, jonka laukaisusäätös on 30 mA.

Kun tuotetta käytetään, jännitevaihtelut voivat vaikuttaa muihin sähkötuotteisiin tai samaan virtapiiriin. Liitä työkalu virtalähteeseen, jonka impedanssi on 0,299 Ω jännitevaihteluiden minimoimiseksi. Pyydä lisätietoja sähköenergiatoimittajaltasi.

## TUNNE TUOTTEESI

Katso sivu 2-3.

1. Kahva, eristetty tartuntapinta
2. Virtsakytkin
3. Vapautuskytkinvipu
4. LED-kytkin
5. Yläsuojus
6. Hiiliharja
7. Karan lukituspainike
8. Pään lukitustappi
9. Alusuojaus
10. Liukuva ohjain
11. Kiinteä ohjain
12. Pyörivät jatkopöytä
13. Pöydän lukituspainike
14. Jiiripidätin ohituspainike
15. Jiirikatkaisusahan lukitusvipu
16. Asennusreikä
17. Leikkuusyvyyden säätöruuvi
18. Leikkuusyvyyden lukkomutteri
19. Leikkuusyvyyden pysäytyslevy
20. Kantokahva
21. Kuusiokoloavain
22. Viistekulman lukitusnuppi
23. Viisteasteikko
24. Kääntöpöytä
25. Jiiriasteikon lukitusruuvi
26. Pölypussi
27. Liukutangan rajoitusvipu
28. Liukutangan lukitusnuppi
29. Viistepidätinvipu
30. Pidike
31. Jiiriasteikko
32. Merkkivalo
33. Ulompi laippa
34. Sahaterä
35. Kerf-levy

## VARAOSALUETTELO

- PS254DBE: Jiirikatkaisusaha EN 847-1 / Ø 254 x Ø 30 x 2,6 / 4RT / HW / n maks. 7400 min-1 (sivu 3. Nro 34)
- Kerf-levy (sivu 3. Nro 35)
- Hiiliharja (sivu 2. Nro 6)

## HUOLTO

Älä muuntele tuotetta millään tavalla tai käytä lisävarusteita, joita valmistaja ei ole hyväksynyt. Turvallisuutesi ja muiden turvallisuus voi vaarantua.

Älä käytä tuotetta, jos jokin kytkin, suojaus tai muu toiminto ei toimi tarkoitettulla tavalla. Vie ammattimaista korjausta tai vaihtamista vaativa tuote valtuutettuun huoltoliikkeeseen.

Älä tee mitään säätöjä sahanterän ollessa liikkeessä.

Varmista aina, että tuote on kytketty irti verkkovirrasta, ennen kuin teet säätöjä, voitelet tai teet tuotteeseen mitään huoltotoimenpiteitä.

Tarkista tuote aina ennen käyttöä ja käytön jälkeen vaurioiden tai rikkoutuneiden osien varalta. Pidä tuote huippukunnossa vaihtamalla osat välittömästi valmistajan hyväksymiin varaosiin.

Terässä on terävät reunat, ja se voi myös olla kuumaa sahausksen jälkeen. Ole erittäin varovainen, kun puhdistat esillä olevaa terää. Käytä kasineita suojautuaksesi henkilövahingoilta.

Puhdista saha ja sen lisävarusteet pölystä säännöllisesti, erityisesti liikkuvat osat, kuten teräsuojus. Käytä puhdistamiseen harjaa tai pölynimuria. Älä käytä paineilmaa.

Vältä luottimien käyttöä puhdistasessasi muoviosia. Useimmat muovit ovat herkkiä monentyppisille kaupallisille luottimille ja saattavat vahingoittaa niitä käytettäessä. Poista lika, hiilipöly jne. puhtailla liinoilla.

Käytä vain AEG:n tarvikkeita ja varaosia. Jos jokin tässä kuvaamatta oleva osa pitää vaihtaa, ota yhteys johonkin AEG:n huoltohenkilöistä (ks. takuu- ja huolto-osoitteiden luettelo).

Laitteen räjähdyskuvan voi tilata tarvittaessa. Ilmoita tuotetyyppi ja etikettiin painettu sarjanumero ja tilaa piirros paikalliselta huoltoedustajalta tai suoraan osoitteesta: Techtronic Industries GmbH, Max-Eyth-Straße 10, 71364 Winnenden, Germany.





## SYMBOLIT

	Lue ohjeet huolellisesti ennen laitteen käynnistämistä.
	HUOMIO! VAROITUS! VAARA!
	Irrota pistoke pistorasiasta ennen kuin teet tuotteeseen mitään toimenpiteitä.
	Luokan II työkalu, kaksoiseristys
	Pidä suojalaseja.
	Käytä kuulosuojaimia.
	Älä altista sateelle tai käytä kosteissa paikoissa.
	Käytä suojakäsineitä.
	Pidä kädet loitolla sahausalueesta ja terävästä terästä.
	HUOMIO! Älä tuijota toiminnassa olevaan lampuun.
	Terän pyörimissuunta
	Terän hampaat
	Leikkuuleveys
	Tuurnareikä ja terän koko
	Vain puun sahaamiseen
	Säädä liukuohjaimen asento ennen viistotai yhdistelmäleikkausten suorittamista.
	Älä hävitä sähkö- ja elektroniikkalaiteromu lajittelemattomana yhdyskuntajätteenä. Sähkö- ja elektroniikkalaiteromu on kerättävä erikseen.
	Hukkavalonlähteet on poistettava laitteista.

Kysy paikalliselta viranomaiselta tai jälleenmyyjältä kierrätysneuvoja ja keräyspiste.

Paikallisten määräysten mukaan jälleenmyyjillä voi olla velvollisuus ottaa sähkö- ja elektroniikkalaiteromu takaisin veloitusetta.

Panoksesi sähkö- ja elektroniikkalaiteromun uudelleenkäyttöön ja kierrätykseen auttaa vähentämään raaka-aineiden kysyntää.

Sähkö- ja elektroniikkalaiteromu sisältää arvokkaita ja kierrätettäviä materiaaleja, jotka voivat vaikuttaa haitallisesti ympäristöön ja ihmisten terveyteen, jos niitä ei hävitetä ympäristöstävällisellä tavalla.

Poista mahdolliset henkilötiedot jätelaitteista.

V

Jännite

~

Vaihtovirta

CE

Eurooppalainen vaatimustenmukaisuusmerkintä

Ukrainalainen vaatimustenmukaisuusmerkintä

EAC

EurAsian-vaatimustenmukaisuusmerkki

## EL ΜΕΤΑΦΡΑΣΗ ΤΩΝ ΠΡΩΤΟΤΥΠΩΝ ΟΔΗΓΙΩΝ

### ΧΡΗΣΗ ΣΥΜΦΩΝΑ ΜΕ ΤΟ ΣΚΟΠΟ ΠΡΟΟΡΙΣΜΟΥ

Το φαλτσοπρίονο προορίζεται για την κοπή συμπαγούς και συσσωματωμένου ξύλου και υλικών παρόμοιων με ξύλο με ή χωρίς καπλαμά, καθώς και πλαστικών.

Το φαλτσοπρίονο προορίζεται για χρήση μόνο από ενήλικες χειριστές που έχουν διαβάσει το εγχειρίδιο χρήσης και έχουν κατανοήσει τους κινδύνους.

Το φαλτσοπρίονο έχει σχεδιαστεί για σταθεροποίηση σε βάση που βρίσκεται σε σταθερό πάγκο εργασίας. Εάν η βάση δεν είναι σταθεροποιημένη με ασφάλεια, ενδέχεται να μετακινήθει ολόκληρο το μηχάνημα κατά τη διάρκεια της κοπής, αυξάνοντας την πιθανότητα σοβαρού τραυματισμού.

Το φαλτσοπρίονο έχει σχεδιαστεί για λοξή και φάλτσα κοπή. Οι παρεχόμενες επιλογές κοπής για κάθε περίπτωση, αναφέρονται στις προδιαγραφές προϊόντος, στο παρόν εγχειρίδιο.

Το φαλτσοπρίονο προορίζεται για χρήση σε συνθήκες χωρίς υγρασία, με άριστο φωτισμό χώρου και επαρκή εξαερισμό.

Το φαλτσοπρίονο προορίζεται για χρήση από ιδιώτες και θα πρέπει να χρησιμοποιείται όπως περιγράφεται παραπάνω και για κανέναν άλλον σκοπό.

Μην χρησιμοποιείτε το προϊόν με τρόπο διαφορετικό από αυτόν που αναφέρεται για τη χρήση του.

**⚠️ ΠΡΟΕΙΔΟΠΟΙΗΣΗ! Διαβάστε όλες τις προειδοποιήσεις ασφαλείας, τις απεικονίσεις και τις προδιαγραφές που παρέχονται με το παρόν ηλεκτρικό εργαλείο.** Τυχόν μη τήρηση όλων των παρακάτω οδηγιών μπορεί να οδηγήσει σε ηλεκτροπληξία, πυρκαγιά και/ή σοβαρό τραυματισμό.

**Διατηρήστε όλες τις προειδοποιήσεις και τις οδηγίες για μελλοντική χρήση.**

### ΟΔΗΓΙΕΣ ΑΣΦΑΛΕΙΑΣ ΓΙΑ ΦΑΛΤΣΟΠΡΙΟΝΑ

Τα φαλτσοπρίονα προορίζονται για την κοπή ξύλου ή υλικών παρόμοιων με ξύλο. Δεν πρέπει να χρησιμοποιούνται με λειαντικούς τροχούς εκχονδρίσεως για την κοπή



σιδηρούχων υλικών όπως μπάρες, ράβδοι ή κολλάρα. Η λειαντική σκόνη μπορεί να φρακάρει τα κινούμενα μέρη όπως το κάτω προστατευτικό. Οι σπίνες από το τρίψιμο θα κάψουν το κάτω προστατευτικό, το ένθετο εγκοπής ή άλλα πλαστικά μέρη.

**Χρησιμοποιήστε σφιγκτήρες για να στηρίξετε το τεμάχιο εργασίας όπως είναι δυνατόν. Εάν στηρίξετε το τεμάχιο κοπής με το χέρι, πρέπει πάντα να κρατάτε το χέρι σας τουλάχιστον 100 χιλ. μακριά από κάθε πλευρά της λεπίδας. Μην χρησιμοποιείτε το φάλτσοπρίονο για κοπή κομματιών που είναι πολύ μικρά ώστε να στερεωθούν ή να κρατηθούν με το χέρι. Εάν το χέρι σας βρίσκεται πολύ κοντά στη λεπίδα του φάλτσοπρίονου, υπάρχει αυξημένος κίνδυνος τραυματισμού από την επαφή με τη λεπίδα.**

**Το τεμάχιο εργασίας πρέπει να παραμένει ακίνητο και στερεωμένο με σφιγκτήρα ή να κρατιέται κόντρα και στο διαχωριστικό προφύλαξης και στο τραπέζι. Μην φοροδοτείτε το τεμάχιο εργασίας στη λεπίδα και σε καμία περίπτωση, μην κόβετε με ελεύθερο χέρι. Τυχόν μη στερεωμένα ή κινούμενα τεμάχια εργασίας μπορεί να πεταχτούν με δύναμη και να προκαλέσουν τραυματισμό.**

**Σπρώξτε το φάλτσοπρίονο ώστε να διαπεράσει το τεμάχιο εργασίας. Μην τραβάτε το φάλτσοπρίονο από το τεμάχιο εργασίας. Για να κόψετε, σηκώστε την κεφαλή του πριονιού και τραβήξτε τη προς τα έξω, πάνω από το τεμάχιο εργασίας χωρίς να κόψετε. Ενεργοποιήστε το μηχάνημα, πιέστε την κεφαλή προς τα κάτω και σπρώξτε το πριόνι μέσα από το τεμάχιο εργασίας. Εάν κόψετε τραβώντας, είναι πιθανό να ανέβει η λεπίδα πάνω από το τεμάχιο εργασίας και να εκσφενδονιστεί ή διάταξη λεπίδας προς τον χειριστή.**

**Ποτέ μην περνάτε το χέρι σας πάνω από την προκαθορισμένη γραμμή κοπής είτε εμπρός είτε πίσω από τη λεπίδα του φάλτσοπρίονου. Είναι πολύ επικίνδυνο να στηρίξετε το τεμάχιο εργασίας «σταυρωτά», δηλαδή να κρατάτε το τεμάχιο εργασίας στα δεξιά της λεπίδας με το αριστερό σας χέρι ή αντίστροφα.**

**Μην απλώνετε το χέρι σας πίσω από το διαχωριστικό προφύλαξης, σε μικρότερη απόσταση από 100 χιλ. από τη λεπίδα του πριονιού, ενόσω αυτή κινείται, προκειμένου να απομακρύνετε πριονίδια ή για οποιονδήποτε άλλο λόγο. Είναι πιθανό να μην αντιληφθείτε πόσο κοντά βρίσκεται η κινούμενη λεπίδα στο χέρι σας και να τραυματιστείτε σοβαρά.**

**Ελέγξτε το τεμάχιο εργασίας πριν την κοπή. Εάν το τεμάχιο εργασίας είναι κυρτωμένο ή παραμορφωμένο, στερεώστε το με σφιγκτήρα με την εξωτερική κυρτωμένη πλευρά του προς το διαχωριστικό προφύλαξης. Πάντοτε να βεβαιώνετε ότι δεν υπάρχουν κενά ανάμεσα στο τεμάχιο εργασίας, το διαχωριστικό προφύλαξης και το τραπέζι κατά μήκος της γραμμής κοπής. Τυχόν λυσιμμένα ή παραμορφωμένα τεμάχια εργασίας μπορεί να περιστραφούν ή να μετακινήθούν και να μαγκώσει η λεπίδα μέσα τους κατά τη διάρκεια της κοπής. Το τεμάχιο εργασίας δεν πρέπει να φέρει καρφιά ή άλλα ξένα αντικείμενα.**

**Πριν τη χρήση του φάλτσοπρίονου, απομακρύνετε από το τραπέζι όλα τα εργαλεία, τα πριονίδια κτλ. και αφήστε μόνο το τεμάχιο εργασίας. Σκουπίδια, χαλαρά κομμάτια ξύλου ή άλλα αντικείμενα μπορεί να εκτοξευτούν με δύναμη εάν έρθουν σε επαφή με την περιστρεφόμενη λεπίδα.**

**Κόβετε μόνο ένα τεμάχιο εργασίας τη φορά. Στοιβαγμένα τεμάχια εργασίας δεν μπορούν να στερεωθούν ή να στηριχτούν σωστά και μπορεί να μαγκώσουν στη λεπίδα ή να μετακινήθούν κατά την κοπή.**

**Πριν από την χρήση, βεβαιωθείτε ότι το φάλτσοπρίονο είναι στερεωμένο ή τοποθετημένο σε επίπεδη και σταθερή επιφάνεια εργασίας. Μια επίπεδη και σταθερή επιφάνεια μειώνει τον κίνδυνο αστάθειας του φάλτσοπρίονου.**

**Σχεδιάστε την εργασία σας. Κάθε φορά που αλλάζετε τη ρύθμιση γωνίας φάλτσοκοπής ή λοδοτομής, να βεβαιώνετε ότι το ρυθμιζόμενο διαχωριστικό προφύλαξης έχει ρυθμιστεί σωστά ώστε να υποστηρίζει το τεμάχιο εργασίας και ότι δεν πρόκειται να παρεμβληθεί στη λεπίδα ή στο σύστημα προστατευτικών. Δίχως να θέσετε το εργαλείο σε λειτουργία (Θέση «ON») και χωρίς τεμάχιο εργασίας στο τραπέζι, μετακινήστε τη λεπίδα, με τον ίδιο τρόπο όπως όταν θέλετε να κάνετε μια κοπή, για να διασφαλίσετε ότι δεν θα υπάρξει καμία παρεμβολή και ότι δεν υπάρχουν κίνδυνοι να κόψετε το διαχωριστικό προφύλαξης.**

**Χρησιμοποιήστε κατάλληλα υποστηρικτικά, όπως προεκτάσεις τραπεζιού, καβαλέτα κ.α., στην περίπτωση που το τεμάχιο εργασίας είναι πλατύτερο ή μακρύτερο από**

**το τραπέζι σας.** Τα τεμάχια εργασίας που είναι μακρύτερα ή πλατύτερα από το τραπέζι του φάλτσοπρίονου ενδέχεται να γείρουν αν δεν στερεωθούν σωστά. Αν το κομμένο κομμάτι ή το τεμάχιο εργασίας γείρει, ενδέχεται να σκιστεί το κάτω προστατευτικό ή να εκσφενδονιστεί από την περιστρεφόμενη λεπίδα.

**Μην χρησιμοποιείτε άλλο άτομο αντί για προέκταση τραπεζιού ή για επιπλέον υποστήριξη. Τυχόν ασταθές υποστήριξη του τεμαχίου εργασίας μπορεί να προκαλέσει μάγκωμα της λεπίδας ή μετακίνηση του τεμαχίου εργασίας κατά τη διαδικασία κοπής και να τραβήξετε εσείς και ο βοηθός σας προς την περιστρεφόμενη λεπίδα.**

**Το κομμένο κομμάτι δεν πρέπει να σφηνώνει ή να πιέζεται με κανέναν τρόπο πάνω στην περιστρεφόμενη λεπίδα. Εάν περιοριστεί, π.χ. με χρήση βιδών, το κομμένο κομμάτι μπορεί να σφηνωθεί πάνω στη λεπίδα και να εκσφενδονιστεί με ορμή.**

**Χρησιμοποιείτε πάντοτε σφιγκτήρες ή κάποια διάταξη κατάλληλη για την υποστήριξη κυλινδρικών αντικειμένων, όπως ράβδους ή σωλήνες. Οι ράβδοι έχουν την τάση να κυλούν ενώ κόβονται, πράγμα που προκαλεί αναπήδηση της λεπίδας και τραβήγματα του αντικειμένου που κρατάτε στη λεπίδα.**

**Αφήστε τη λεπίδα να φτάσει στην τελική της ταχύτητα πριν τη φέρετε σε επαφή με το τεμάχιο εργασίας. Αυτό θα μειώσει τις πιθανότητες εκσφενδονισμού του τεμαχίου εργασίας.**

**Σε περίπτωση εμπλοκής του τεμαχίου εργασίας ή της λεπίδας, απενεργοποιήστε το φάλτσοπρίονο. Περιμένετε να σταματήσουν όλα τα κινούμενα μέρη και αποσυνδέστε το φως από την παροχή ρεύματος ή/και αφαιρέστε τις μπαταρίες από το εργαλείο. Μετά δοκιμάστε να βγάλετε το σφηνωμένο αντικείμενο. Εάν συνεχίσετε την κοπή με σφηνωμένο το τεμάχιο εργασίας, ενδέχεται να χάσετε τον έλεγχο του εργαλείου ή να του προκαλέσετε ζημιά.**

**Αφού τελειώσετε το κόψιμο, αφήστε το διακόπτη, κρατήστε την κεφαλή προς τα κάτω και περιμένετε να σταματήσει να κινείται η λεπίδα, πριν αφαιρέσετε το κομμένο κομμάτι. Είναι επικίνδυνο να πλησιάσετε το χέρι σας κοντά στην περιστρεφόμενη λεπίδα.**

**Κρατήστε καλά τη λαβή όταν εκτελείτε μη πλήρη κοπή ή όταν αφήνετε το διακόπτη ενώ η κεφαλή του πριονιού δεν βρίσκεται στην κατάλληλη θέση. Η απότομη διακοπή λειτουργίας του πριονιού μπορεί να ωθήσει απότομα την κεφαλή του πριονιού προς τα κάτω με κίνδυνο τραυματισμού.**

## ΟΔΗΓΙΕΣ ΑΣΦΑΛΕΙΑΣ ΓΙΑ ΛΕΠΙΔΑ ΚΟΠΗΣ ΞΥΛΟΥ

Παρακαλείστε να διαβάσετε καλά το εγχειρίδιο χρήσης και τις οδηγίες πριν χρησιμοποιήσετε τη λεπίδα του πριονιού και το εργαλείο.

Το εργαλείο πρέπει να είναι σε καλή κατάσταση και ο άξονας χωρίς παραμόρφωση και κραδασμούς.

Μην χρησιμοποιείτε τη συσκευή χωρίς να είναι τα προστατευτικά στη θέση τους. Διατηρήστε τα προστατευτικά σε καλή κατάσταση λειτουργίας και συντηρήστε τα σωστά.

Βεβαιωθείτε ότι ο χειριστής είναι επαρκώς ενημερωμένος αναφορικά με τις προφυλάξεις ασφάλειας, τη ρύθμιση και τη λειτουργία του εργαλείου.

Φοράτε πάντοτε προστατευτικά γυαλιά και προστατευτικά ακούς κατά τη χρήση του εργαλείου. Συνιστάται να φοράτε γάντια, ανθεκτικά, αντιολισθητικά παπούτσια και ποδιά.

Πριν από τη χρήση οποιονδήποτε βοηθητικού εξαρτήματος, συμβουλευτείτε το εγχειρίδιο οδηγιών. Η ακατάλληλη χρήση ενός βοηθητικού εξαρτήματος μπορεί να προκαλέσει ζημιά και να αυξήσει την πιθανότητα τραυματισμού.

Χρησιμοποιείτε μόνο λεπίδες οι οποίες αναφέρονται στο παρόν εγχειρίδιο και συμμορφώνονται με το πρότυπο EN 847-1.

Τηρείτε τη μέγιστη ταχύτητα που αναγράφεται στη λεπίδα του πριονιού. Βεβαιωθείτε ότι η ταχύτητα που αναγράφεται στη λεπίδα του πριονιού είναι τουλάχιστον ίση με την ταχύτητα που αναγράφεται στο πριόνι.

Χρησιμοποιείτε πάντα λεπίδες με το σωστό μέγεθος και σχήμα των οπών του άξονα. Οι λεπίδες που δεν αντιστοιχούν στον εξοπλισμό στερέωσης του πριονιού θα λειτουργούν εκτός κέντρου, προκαλώντας απώλεια ελέγχου.

EN
DE
FR
IT
ES
PT
NL
DA
NO
SV
FI
EL
TR
CS
SK
PL
HU
SL
HR
LV
LT
ET
RU
BG
RO
MK
UK
AR





Μην χρησιμοποιείτε λεπίδες με μεγαλύτερη ή μικρότερη διάμετρο από τη συνιστώμενη. Μην χρησιμοποιείτε αποστάτες για να προσαρμόσετε τη λεπίδα στον άξονα.

Ελέγχετε τις άκρες της λεπίδας του πριονιού για ζημιές ή μη φυσιολογική εμφάνιση πριν από κάθε χρήση. Άκρες που παρουσιάζουν ζημιές ή είναι χαλαρές μπορεί να εκτοξευθούν κατά τη χρήση και να αυξήσουν την πιθανότητα προσωπικού τραυματισμού.

Μην χρησιμοποιείτε ραγισμένες ή παραμορφωμένες λεπίδες πριονιού. Μην χρησιμοποιείτε λεπίδες πριονιού που έχουν υποστεί ζημιά ή έχουν παραμορφωθεί.

Απορρίψτε την λεπίδα πριονιού εάν έχει υποστεί ζημιά, είναι παραμορφωμένη, στρεβλωμένη ή ραγισμένη. Δεν επιτρέπεται η επισκευή της.

Μην χρησιμοποιείτε λεπίδες HSS.

Βεβαιωθείτε ότι η λεπίδα του πριονιού είναι στερεωμένη σωστά, σφίξτε καλά το παξιμάδι άξονα πριν από τη χρήση (ροπή σύσφιξης περίπου 12-15 Nm).

Η βίδα στερέωσης και τα παξιμάδια θα πρέπει να στερεώνονται με το κατάλληλο κλειδί.

Δεν επιτρέπεται η χρήση προέκτασης του κλειδιού ή η σύσφιξη με χτυπήματα με σφυρί.

Βεβαιωθείτε ότι η λεπίδα και οι φλάντζες είναι καθαρές και ότι οι εσοχές του κολλάρου εφάπτονται στη λεπίδα.

Βεβαιωθείτε ότι η λεπίδα περιστρέφεται προς τη σωστή κατεύθυνση.

Πριν από την εργασία, κάντε μια εικονική τομή χωρίς ενεργό τον κινητήρα, ώστε να μπορεί να ελεγχθεί η θέση της λεπίδας, η λειτουργία των προστατευτικών σε σχέση με άλλα εξαρτήματα του μηχανήματος και το τεμάχιο εργασίας.

Ποτέ μην αφήνετε το εργαλείο χωρίς επίβλεψη.

Μην εφαρμόζετε λιπαντικά στη λεπίδα όταν αυτή λειτουργεί.

Ποτέ μην εκτελείτε εργασίες καθαρισμού ή συντήρησης όταν το μηχανήμα εξακολουθεί να λειτουργεί και η κεφαλή δεν βρίσκεται στη θέση ηρεμίας.

Ποτέ μην επιχειρείτε να σταματήσετε ένα μηχανήμα που βρίσκεται σε ταχεία κίνηση, σφηνώνοντας ένα εργαλείο ή άλλο μέσο κόντρα στη λεπίδα, καθώς με αυτόν τον τρόπο μπορεί να προκληθούν σοβαρά ατυχήματα κατά λάθος.

Αποσυνδέετε το προϊόν από το ρεύμα ή αφαιρείτε τη μπαταρία, πριν από την αντικατάσταση λεπίδων ή τη συντήρηση.

Προσέξτε τη συσκευασία και την αποσκευασία των λεπίδων, είναι εύκολο να τραυματιστείτε από τις αιχμηρές άκρες της λεπίδας.

Χρησιμοποιείτε συγκρατητή λεπίδων ή φοράτε γάντια κατά τον χειρισμό της λεπίδας πριονιού.

Φυλάξτε και αποθηκεύστε τη λεπίδα στην αρχική ή σε άλλη κατάλληλη συσκευασία, φυλάξτε την σε συνθήκες χωρίς υγρασία και μακριά από χημικά που μπορεί να καταστρέψουν τη λεπίδα.

## ΠΡΟΣΘΕΤΕΣ ΟΔΗΓΙΕΣ ΑΣΦΑΛΕΙΑΣ ΚΑΙ ΕΡΓΑΣΙΑΣ

Σφίγνετε πάντα το τεμάχιο εργασίας με ασφάλεια και σταθερότητα.

Πάντα να βεβαιώνετε ότι το μηχανήμα είναι σταθερό και στερεωμένο (π.χ. σε πάγκο).

Φοράτε πάντα προστατευτικά ακοής. Η έκθεση σε θόρυβο μπορεί να προκαλέσει απώλεια ακοής.

Φοράτε πάντοτε προστατευτικά γυαλιά κατά τη χρήση του εργαλείου. Συνιστάται να φοράτε γάντια για τον χειρισμό των λεπίδων και των τραχιών υλικών, καθώς και ανθεκτικά, αντολισθητικά παπούτσια για την προστασία των ποδιών από τα τεμάχια εργασίας που μπορεί να πέσουν από την περιοχή κοπής.

Αποσυνδέετε το εργαλείο από την πρίζα ή αφαιρείτε τη μπαταρία, πριν από τη συντήρηση ή τον καθαρισμό του.

Συνδέστε το προϊόν στην κεντρική παροχή ρεύματος μόνο όταν είναι απενεργοποιημένο.

Κρατήστε το καλώδιο κεντρικής παροχής ρεύματος μακριά από την περιοχή λειτουργίας του προϊόντος. Κρατήστε το μακριά από την περιοχή στην οποία στέκεται ο χειριστής.

Ποτέ μην απλώνετε το χέρι σας στην περιοχή κοντά στη λεπίδα, εκτός εάν η λεπίδα έχει σταματήσει εντελώς.

Πριν από τη χρήση, ελέγχετε διεξοδικά το προϊόν, το καλώδιο και το φις για τυχόν ζημιά ή κόπωση υλικού. Επισκευές σε ολόκληρο

το προϊόν, συμπεριλαμβανομένου του καλωδίου ρεύματος, θα πρέπει να εκτελούνται μόνο από εξουσιοδοτημένο κέντρο σέρβις.

Χρησιμοποιείτε πάντα τα προστατευτικά του προϊόντος. Μην χρησιμοποιείτε το εργαλείο εάν τα προστατευτικά δεν είναι στη θέση τους και δεν λειτουργούν καλά.

Το προστατευτικό της κάτω λεπίδας θα πρέπει να ανοίγει μόνο όταν η λεπίδα έχει φτάσει στο τεμάχιο εργασίας, να μπορεί να κινείται ελεύθερα και να κλείνει αυτόματα.

Πάντοτε στερεώνετε και χρησιμοποιείτε τις ράβδους προέκτασης για την υποστήριξη του τεμαχίου εργασίας κατά την κοπή.

Ποτέ μην αλλοιώνετε ή τροποποιείτε το προϊόν ή τη λειτουργία του. Η ασφάλειά σας μπορεί να τεθεί σε κίνδυνο.

Μην χρησιμοποιείτε λεπίδες πριονιού που είναι ραγισμένες, έχουν υποστεί ζημιά ή έχουν παραμορφωθεί.

Μην χρησιμοποιείτε λεπίδες πριονιού από χάλυβα υψηλής ταχύτητας.

Χρησιμοποιείτε μόνο αιχμηρές λεπίδες. Αντικαθιστάτε τις στομαυμένες λεπίδες.

Χρησιμοποιείτε πάντα λεπίδες με το σωστό μέγεθος και σχήμα των οπών του άξονα. Οι λεπίδες που δεν αντιστοιχούν στον εξοπλισμό στερέωσης του πριονιού θα λειτουργούν εκτός κέντρου, προκαλώντας απώλεια ελέγχου.

Χρησιμοποιείτε μόνο λεπίδες ξυλουργικής οι οποίες αναφέρονται στο παρόν εγχειρίδιο και συμμορφώνονται με το πρότυπο EN 847-1.

Μην χρησιμοποιείτε φλάντζες, ροδέλες και παξιμάδια για τη στερέωση της λεπίδας του πριονιού εκτός από αυτά που παρέχονται ή υποδεικνύονται στο εγχειρίδιο οδηγιών.

Είναι απαραίτητο να επιλέξετε λεπίδα πριονιού κατάλληλη για το υλικό που κόβεται. Ποτέ μην χρησιμοποιείτε το εργαλείο για την κοπή υλικών άλλων από αυτά που καθορίζονται στην ενότητα προτεινόμενης χρήσης στο παρόν εγχειρίδιο.

Είναι σημαντικό κατά τη διαδικασία κοπής να αποφεύγεται η υπερθέρμανση της λεπίδας και το λιώσιμο των πλαστικών.

Είναι σημαντικό να τηρείται η μέγιστη ταχύτητα που αναφέρεται στη λεπίδα του πριονιού. Χρησιμοποιείτε μόνο λεπίδες με ένδειξη ταχύτητας ίσης ή μεγαλύτερης από αυτή που αναγράφεται στο εργαλείο.

Αντικαταστήστε το επιτραπέζιο ένθετο όταν φθαρεί ή καταστραφεί.

Πριν από την εργασία, κάντε μια εικονική τομή χωρίς ενεργό τον κινητήρα, ώστε να μπορεί να ελεγχθεί η θέση της λεπίδας, η λειτουργία των προστατευτικών σε σχέση με άλλα εξαρτήματα του μηχανήματος και το τεμάχιο εργασίας.

Κατά την εκτέλεση λοξοτομής, φάλτσωσης ή μικτής λοξοτομής, ρυθμίστε το σύρσιμο διαχωριστικό προφύλαξης ή δευτερεύον διαχωριστικό προφύλαξης ώστε να διασφαλιστεί ότι έχει τη σωστή απόσταση από τη λεπίδα.

Αποφύγετε τυχόν μη ελεγχόμενη μετακίνηση του πριονιού από την εντελώς κάτω θέση.

Η ασφάλιση της λαβής πρέπει να είναι πάντα κλειστή κατά τη μεταφορά του εργαλείου.

Το προϊόν πρέπει να αποθηκεύεται στη γωνία μηδενικής γωνίας φάλτσου και λοξοτομής και να ασφαλιστεί στη θέση του. Η λαβή πρέπει να είναι κλειδωμένη στην κάτω (ασφαλή) θέση με τα προστατευτικά κλειστά.

Κατά τη μεταφορά σε όχημα, τοποθετήστε το προϊόν στη βάση του και ασφαλίστε το έναντι της κίνησης.

Ανασηκώνετε το προϊόν μόνο από τις λαβές που παρέχονται για τον σκοπό αυτό. Χρησιμοποιείτε πάντα δύο χέρια για να ανασηκώνετε το προϊόν.

Διατηρείτε την περιοχή του δαπέδου καθαρή από σκόρπια υλικά, όπως ροκανίδια και υπόλοιπα κοπής.

Αποφεύγετε να αφαιρείτε τυχόν υπόλοιπα κοπής ή άλλα μέρη του τεμαχίου εργασίας από την περιοχή κοπής ενώ το προϊόν λειτουργεί και η κεφαλή του πριονιού δεν βρίσκεται στη θέση ηρεμίας.

Τα μακριά τεμάχια εργασίας θα πρέπει να υποστηρίζονται επαρκώς. Η περιοχή εργασίας του πριονιού περιλαμβάνει όλο το μήκος του τεμαχίου εργασίας. Ο χειριστής θα πρέπει να διασφαλίσει την περιοχή αυτή από τυχόν επαφή με άλλα άτομα ή αντικείμενα που ενδέχεται να μετακινήσουν το τεμάχιο εργασίας κατά τη διάρκεια της εργασίας.





Η σκόνη που παράγεται κατά τη χρήση του μηχανήματος μπορεί να είναι επιβλαβής για την υγεία. Χρησιμοποιήστε σύστημα αναρρόφησης σκόνης και φορέστε κατάλληλη μάσκα προστασίας από τη σκόνη. Αφαιρέστε καλά την εννοποθετημένη σκόνη με ηλεκτρική σκούπα.

Μπορεί να χρειαστεί να ρυθμίσετε το συρόμενο διαχωριστικό προφύλαξης ώστε να διασφαλίσετε τη σωστή απόσταση πριν την εκτέλεση λοξοτομής ή μικτής λοξοτομής. Βεβαιωθείτε ότι η βίδα ασφάλισης του συρόμενου διαχωριστικού προφύλαξης έχει σφίξει καλά μετά τη ρύθμιση.

Ο σφικκτήρας μπορεί να τοποθετηθεί και να χρησιμοποιηθεί σε οποιαδήποτε από τις δύο πλευρές της λεπίδας. Σε κάποιες εργασίες ο σφικκτήρας μπορεί να παρεμβάλλεται στη διάταξη του προστατευτικού λεπίδας. Πάντα να βεβαιώνεστε ότι δεν παρεμβάλλεται οτιδήποτε στο προστατευτικό λεπίδας πριν την έναρξη οποιασδήποτε λειτουργίας κοπής, έτσι ώστε να μειώνεται ο κίνδυνος σοβαρού προσωπικού τραυματισμού.

**⚠️ ΠΡΟΕΙΔΟΠΟΙΗΣΗ!** Όταν εκτελείτε φάλτοσκοπή 70°, επιτρέπεται μόνο γωνία λοξοτομής 0°.

Οι περιστρεφόμενες προεκτάσεις τραπέζιου μπορούν να ρυθμιστούν σε μία από τις τρεις θέσεις, ανάλογα με τον επιθυμητό τύπο κοπής.

Μην τοποθετείτε τις προεκτάσεις τραπέζιου στις μη ασφαλισμένες θέσεις. Τοποθετήστε μόνο σε μία από τις τρεις ασφαλισμένες θέσεις.

Χρησιμοποιήστε τις περιστρεφόμενες προεκτάσεις τραπέζιου όταν πραγματοποιείτε φάλτοσκοπές σε γωνία μεγαλύτερη από 45°.

Μην αντικαθιστάτε τη λυχνία LED με διαφορετικό τύπο. Όλες οι επισκευές θα πρέπει να πραγματοποιούνται από τον κατασκευαστή ή από εξουσιοδοτημένο πάροχο σέρβις.

Κατά τη χρήση του προϊόντος σε εξωτερικούς χώρους, ο κατασκευαστής συνιστά τη χρήση μιας συσκευής προστασίας υπολειπόμενου ρεύματος (RCD) με ενεργοποίηση στα 30 mA.

Κατά τη χρήση του προϊόντος, οι διακρίσεις της τάσης ενδέχεται να επηρεάσουν άλλα ηλεκτρικά προϊόντα ή τον φωτισμό στο ίδιο κύκλωμα τροφοδοσίας. Συνδέστε το εργαλείο σε πηγή ρεύματος με σύνθετη αντίσταση ίση με 0,299 Ω για να ελαχιστοποιήσετε τις διακυμάνσεις της τάσης. Επικοινωνήστε με τον προμηθευτή ηλεκτρικής ενέργειας για περαιτέρω διευκρινίσεις.

## ΓΝΩΡΙΣΤΕ ΤΟ ΕΡΓΑΛΕΙΟ ΣΑΣ

Βλέπε σελίδα 2-3.

1. Λαβή, μονωμένη επιφάνεια λαβής
2. Διακόπτης λειτουργίας
3. Μοχλός κλειδώματος διακόπτη
4. Διακόπτης λυχνίας LED
5. Πάνω προφυλακτικό
6. Βούρτσα με άνθρακα
7. Κουμπί κλειδώματος άξονα
8. Πείρος ασφάλισης κεφαλής
9. Κάτω προστατευτικό
10. Συρόμενο διαχωριστικό προφύλαξης
11. Σταθερό διαχωριστικό προφύλαξης
12. Περιστρεφόμενη προέκταση τραπέζιου
13. Κουμπί κλειδώματος τραπέζιου
14. Κουμπί παράκαμψης συγκράτησης φάλτου
15. Μοχλός ασφάλισης φάλτου
16. Οπή στερέωσης
17. Βίδα ρύθμισης βάθους κοπής
18. Παξιμάδι ασφάλισης βάθους κοπής
19. Πλάκα τερματισμού βάθους κοπής
20. Λαβή μεταφοράς
21. Εξαγωνικό κλειδί
22. Κουμπί ασφάλισης γωνίας λοξοτομής
23. Κλίμακα λοξοτομής
24. Περιστρεφόμενη πλατφόρμα
25. Βίδες για το κλειδίωμα της κλίμακας μίτρας
26. Σάκος σκόνης
27. Μοχλός ορίου ράβδου ολίσθησης
28. Κουμπί ασφάλισης ράβδου ολίσθησης
29. Μοχλός συγκράτησης λοξοτομής
30. Σφικκτήρας
31. Κλίμακα φάλτου
32. Φως LED
33. Εξωτερική φλάντζα
34. Λεπίδα πριονιού

## 35. Πλάκα εγκοπής

### ΚΑΤΑΛΟΓΟΣ ΑΝΤΑΛΛΑΚΤΙΚΩΝ

- PS254DBE: Πριόνι φάλτου EN 847-1/ ø254 x ø30 x 2,6 / 48T / HW / η μέγ. 7400 min-1 (Σελίδα 3, Αρ. 34)
- Πλάκα εγκοπής (Σελίδα 3, Αρ. 35)
- Βούρτσα με άνθρακα (Σελίδα 2, Αρ 6)

### ΣΥΝΤΗΡΗΣΗ

Μην τροποποιείτε το προϊόν καθ' οποιονδήποτε τρόπο και μην χρησιμοποιείτε εξαρτήματα που δεν έχουν εγκριθεί από τον κατασκευαστή. Η ασφάλειά σας και η ασφάλεια άλλων ατόμων μπορεί να τεθεί σε κίνδυνο.

Μην χρησιμοποιείτε το προϊόν εάν οποιοδήποτε διακόπτες, προστατευτικά ή άλλες λειτουργίες δεν λειτουργούν όπως προβλέπεται. Παραδώστε για επισκευή ή αντικατάσταση από επαγγελματίες σε εξουσιοδοτημένο κέντρο σέρβις.

Μην κάνετε καμία ρύθμιση ενώ η λεπίδα του πριονιού βρίσκεται σε κίνηση.

Πάντοτε να βεβαιώνεστε ότι το προϊόν έχει αποσυνδεθεί από την κεντρική παροχή ρεύματος πριν εκτελεστούν ρυθμίσεις, λίπανση ή οποιαδήποτε συντήρηση του προϊόντος.

Πριν και μετά από κάθε χρήση, ελέγχετε το προϊόν για ζημιές ή σπασμένα μέρη. Διατηρείτε το προϊόν σε άριστη λειτουργική κατάσταση αντικαθιστώντας αμέσως τα εξαρτήματα με ανταλλακτικά εγκεκριμένα από τον κατασκευαστή.

Η λεπίδα έχει αιχμηρές άκρες και μπορεί να κείει για αρκετό χρόνο μετά την εκτέλεση κοπτικών εργασιών. Επιδείξει ιδιαίτερη προσοχή κατά τον καθαρισμό γυμνών λεπίδων. Χρησιμοποιείτε γάντια προς αποφυγή τραυματισμών.

Καθαρίζετε το πριόνι και τα εξαρτήματά του τακτικά από τη σκόνη, ειδικότερα τα κινούμενα μέρη και το προστατευτικό λεπίδας. Χρησιμοποιείτε βούρτσα χερσών ή ηλεκτρική σκούπα για την αποτελεσματική απομάκρυνση της σκόνης. Μην χρησιμοποιείτε πεπιεσμένο αέρα.

Αποφύγετε τη χρήση διαλυτικών κατά τον καθαρισμό πλαστικών τμημάτων. Τα περισσότερα πλαστικά είναι ευαίσθητα σε διάφορους τύπους εμπορικών διαλυτικών και μπορεί να καταστραφούν από τη χρήση τους. Χρησιμοποιείτε καθαρά πανιά για την αφαίρεση ρύπων, σκόνης άνθρακα κτλ.

Χρησιμοποιείτε αποκλειστικά εξαρτήματα και ανταλλακτικά AEG. Σε περίπτωση ανάγκης αντικατάστασης εξαρτημάτων που δεν έχουν περιγραφεί, επικοινωνήστε με κάποιον από τους παρόχους σέρβις της AEG (βλ. τη λίστα των διευθύνσεων εγγύησης/ σέρβις).

Αν χρειαστεί, μπορεί να παραγγελθεί ένα σχηματικό διάγραμμα του εργαλείου. Αναφέρετε τον τύπο προϊόντος και τον σειριακό αριθμό που αναγράφεται στην επικέτα και παραγγείλετε το διάγραμμα στον τοπικό αντιπρόσωπο σέρβις ή απευθείας στη διεύθυνση: Techtronic Industries GmbH, Max-Eyth-Strasse 10, 71364 Winnenden, Germany.

### ΣΥΜΒΟΛΑ

	Διαβάστε προσεκτικά τις οδηγίες πριν χρησιμοποιήσετε το προϊόν.
	ΠΡΟΣΟΧΗ! ΠΡΟΕΙΔΟΠΟΙΗΣΗ! ΚΙΝΔΥΝΟΣ!
	Αποσυνδέστε το φις από την πρίζα πριν εκτελέσετε οποιαδήποτε εργασία στο προϊόν.
	Εργαλείο κατηγορίας II, διπλή μόνωση
	Φοράτε προστατευτικά ματιών.



EN

DE

FR

IT

ES

PT

NL

DA

NO

SV

FI

EL

TR

CS

SK

PL

HU

SL

HR

LV

LT

ET

RU

BG

RO



MK






UK

AR

!



	Φοράτε προστατευτικά ακοής.
	Μην εκθέτετε σε βροχή και μην χρησιμοποιείτε σε χώρους με υγρασία.
	Φοράτε γάντια ασφαλείας.
	Κρατάτε τα χέρια σας μακριά από την περιοχή κοπής και την αιχμηρή λεπίδα.
	ΠΡΟΣΟΧΗ! Μην εστιάζετε οπτικά στη λυχνία κατά τη λειτουργία της.
	Κατεύθυνση περιστροφής λεπίδας
	
	Δόντια λεπίδας
	Πλάτος κοπής
	Οπή άξονα και μέγεθος λεπίδας
	Μόνο για κοπή ξύλου
	Ρυθμίστε τη θέση του συρόμενου διαχωριστικού προφύλαξης πριν την εκτέλεση λοξοτομής ή μικτής λοξοτομής.
	<p>Ο ηλεκτρονικός και ηλεκτρικός εξοπλισμός δεν πρέπει να απορρίπτονται στα αδιαχώριστα απορρίμματα της κοινότητας. Ο ηλεκτρονικός και ηλεκτρικός εξοπλισμός προς απόρριψη θα πρέπει να συλλέγονται χωριστά.</p> <p>Οι πηγές φωτός προς απόρριψη θα πρέπει να αφαιρούνται από τον εξοπλισμό.</p> <p>Επικοινωνήστε με την τοπική σας αρχή ή τον προμηθευτή σας για συμβουλές ανακύκλωσης και σημείο συλλογής.</p> <p>Σύμφωνα με τους τοπικούς κανονισμούς, οι προμηθευτές ενδέχεται να υποχρεούνται να παραλαμβάνουν τα απόβλητα ηλεκτρικού και ηλεκτρονικού εξοπλισμού χωρίς χρέωση.</p> <p>Η συμβολή σας στην επαναχρησιμοποίηση και την ανακύκλωση ηλεκτρονικού και ηλεκτρικού εξοπλισμού προς απόρριψη βοηθά στη μείωση της ζήτησης πρώτων υλών.</p> <p>Ο άχρηστος ηλεκτρονικός και ηλεκτρικός εξοπλισμός περιέχει πολύτιμα ανακυκλώσιμα υλικά, τα οποία μπορεί να βλάψουν τόσο το περιβάλλον, όσο και την ανθρώπινη υγεία, εάν δεν απορρίπτονται με τρόπο φιλικό προς το περιβάλλον.</p> <p>Διαγράψτε τυχόν προσωπικά δεδομένα από τον εξοπλισμό.</p>

	Βλτ
	Εναλλασσόμενο ρεύμα
	Ευρωπαϊκό σήμα συμμόρφωσης
	Ουκρανικό σήμα συμμόρφωσης
	ΕυAsian σήμα πιστότητας

## TR ORIJINAL TALIMATLARIN ÇEVIRILERI

### KULLANIM ŞARTLARI

Gönye testere, ahşap veya plastik kaplamalı ve kaplamasız masif ve üretilmiş ahşap ve ahşap benzeri malzemeleri kesmek için kullanılır.

Gönye testere yalnızca talimat kılavuzunu okuyup, risk ve tehlikeleri anlayan yetişkin kullanıcılar tarafından kullanılmalıdır.

Gönye testere, kaidesi sağlam bir tezgah üzerine sabitlenecek şekilde tasarlanmıştır. Tabanı iyice tespit edilmezse, tüm makine kesme işlemleri sırasında hareket ederek ciddi bedensel yaralanma riskini artırabilir.

Gönye testere eğimli ve şev kesimler yapmak için tasarlanmıştır. Çeşitli kesimler için kapasiteler bu kılavuzun ürün özellikleri bölümünde verilmektedir.

Gönye testere kuru ortamlarda, mükemmel ortam aydınlatması ve uygun havalandırma koşullarında kullanılmalıdır.

Gönye testere tüketici kullanımı içindir ve yalnızca yukarıda açıklandığı şekilde kullanılmalıdır ve başka bir amaçla kullanılmamalıdır.

Bu ürünü belirtilen kullanım amacı dışında herhangi bir amaçla kullanmayın.

**⚠ UYARI!** Bu elektrikli aletle birlikte sağlanan bütün güvenlik uyarı ve talimatlarını, çizim ve teknik özellikleri okuyun. Aşağıda belirtilen talimatlara uyulmaması, yangın, elektrik çarpması ve/veya ciddi bedensel yaralanmalar gibi kazalara sebep olabilir.

**İleride başvurmak üzere tüm uyarıları ve talimatları saklayın.**

### GÖNYE TESTERELER İÇİN GÜVENLİK TALİMATLARI

Gönye testere, ahşap ve ahşap benzeri ürünleri kesmeye yöneliktir, çubuklar, parmaklıklar, çiviler vs. gibi demir içeren materyalleri kesmek için aşındırıcı kesme tekerleriyle kullanılamaz. Aşındırıcı toz alt muhafaza gibi hareketli parçaların tıkanmasına yol açabilir. Aşındırıcı kesmenin oluşturduğu kivilcimlar alt muhafazayı, kertik bölgesini ve diğer plastik parçaları yakar.

Mümkün olduğunda, işlenecek parçayı desteklemek için kelepçe kullanın. İş parçasını elle destekliyorsanız, elinizi her zaman testere bıçağının her iki tarafından da 100 mm uzakta tutmalısınız. Güvenli bir şekilde mengenelenmek veya elde tutulmak için çok küçük olan parçaları kesmek için bu testereyi kullanmayın. Elleriniz testere bıçağına çok yakınsa bıçağı temasa bağlı yaralanma riski artar.

İş parçası sabit ve mengenelenmiş olmalıdır veya hem perdeye hem tablaya yaslanmış olmalıdır. Hiçbir şekilde iş parçasını bıçağına "serbest elle" beslemeyin veya kesmeyin. Sabitlenmemiş veya hareketli iş parçaları yüksek hızda fırlayarak yaralanmaya neden olabilir.

Testereyi iş parçası boyunca itin. Testereyi iş parçası boyunca çekmeyin. Kesim yapmak için testere başını kaldırın ve kesmeden iş parçasının üzerine kaldırın, motoru başlatın, testere başını aşağı indirin ve testereyi iş parçası boyunca ittirin. Çekme hareketiyle kesmek testere bıçağının iş parçasının





üstüne çıkmasına ve bıçak grubunu sert bir şekilde operatöre doğru fırlatmasına neden olabilir.

**Testere bıçağının önünde veya arkasında elinizi asla belirlenen kesme çizgisinin ötesine geçirmeyin.** İş parçasını "çapraz elle" desteklemek, ör. iş parçasını sol elinizle testerenin sağından veya sağ elinizle soldan tutmak çok tehlikelidir.

**Bıçak dönerken, ahsap talaşlarını temizlemek veya başka herhangi bir nedenle elinizi, perdenin arkasından bıçağın sağına soluna 100 mm'den fazla yaklaştırmayın.** Dönen testere bıçağının elinize yakınlığı açıkça görülmeyebilir ve ciddi bir şekilde yaralanabilirsiniz.

**Kesmeden önce iş parçanızı inceleyin. İş parçası bükülmüş veya eğilmişse, eğri tarafının dışı perdeye dönük olacak şekilde mengineleyin. Kesme çizgisi boyunca iş parçası, perde ve tabla arasında hiçbir boşluk olmadığının emin olun.** Bükülmüş veya eğilmiş iş parçaları dönelbilir veya hareket edebilir veya keserken dönen testere bıçağının takılmasına neden olabilir. İş parçasında çivi veya yabancı madde olmamalıdır.

**Tabla iş parçası dışındaki aletlerden, ahsap talaşlarından vs. kesilenlere kadar testereyi kullanmayın.** Küçük talaşlar veya ahsap parçaları veya başka nesnelere dönen bıçağa temas ettiğinde yüksek hızla fırlatılabilir.

**Her seferinde yalnızca bir iş parçası kesin.** İstif edilmiş birden fazla iş parçası yeterli şekilde menginelemeyiz veya desteklenemez veya bıçağa takılabilir veya kesim sırasında hareket edebilir.

**Kullanmadan önce gönye testerenin düz, sert bir iş yüzeyine monte edildiğinden veya yerleştirildiğinden emin olun.** Düz ve sert bir çalışma yüzeyi gönye testerenin hareket etme riskini azaltır.

**İşinizi planlayın. Eğim veya şev açısı ayarını her değiştirdiğinizde ayarlanabilir perdenin iş parçasını desteklemek için düzgün yerleştirildiğinden ve bıçakla ya da muhafaza sistemiyle temas etmediğinden emin olun.** Aleti "AÇIK" konuma getirmeden önce ve tabla üzerinde herhangi bir iş parçası yokken, testere bıçağını kesim yapıyormuş gibi hareket ettirerek perdeye temas etmediğinden veya perdeyi kesme tehlikesi olmadığından emin olun.

**Tabla tezgahından daha uzun veya geniş bir iş parçası için tabla uzantısı, testere tezgahı vb. ile yeterli desteği sağlayın.** Gönye testere tablasından daha uzun ve geniş iş parçalarını güvenli bir şekilde desteklenmezse devrilebilir. Kesilen parça veya iş parçası devrilsen, alt muhafazayı kaldırabilir veya dönen bıçak tarafından fırlatılabilir.

**Bir tabla uzantısı için veya ek destek olarak başka bir insanı kullanmayın.** İş parçası için sabit olmayan destek bıçağın takılmasına ve iş parçasının kesme işlemi sırasında kayarak sizi ve yardımcınızı dönen bıçağa doğru çekmesine neden olabilir.

**Kesilmiş parça herhangi bir şekilde dönen testere bıçağına sıkıştırılmamalı veya bastırılmamalıdır.** Ör. uzunluk durdurma çubukları kullanılarak tutulursa, kesilen parça bıçağa sıkışarak sert bir şekilde fırlayabilir.

**Mil ve silindir gibi yuvarlak materyaller için bunları uygun bir şekilde destekleyecek şekilde tasarlanmış bir mengine veya bağlantı düzeneği kullanın.** Miller kesilirken dönme eğilimi vardır, bu da bıçağın "kapmasına" ve elinizi işle birlikte bıçağa doğru çekmesine neden olur.

**İş parçasına temas etmeden önce bıçağın tam hıza erişmesine izin verin.** Bu iş parçasının fırlatılma riskini azaltır.

**İş parçası veya bıçak tikanırsa, gönye testereyi kapatın.** Tüm hareketli parçaların durmasını bekleyin, fişi elektrik kaynağından çekin ve/veya batarya paketini sökün. **Sonra tikanan materyali çıkarmak için çalışın.** Sıkışmış bir iş parçasıyla kesmeye devam etmek kontrolün kaybedilmesine veya gönye testerenin zarar görmesine neden olabilir.

**Kesim işlemi bittikten sonra düğmeyi bırakın, testere başını aşağıda tutun ve kesilen parçayı çıkarmadan önce bıçağın durmasını bekleyin.** Hareketli bıçağın yanına elinizle uzanmak tehlikelidir.

**Tam olmayan bir kesim yaparken veya testere başı tamamen aşağı pozisyona geçmeden önce düğmeyi bırakırken tutamağı iyice kavrayın.** Testerenin durdurulması testere başının aniden aşağı doğru çekilmesine neden olarak yaralanma riskine yol açabilir.

## AHŞAP KESME BİÇAĞI İÇİN GÜVENLİK TALİMATLARI

Lütfen testere bıçağını ve makineyi kullanmadan önce kılavuzu ve talimatları dikkatli bir şekilde okuyun.

Ürün iyi durumda olmalı, milde hasar ve titreşim olmamalıdır.

Muhafazalar yerinde değilken ürünü kullanmayın. Muhafazaları iyi ve çalısır durumda ve gerektiği gibi bakımı yapılmış halde tutun.

Operatörün ürünün emniyet önlemleri, ayarlanması ve çalıştırılması konusunda yeterli eğitime sahip olduğundan emin olun.

Ürünü kullanırken her zaman koruyucu gözlük ve koruyucu kulaklık takın. Eldiven kullanılması, kaymayan sağlam bir ayakkabı ve önlük giyilmesi tavsiye edilir.

Herhangi bir aksesuarı kullanmadan önce kullanım kılavuzuna bakın. Bir aksesuarın yanlış kullanımı hasara yol açabilir ve yaralanma olasılığını artırabilir. Yalnızca bu kılavuzda belirtilen EN 847-1 ile uyumlu bıçakları kullanın.

Testere bıçağı üzerinde işaretli azami hıza uyun. Testere bıçağı üzerinde işaretli hızın testere üzerinde işaretli hıza en azından eşit olduğundan emin olun.

Daima malafa delikleri doğru boyutta ve şekilde olan bıçaklar kullanın. Testerenin montaj donanımına uygun olmayan bıçaklar eksantrik olarak çalışarak kontrolün kaybedilmesine neden olur. Tavsiye edilenden daha büyük veya daha küçük çaplı bıçaklar kullanmayın. Bıçağı mile oturtmak için herhangi bir ara parçası kullanmayın.

Her kullanımdan önce testere bıçağının uçlarında hasar veya anormal bir görünüm olup olmadığını kontrol edin. Hasarlı veya gevşek uçlar, kullanım sırasında uçan nesnelere dönüşebilir ve kişisel yaralanma olasılığını artırabilir.

Çatlak veya bozuk testere bıçaklarını kullanmayın. Hasar görmüş ya da deforme olmuş testere bıçaklarını kullanmayın.

Hasarlı, deforme olmuş, şekli bozulmuş veya çatlakmış testere bıçaklarını hurdaya çıkarın. Tamir etmeye izin verilmez.

HSS bıçakları kullanmayın.

Testere bıçağının doğru monte edildiğinden emin olun, kullanmadan önce mil somununun güvenli bir şekilde sıkın (sıkma torku yaklaşık 12 Nm).

Sabitleme vidası ve somunları uygun anahtar vb. kullanılarak sıkılmalıdır.

Anahtarın uzatılmasına veya çekiç darbeleriyle sıkılmaya izin verilmez.

Bıçağın ve flanşların temiz olduğundan ve bileziğin girintili kenarlarının bıçağa doğru olduğundan emin olun.

Bıçağın doğru yönde döndüğünden emin olun.

Çalışmadan önce, motoru çalıştırmadan kesme tatbikatı yaparak, bıçağın pozisyonunu, muhafazaların diğer parçalara ve iş parçasına uyumlu çalıştığını kontrol edin.

Ürünü asla gözetimsiz bırakmayın.

Bıçak çalışırken üzerine yağlayıcı uygulamayın.

Makine çalışırken ve testere başı istirahat pozisyonunda değilken asla temizlik veya bakım çalışması yapmayın.

Asla hareket halindeki bir makineyi bıçağa bir alet ya da başka bir araç sıkıştırarak hızlı bir şekilde durdurmayı çalışmayın. Bunun yapılması istemeyerek ciddi kazalara neden olabilir.

Bıçağı değiştirmeden ya da bakım yapmadan önce ürünü güç kaynağından çekin ve batarya takımını çıkarın.

Bıçağı paketlerken ve paketini açarken dikkatli olun. Keskin bıçak dişleri yaralanmaya neden olabilir.

Testere bıçağına dokunurken bıçak tutucu ya da eldiven kullanın.

Bıçağı orijinal paketinde veya uygun bir ambalajda tutun ve saklayın, kuru bir ortamda ve bıçağa zarar verebilecek kimyasallardan uzakta muhafaza edin.

## İLAVE GÜVENLİK VE ÇALIŞMA TALİMATLARI

İş parçasını her zaman güvenli ve emniyetli bir şekilde sıkıştırın.

Ürünün her zaman sabit ve hareketsiz (ör. bir tezgaha sabitlenmiş) olduğundan emin olun.

Her zaman kulak koruyucu kullanın. Gürültüye maruz kalmak işitme kaybına neden olabilir.



EN
DE
FR
IT
ES
PT
DA
NO
SV
FI
EL
TR
CS
SK
PL
HU
SL
HR
LV
LT
ET
RU
BG
RO
MK
UK
AR
i





Ürünü kullanırken her zaman koruyucu gözlük takın. Bıçakları ve kaba malzemeleri tutarken eldiven takılması ve ayrıca ayakları kesme alanından düşebilecek iş parçalarının korumak için sağlam ve kaymaz ayakkabılar giyilmesi tavsiye edilir.

Ürünü temizlemeden veya herhangi bir bakım gerçekleştirmeden önce fişten çekin veya batarya takımını çıkartın.

Elektrik şebekesine yalnızca ürün kapalıyken bağlayın.

Elektrik kablosunu ürünün çalışma menziline uzak tutun. Operatörün bulunduğu alanın dışında tutun.

Bıçak tamamen durmadıkça elinizi bıçağın yanındaki alana asla uzatmayın.

Kullanmadan önce, ürünü, kabloyu ve fişi her türlü hasar ve malzeme yorgunluğu açısından dikkatle inceleyin. Güç kablosu da dahil olmak üzere ürünün tamamında onarım yalnızca yetkili servis merkezi tarafından gerçekleştirilmelidir.

Her zaman ürün üzerindeki muhafazaları kullanın. Muhafazalar yerinde değilse ve doğru çalışmıyorsa ürünü kullanmayın.

Altta bıçak muhafazası sadece bıçak iş parçasına indirildiği zaman açılmalı ve her zaman serbest hareket edip otomatik kapanabilmelidir.

Çalışma sırasında iş parçasını desteklemek için her zaman sabitleyin ve uzatma çubuklarını kullanın.

Hiçbir zaman ürünü veya işlevini değiştirmeyin. Güvenliğiniz tehlikeye girebilir.

Çatlama, hasar görmüş ya da deforme olmuş testere bıçaklarını kullanmayın.

Yüksek hız çeliğinden yapılmış testere bıçaklarını kullanmayın.

Sadece keskin bıçaklar kullanın. Körelmiş bıçakları değiştirin.

Daima malafa delikleri doğru boyutta ve şekilde olan bıçaklar kullanın. Testerenin montaj donanımına uygun olmayan bıçaklar eksantrik olarak çalışarak kontrolün kaybedilmesine neden olur.

Yalnızca bu kılavuzda belirtilen EN 847-1 ile uyumlu ahşap işleme bıçaklarını kullanın.

Testere bıçağını sabitlemek için verilenler veya talimat kılavuzunda belirtilenler dışında herhangi bir flanş, rondela ve somun kullanmayın.

Kesilecek malzemeye uygun testere bıçağının seçilmesi gereklidir. Ürünü asla bu kılavuzun amaçlanan kullanım bölümünde belirtilenler dışında malzemeleri kesmek için kullanmayın.

Bıçağın aşırı ısınmasını ve keserken plastiği eritmesini önlemek önemlidir.

Testere bıçağında belirtilen maksimum hıza uymak çok önemlidir, yalnızca alet üzerinde işaretli hıza eşit veya ondan daha yüksek hıza sahip testere bıçaklarını kullanın.

Aşınmış ya da zarar görmüş tezgah eklentisini değiştirin.

Çalışmadan önce, motoru çalıştırmadan kesme tatbikatı yaparak, bıçağın pozisyonunu, muhafazaların diğer parçalara ve iş parçasına uyumlu çalıştığını kontrol edin.

Şev, eğimli veya birleşik şevli kesim yaparken, kayan perdeyi ve alt perdeyi bıçakla arada doğru mesafe kalacak şekilde ayarlayın.

Testere ünitesinin tamamen aşağı konumdan kontrolsüz biçimde serbest bırakmayın.

Ürünü taşıırken kulp kilidi her zaman takılı olmalıdır.

Ürün sıfır derece şev ve eğim açısında saklanmalı ve yerine kilitlenmelidir. Kulp, muhafazalar kapalıyken alt (güvenli) konumda kilitlenmelidir.

Bir araçta taşırken ürünü kaidesinin üzerine yerleştirin ve harekete karşı emniyete alın.

Ürünü yalnızca bu amaç için sağlanan kulplardan kaldırın. Ürünü kaldırırken her zaman iki elinizi kullanın.

Zemin alanından talaş ve kesik parçalar gibi gevşek malzemeleri uzaklaştırın.

Ürün çalışırken testere başı istirahat pozisyonunda değilken kesik parçaları veya iş parçasının diğer kısımlarını kesme alanından uzaklaştırmaktan kaçının.

İşlenen parça uzunsa, gerektiği gibi desteklenmelidir. Testerenin çalışma alanı, iş parçasının tamamını kapsar. Operatör, bu alanı, çalışma sırasında iş parçasını hareket ettirebilecek diğer kişilerin veya nesnelere kazara temasından korumalıdır.

Ürünü kullanırken ortaya çıkan toz sağlığa zararlı olabilir. Toz çekme sistemi ve uygun bir toz koruma maskesi kullanın. Biriken tozu elektrik süpürgesi ile tamamen temizleyin.

Yeterli açıklık sağlamak için kayar perdeyi şev ya da bileşim kesimini yapmadan önce ayarlamak gerekli olabilir. Ayar işleminden sonra kayar perde kilit vidasının sıkıldığından emin olun.

Kelepçe bıçağın her iki tarafına da yerleştirilip kullanılabilir. Bazı işlemlerde, kelepçe bıçak muhafazasına müdahale edilebilir. Ciddi kişisel yaralanma riskini azaltmak için herhangi bir kesme işlemine başlamadan önce mutlaka bıçak muhafazasına müdahale olmadığından emin olun.

**⚠ UYARI!** 70° şevli kesim yaparken yalnızca 0° eğim açısına izin verilir.

Döner uzatma tablaları, istenen kesim tipine bağlı olarak üç konumdan birine ayarlanabilir.

Uzatma tablalarını kilitlememiş konumlara ayarlamayın. Yalnızca üç kilitleti konumdan birine ayarlayın.

45°'den büyük şevli kesimler yaparken döner uzatma tablalarını kullanın.

LED'i farklı bir tiple değiştirmeyin. Her türlü onarımın sadece üretici veya yetkili servis acentesi tarafından yapılması gerekir.

Ürünü dış mekanda kullanırken, üretici, kesme akımı 30 mA'ya ayarlanmış bir kaçak akım rölesinin (RCD) kullanılmasını önerir.

Ürünü kullanırken, voltaj dalgalanmaları diğer elektrikli ürünlerini veya aynı güç devresindeki aydınlatmayı etkileyebilir. Voltaj dalgalanmalarını en aza indirmek için aleti empedansı 0,299 Ω olan bir güç kaynağına bağlayın. Daha fazla açıklama için elektrik enerjisi tedarikçinize iletişime geçin.

## ÜRÜNÜNÜZÜ TANIYIN

Bkz. sayfa 2-3.

1. Tutamak, yalıtılmış kavrama yüzeyi
2. Güç düğmesi
3. Anahtar kilit kolu
4. LED anahtar
5. Üst muhafaza
6. Kömür fırçası
7. Mil kilit düğmesi
8. Kafa kilit pimi
9. Alt muhafaza
10. Kayar perde
11. Sabit perde
12. Döner uzatma tablası
13. Tabla kilit düğmesi
14. Gönye mandalı baypas düğmesi
15. Gönye kilit kolu
16. Montaj deliği
17. Kesme derinliği ayar vidası
18. Kesme derinliği kilit somunu
19. Kesme derinliği durdurma plakası
20. Taşıma tutamağı
21. Altıgen anahtar
22. Eğim açısı kilitleme düğmesi
23. Eğim skalası
24. Döner tabla
25. Gönye skalası kilitleme vidaları
26. Toz torbası
27. Kaydırma çubuğu sınırlama kolu
28. Kaydırma çubuğu kilit düğmesi
29. Eğim mandalı kolu
30. Kelepçe
31. Gönye skalası
32. LED ışık
33. Dış flanş
34. Testere bıçağı
35. Kertik plakası

## YEDEK PARÇA LİSTESİ

- PS254DBE: Gönye testere EN 847-1/ ø254 x ø30 x 2,6 / 48 T / HW / n maks. 7400 min-1 (Sayfa 3. No. 34)
- Kertik plakası (Sayfa 3. No. 35)
- Kömür fırçası (Sayfa 2. No. 6)





## BAKIM

Ürünü hiçbir şekilde değiştirmeyin veya üretici tarafından onaylanmayan aksesuarları kullanmayın. Sizin güvenliğinizi ve başkalarının güvenliği tehlikeye girebilir.

Herhangi bir anahtar, muhafaza veya diğer işlevler amaçlandığı gibi çalışmıyorsa ürünü kullanmayın. Profesyonel onarım veya ayar için yetkili bir servis merkezine iade edin.

Testere bıçağı hareket halindeyken herhangi bir ayar yapmayın.

Ayar yaparken, yağlarken veya ürün üzerinde herhangi bir bakım yaparken ürünün fişten çekilmiş olduğundan emin olun.

Her kullanım öncesi ve sonrasında üründe hasar veya kırılan parça olup olmadığını kontrol edin. Parçaları üretici tarafından onaylanan yedek parçalarla hemen değiştirerek ürünü en iyi çalışır durumda tutun.

Bıçağın keskin kenarları vardır ve aynı zamanda kesme işlemlerinden sonra sıcaklığı korur. Açıkta bıçağı temizlerken her zaman azami dikkat gösterin. Kendinizi kişisel yaralanmalardan korumak için eldiven takın.

Testerinin ve aksesuarların özellikle de bıçak muhafazası gibi hareketli parçaların tozunu düzenli olarak temizleyin. Bir el fırçası veya elektrikli süpürge kullanarak tozu etkili bir şekilde temizleyin. Basınçlı hava kullanmayın.

Plastik parçaları temizlerken solvent kullanmaktan kaçının. Çoğu plastik cinsi çeşitli ticari solvent türlerine duyarlıdır ve bunların kullanımı sonucu hasar görebilir. Kir, karbon tozu ve benzerini çıkarmak için temiz bez kullanın.

Sadece AEG aksesuarları ve yedek parçaları kullanın. Tanımlanmamış parçaların değiştirilmesi gerektiğinde, AEG servis acentelerimizden birine iletişime geçin (garanti/servis adresleri listemize bakın).

Gerektiğinde, ürünün parçaları dağıtık bir çizimi sipariş edilebilir. Ürün türünü ve etiketin üzerinde yazılı olan seri numarasını belirtin ve çizimi yerel servis temsilcinizden veya doğrudan şu adresten sipariş edin: Techtronic Industries GmbH, Max-Eyth-Straße 10, 71364 Winnenden, Germany.

	DİKKAT! Çalışan lambaya bakmayın.
	Bıçak dönüş yönü
	Bıçak dişleri
	Kesme genişliği
	Mil deliği ve bıçak boyutu
	Sadece ahşap kesimi içindir
	Şev ya da bileşim kesimi yapmadan önce kayar perdenin konumunu ayarlayın.
	Atık elektrikli ve elektronik ekipmanı, sınıflandırılmamış belediye atığı olarak bertaraf etmeyin. Atık elektrikli ve elektronik ekipmanlar ayrıca toplanmalıdır.
	Atık ışık kaynakları ekipmandan çıkarılmalıdır. Yerel otorite veya satıcıdan geri dönüşüm tavsiyesi alın ve toplama noktasını öğrenin. Yerel düzenlemelere göre perakendecilerin atık elektrikli ve elektronik ekipmanı ücretsiz olarak geri alma yükümlülüğü olabilir.
	Atık elektrikli ve elektronik ekipmanların yeniden kullanımı ve geri dönüşümüne katkınız, hammaddede talebini azaltmaya yardımcı olur. Atık elektrikli ve elektronik ekipmanlar, çevreye uyumlu bir şekilde bertaraf edilmediği takdirde çevre ve insan sağlığını olumsuz yönde etkileyebilecek değerli, geri dönüştürülebilir malzemeler içerir. Varsa, atık ekipmandaki kişisel verileri silin.
	Volt
	Alternatif akım
	Avrupa Uyumluluk İşareti
	Ukrayna Uyumluluk İşareti
	EurAsian Uygunluk İşareti

EN
DE
FR
IT
ES
PT
NL
DA
NO
SV
FI
EL
TR
CS
SK
PL
HU
SL
HR
LV
LT
ET
RU
BG
RO
MK
UK
AR

## SEMBOLLER

	Bu ürünü çalıştırmadan önce lütfen bu talimatları dikkate okuyun.
	DİKKAT! UYARI! TEHLİKE!
	Ürün üzerinde herhangi bir çalışma yapmadan önce fişi prizden çekin.
	Sınıf II alet, çift yalıtımlı
	Göz koruyucu ekipman kullanın.
	Kulak tıkacı kullanın.
	Yağmura maruz bırakmayın veya nemli yerlerde kullanmayın.
	Emniyet eldiveni kullanın.
	Ellerinizi kesme alanı ve keskin bıçaktan uzak tutun.



## CS PŘEKLAD PŮVODNÍHO NÁVODU K OBSLUZE

### ZAMÝŠLENÉ POUŽITÍ

Tato pokosová pila je určena k řezání pevného a lepeného dřeva, materiálů podobných dřevu, a to s lepenou překližkou a plasty nebo bez nich.

Tato pokosová pila je určena k používání pouze dospělými osobami, které četly návod k použití a chápou riziko a nebezpečí.

Tato pokosová pila je zkonstruována k upevnění základny na masivní stůl. Pokud není základna upevněna, celý stroj se může při řezání pohybovat, což zvyšuje riziko vážného úrazu.

Pokosová pila je určena k provádění řezů na úkos a zkosení. Funkce pro různé druhy řezů jsou uvedeny v technických vlastnostech výrobku v této příručce.

Pokosová pila musí být používána v suchém prostředí s vynikajícím osvětlením a přiměřeným větráním.

Tato pokosová pila je určena pro kutily a měla by být používána pouze tak, jak je popsáno výše a není určena k žádnému jinému účelu.

Nepoužívejte výrobek jinak než je uvedeno v určeném použití.

**VAROVÁNÍ!** Přečtěte si všechny bezpečnostní pokyny, ilustrace a specifikace dodané s tímto produktem. Nedodržení uvedených pokynů může způsobit požár, úraz elektrickým proudem a/nebo jiné vážné zranění.

Uchovávejte si všechna upozornění a všechna pokyny pro pozdější potřebu.

### BEZPEČNOSTNÍ POKYNY PRO POKOSOVÉ PILY

Pokosové pily jsou určeny k řezání dřeva a podobných materiálů. Nelze je používat s brusnými kotouči na řezání ocelových materiálů jako tyčovina, pruty, čepy atd. Prach a piliny z broušení způsobují zasekávání pohyblivých částí, například spodního ochranného krytu. Jiskry z brusného řezání opalují spodní ochranný kryt, vložku se zářezem a další plastové díly.

Kdykoliv to je možné, používejte k upínání obrobku svorky. Při přidržování obrobku rukou je nutné držet ruku nejméně 100 mm od ostří pily. Nepoužívejte tuto pilu k řezání kusů, které jsou příliš malé pro bezpečné upnutí nebo držení rukou. Při příliš krátké vzdálenosti ruky od ostří pily se zvyšuje riziko úrazu v důsledku kontaktu s ostřím.

Obrobek musí být nehybný a upnut nebo držen jak proti rovnoběžné zářezce (hrazeni), tak proti stolu. Nepoužívejte obrobek k pilovému kotouči ani jinak neřezejte „z ruky“. Nezajištěné nebo pohyblivé se obrobky mohou být odmrštěny vysokou rychlostí a způsobit úraz.

Pilu skrze obrobek tlačte. Neposouvajte pilu skrze obrobek tažením. Postup řezání je takový, že zvednete hlavu pily, přetáhnete ji za obrobek bez řezání, zapnete motor, přesunete a stisknete hlavu pily dolů a tlačení posouváte pilu skrz obrobek. Posouvání pily v řezu tahem může způsobit vyjetí řezného kotouče na horní stranu obrobku a prudké odhození jeho sestavy směrem k obsluze pily.

Nikdy nedávejte ruku přes zamýšlenou přímkou řezu před řezným kotoučem ani za ním. Přidržování obrobku „přes ruku“, tj jeho držení napravo od řezného kotouče levou rukou nebo obráceně, je velmi nebezpečné.

Při odstraňování odřezků nebo za podobným účelem, když se řezný kotouč otáčí, ani jednou rukou nesahejte za rovnoběžnou zářezku blíže než 100 mm od řezného kotouče. Přiblížení rotujícího řezného kotouče k ruce nemusí být zřejmé a může dojít k vážnému poranění.

Před řezáním obrobek zkontrolujte. Pokud je obrobek ohnutý nebo zkroucený, upněte jej vnější stranou ohnutí proti paralelní zářezce. Vždy zajistěte, aby nebyla podél přímkou řezu mezera mezi obrobkem, paralelní zářezkou a stolem. Ohnuté nebo zkroucené obrobky se mohou otáčet nebo posouvat a způsobit drhnutí rotujícího řezného kotouče během řezání. V obrobku nesmějí být hřebíky ani jiná cizí tělesa.

Pilu nepoužívejte, dokud nejsou ze stolu odklizeny nástroje, odřezky atd., kromě obrobku. Úlomky a volné kousky dřeva nebo jiné předměty mohou být při styku s rotujícím řezným kotoučem odmrštěny vysokou rychlostí.

Řezejte obrobky vždy jen po jednom. Na sebe naskládané obrobky nelze řádně upnout ani zapřít a během řezání může dojít k drhnutí řezného kotouče nebo posunu obrobků.

Před používáním zajistěte, aby byla pokosová pila umístěna na vodorovné a pevné pracovní ploše. Vodorovná a pevná pracovní plocha snižuje riziko vzniku nestability pokosové pily.

Práci si předem dobře promyslete. Pokaždé, když se změní seřízení úhlu řezu na úkos nebo úhlu řezu na zkosení, zajistěte správné nastavení stavitelné rovnoběžné zářezky, aby přidržovala obrobek a nepřekážela řeznému kotouči ani ochranným krytům. Zkontrolujte, zda v dráze řezu nebudou překážky a nedojde k nařizování rovnoběžné zářezky tak, že řezným kotoučem provedete bez obrobku upnutého na stole simulaci zamýšleného řezu, aniž byste pilu zapnuli do pozice „ON“.

U obrobku širšího nebo delšího než plocha stolu zajistěte dostatečné podepření, například nástavci stolu, podpěrami (kozami) atd. Bez pevného podepření se mohou obrobky šířší nebo delší než pracovní stůl pokosové pily převrátit. Pokud se odříznutý konec nebo obrobek naklopí, může zdvihnutý spodní ochranný kryt nebo být odhozen rotujícím řezným kotoučem.

Nenahrazujte nástavce stolu nebo přidávané podpěry další osobou. Nestabilita podpírání obrobku může v průběhu řezání způsobit drhnutí řezného kotouče nebo posunutí obrobku, což obsluhu i pomocníka může přitáhnout k rotujícímu řeznému kotouči.

Odřezek nesmí být žádným způsobem tlačěn proti rotujícímu řeznému kotouči. Při použití zářezek na odměřování délky může být odřezek rotujícím řezným kotoučem prudce odmrštěn.

Pro přichycení kulatiny, tyčoviny nebo trubek vždy používejte k tomu určené upínadlo nebo přípravek. Materiály s kruhovým průřezem mají tendenci se při řezání otáčet a to může způsobit „zakousnutí“ ostří a přitážení obrobku a ruky obsluhy směrem k řeznému kotouči.

Před kontaktem s obrobkem nechte řezný kotouč dosáhnout plných otáček. Tím se sníží riziko odmrštění obrobku.

Pokud dojde k zaseknutí řezného kotouče, pokosovou pilu vypněte. Počkejte na zastavení všech pohyblivých částí a odpojte zástrčku od zdroje napájení a/nebo vyjměte baterii. Potom odstraňte zaseknutí. Pokračovat v řezání při zaseknutí do obrobku může způsobit ztrátu ovládnání nebo poškození pokosové pily.

Po dokončení řezu před odstraněním odřezku uvolněte spínač, podržte hlavu pily dole a počkejte, než se řezný kotouč zastaví. Setrvačné otáčení řezného kotouče může způsobit poranění ruky.

Při provádění neúplného řezu nebo uvolňování spínače dřve než hlava pily dosáhne spodní polohy držte rukojeť pevně. Zabrzdění pily může způsobit náhlé přitážení hlavy pily směrem dolů, což představuje riziko úrazu.

### BEZPEČNOSTNÍ POKYNY PRO KOTOUČ NA ŘEZÁNÍ DŘEVA

Před používáním řezného kotouče pily a celého přístroje si prosím přečtěte pečlivě návod.

Produkt musí být v dobrém stavu, včetně nesmí být zkřiveno a nesmí vibrovat.

Pilu nepoužívejte bez správně umístěných ochranných krytů. Udržujte kryty v dobrém provozním stavu a řádně udržované.

Zajistěte dostatečné proškolení obsluhy v bezpečnostních opatřeních, seřizování a používání výrobku.

Při používání pily vždy používejte ochranné brýle a ochranu sluchu. Doporučujeme používat ochranné rukavice, pevnou protiskluzovou obuv a zástěru.

Před použitím jakéhokoli příslušenství si prostudujte návod k použití. Nesprávné použití příslušenství může způsobit škody a zvýšit riziko úrazu.

Používejte výhradně řezné kotouče uvedené v této příručce, které splňují požadavky normy EN 847-1.

Dodržujte maximální otáčky vyznačené na pilovém kotouči. Ujistěte se, že otáčky vyznačené na pilovém kotouči jsou nejméně stejné jako otáčky vyznačené na pile.



Vždy používejte kotouče správné velikosti a tvaru upínacích otvorů. Pokud kotouče neodpovídají montážnímu příslušenství pily, poběží pila excentricky a může dojít ke ztrátě kontroly.

Nepoužívejte kotouče o větším nebo menším průměru, než je doporučeno. K upevnění kotouče na vřeteno nepoužívejte žádné distanční podložky.

Před každým použitím zkontrolujte hroty pilového kotouče, zda nejsou poškozeny nebo zda nemají abnormální vzhled. Poškozené nebo uvolněné hroty mohou při používání odletnout a zvýšit riziko úrazu.

Nepoužívejte prasklé nebo pokřivené pilové kotouče. Nepoužívejte pilové kotouče, které jsou poškozené nebo pokřivené.

Pokud je pilový kotouč poškozený, pokřivený, deformovaný nebo prasklý, vyřaďte jej, oprava není povolena.

Nepoužívejte dělič kotouče HSS.

Před používáním zajistěte dokonalé nasazení řezného kotouče a pevné dotažení přídržné matice (utahovací moment přibližně 12 Nm).

Šrouby a matice se musí utahovat pomocí vhodných utahovacích klíčů apod.

Nastavování utahovacího klíče nebo dotahování pomocí úderů kladiva není povoleno.

Ujistěte se, že kotouč i příruby jsou čisté a zapuštěné strany objímky jsou proti kotouči.

Ujistěte se, že se kotouč otáčí správným směrem.

Před prací proveďte řez naprázdno s vypnutým motorem, abyste si mohli zkontrolovat pozici kotouče, funkčnost krytů vzhledem k ostatním součástem přístroje a obrobku.

Nikdy nenechávejte pilu bez dozoru.

Nenanásejte na kotouč mazivo, když je v chodu.

Nikdy neprovádějte čištění nebo údržbu, dokud stroj běží a hlava není v klidové poloze.

Nikdy se nepokoušejte rychle zastavit stroj v pohybu sevřením kotouče nástrojem nebo jiným prostředkem, tímto způsobem může neúmyslně dojít k vážné nehodě.

Před výměnou kotoučů nebo prováděním údržby pilu odpojte od síťového napájení nebo vyjměte akumulátor.

Při balení a rozbalování kotoučů dávejte pozor, protože se můžete snadno poranit o ostré zuby kotouče.

Při výměně kotouče používejte držák kotouče nebo noste rukavice.

Uchovávejte kotouče v originálním balení nebo v jiném vhodném obalu, udržujte je v suchu a z dosahu chemikálií, které by je mohly poškodit.

## DODATEČNÉ BEZPEČNOSTNÍ A PRACOVNÍ POKYNY

Vždy upínejte obrobek pevně a bezpečně.

Zajistěte, aby byl přístroj vždy stabilně a bezpečně připraven (např. ke stolu).

Vždy používejte ochranu sluchu. Působením hluku může dojít k poškození sluchu.

Při používání tohoto přístroje vždy noste ochranné brýle. Při manipulaci s kotouči a drsným materiálem doporučujeme používat rukavice a pevnou protiskluzovou obuv, která chrání nohy před obrobky, které mohou odpadnout z oblasti řezání.

Před prováděním údržby nebo čištěním odpojte přístroj od síťového napájení nebo vyjměte akumulátor.

Přístroj připojujte k elektrické síti pouze tehdy, když je vypnutý.

Udržujte síťový kabel mimo pracovní dosah přístroje. Udržujte jej mimo oblast, v níž stojí operátor.

Nikdy nesahejte do oblasti poblíž kotouče, dokud se zcela nezastaví.

Před použitím přístroje důkladně zkontrolujte, zda není poškozený nebo nevykazuje újavu materiálu. Opravy celého přístroje včetně napájecího kabelu smí provádět pouze pověřené servisní pracovníci.

Vždy používejte ochranné kryty přístroje. Pilu nepoužívejte, pokud nejsou ochranné kryty správně umístěny nebo správně nefungují.

Spodní kryt řezného kotouče se musí otevírat pouze při spuštění řezného kotouče k obrobku a musí se vždy volně pohybovat a automaticky zavírat.

Během provozu vždy připevněte a používejte nástavné podpěry. Přístroj nikdy nepozměňujte ani neupravujte. Mohlo by to ohrozit vaši bezpečnost.

Nepoužívejte pilové kotouče, které jsou prasklé, poškozené nebo pokřivené.

Nepoužívejte pilové kotouče z rychlořezné oceli.

Používejte pouze ostré pilové kotouče. Tupé kotouče vyměňte.

Vždy používejte kotouče správné velikosti a tvaru upínacích otvorů. Pokud kotouče neodpovídají montážnímu příslušenství pily, poběží pila excentricky a může dojít ke ztrátě kontroly.

Používejte výhradně řezné kotouče pro práci se dřevem uvedené v této příručce, které splňují požadavky normy EN 847-1.

K upevnění pilového kotouče nepoužívejte žádné jiné příruby, podložky a matice než ty, které jsou dodány nebo uvedeny v uživatelské příručce.

Je nutno zvolit pilový kotouč, který je vhodný pro řezání materiálu. Nikdy přístroj nepoužívejte k řezání jiných materiálů než ke kterým je určen podle této příručky.

Při řezání je důležité zabránit přehřívání řezného kotouče a tavení plastů.

Zásadní význam má dodržování maximálních otáček uvedených na řezném kotouči. Používejte pouze řezné kotouče, které jsou označeny otáčkami shodnými nebo vyššími než jsou otáčky vyznačené na pile.

Vyměňte opotřeбенou nebo poškozenou vložku stolu.

Před prací proveďte řez naprázdno s vypnutým motorem, abyste si mohli zkontrolovat pozici kotouče, funkčnost krytů vzhledem k ostatním součástem přístroje a obrobku.

Při provádění řezu na zkosení, úkos nebo kombinovaných seřídte posuvnou rovnoběžnou zarážku nebo přídavnou mezizarážku k zajištění správného odstupu od ostří.

Dejte si pozor na neočekávané uvolnění pilového kotouče v dolní pozici.

Při přepravě pily musí být vždy aktivována aretace rukojeti.

Tento přístroj by měl být skladován s nulovým úhlem zkosení a úkosu a zajištěn v této poloze. Rukojeť by měla být zajištěna ve spodní (bezpečné) poloze se zavřenými bezpečnostními kryty.

Při přepravě ve vozidle postavte přístroj na základnu a zajistěte jej proti pohybu.

Přístroj zvedejte pouze za rukojeti určené k tomuto účelu. Zvedejte přístroj vždy oběma rukama.

Udržujte podlahu čistou, bez úlomků materiálu, jako například kovových třísek a odězků.

Neodstraňujte žádné odězky ani další části obrobku z řezného prostoru při provozu přístroje, dokud není hlava pily v klidové poloze.

Dlouhé obrobky musí být řádně podepřeny. Pracovní plocha pily zahrnuje celý objem obrobku. Obsluha by měla zajistit tuto oblast před náhodným dotykem jiných osob nebo předmětů, které by mohly při provozu pohnout obrobkem.

Prach a piliny vznikající při používání výrobku mohou představovat zdravotní riziko. Používejte systém odsávání prachu a noste vhodnou protiprachovou ochrannou masku. Důkladně odstraňte usazený prach pomocí vysavače.

Před provedením úkosového nebo složeného řezu může být nejprve nutné seřídít polohu posuvné zarážky k zajištění správného umístění řezu s ohledem na tloušťku pilového listu. Po seřízení zajistěte polohu posuvné zarážky utažením pojistného šroubu.

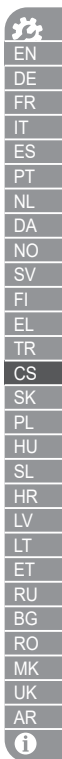
Svorku lze použít na libovolné straně od pilového kotouče.

Při některých postupech může svorka překážet sestavě ochranného krytu pilového kotouče. Aby se snížilo riziko vážného úrazu, před zahájením řezání vždy zkontrolujte, zda při něm nebude ochranný kryt pilového kotouče překážet.

**⚠ VAROVÁNÍ!** Při provádění pokosového řezu 70 ° je povolen pouze úhel úkosu 0 °.

Otočné prodlužovací stoly lze nastavit do jedné ze tří poloh v závislosti na požadovaném typu řezu.

Nenastavujte prodlužovací stoly do odlišných poloh. Nastavujte je pouze do jedné ze tří uzamčených poloh.





Při pokosových řezech větších než 45 ° použijte otočné prodlužovací stoly.

Nenahrazujte LED jiným typem. Jakékoli opravy musí provádět výrobce nebo autorizovaný servis.

Při použití přístroje ve venkovním prostředí výrobce doporučuje použití proudového chránič s vypínačem nastaveným na 30 mA.

Při používání přístroje může kolísání napětí ovlivnit jiné elektrické výrobky nebo osvětlení připojené ke stejnému napájecímu obvodu. Připojte tento nástroj ke zdroji napájení s impedancí 0,299 Ω, abyste minimalizovali kolísání napětí. Pro další objasnění se obraťte na svého dodavatele elektrické energie.

## POZNEJTE SVŮJ PRODUKT

Viz strany 2–3.

1. Rukojeť s izolací a protiskluzovým povrchem
2. Hlavní vypínač
3. Páčka zajištění spínače v poloze vypnutu
4. LED vypínač
5. Horní kryt
6. Uhlíkový kartáč
7. Aretační tlačítko vřetene
8. Zarážka hlavy
9. Spodní kryt
10. Posuvná zarážka
11. Pevná zarážka
12. Otočný prodlužovací stůl
13. Tlačítko zajištění stolu
14. Tlačítko vynechání aretace pokosu
15. Páka zámku pokosu
16. Montážní otvor
17. Šroub seřizování hloubky řezu
18. Pojistná matice hloubky řezu
19. Dorazová deska hloubky řezu
20. Rukojeť pro přenášení
21. Šestihranný klíč
22. Knoflík zámku úhlu úkosu
23. Stupnice úkosu
24. Otočný stůl
25. Šrouby pro zajištění pokosové stupnice
26. Prachový sáček
27. Omezovací páka posuvné lišty
28. Uzamykací knoflík posuvné lišty
29. Aretační páka úkosu
30. Svorka
31. Měřítka pokosu
32. Světlo LED
33. Vnější podložka
34. Pilový kotouč
35. Deska se zářezem

## SEZNAM NAHRADNÍCH SOUČÁSTÍ

- PS254DBE: Pokosová pila EN 847-1/  $\varnothing 254 \times \varnothing 30 \times 2,6 / 48T / HW$  / otáčky max. 7 400 min<sup>-1</sup> (Strana 3. č. 34)
- Deska se zářezem (Strana 3. č. 35)
- Uhlíkový kartáč (Strana 2. č. 6)

## ÚDRŽBA

Přístroj žádným způsobem neupravujte a nepoužívejte příslušenství neschválené výrobcem. Mohlo by to ohrozit vaši bezpečnost i bezpečnost ostatních.

Přístroj nepoužívejte, nefungují-li některé spínače, ochranné kryty nebo jiné funkce tak, jak mají. Jejich odbornou opravu nebo seřízení svěřte autorizovanému servisnímu centru.

Neprovádějte žádné úpravy, když je pilový kotouč v pohybu.

Před seřizováním, promazáváním nebo prováděním údržby se vždy ujistěte, že byla přístroj odpojen od napájecího zdroje.

Před každým použitím i po něm přístroj zkontrolujte, zda není poškozený nebo zda nemá rozbité části. Udržujte přístroj v dokonalém provozním stavu okamžitou výměnou poškozených dílů za náhradní díly schválené výrobcem.

Kotouč má ostré hrany a po řezání může být také horký. Při čištění obnažené čepele dbejte zvýšené opatnosti. Používejte rukavice, abyste se nezranili.

Z pily a jejího příslušenství pravidelně odstraňujte prach a piliny, obzvláště z pohyblivých částí včetně ochranného krytu řezného

kotouče. K účinnému odstranění prachu a pilin použijte smeták nebo vysavač. Nepoužívejte stlačený vzduch.

Při čištění plastových částí nepoužívejte rozpouštědla. Většina plastů nesnáší různé druhy komerčně dostupných rozpouštědel a mohou být při jejich použití poškozena. K odstranění špíny, uhlíkového prachu apod. použijte čistý hadřík.

Používejte pouze příslušenství AEG a náhradní díly AEG. Pokud je potřeba vyměnit díly a není to popsáno, obraťte se prosím na jednoho z našich servisních zástupců AEG (podívejte se na náš seznam záručních/servisních adres).

V případě potřeby je možno objednat podrobný náčrtek výrobku. Uveďte typ přístroje a jeho sériové číslo uvedené na štítku a objednejte si výřez u svých místních servisních zástupců nebo přímo na adrese: Techtronic Industries GmbH, Max-Eyth-Straße 10, 71364 Winnenden, Germany.

## SYMBOLY

	Před používáním tohoto výrobku si důkladně přečtěte pokyny.
	<b>UPOZORNĚNÍ! VAROVÁNÍ! NEBEZPEČÍ!</b>
	Před prováděním jakékoli práce na přístroji vytáhněte zástrčku z elektrické zásuvky.
	Nástroj třídy II, dvojitá izolace
	Noste ochranné brýle.
	Používejte ochranu sluchu.
	Nevystavujte přístroj dešti a nepoužívejte jej ve vlhkém prostředí.
	Používejte ochranné rukavice.
	Udržujte ruce v dostatečné vzdálenosti od řezného prostoru a ostrého pilového kotouče.
	<b>UPOZORNĚNÍ!</b> Neđivte se přímo do zapnuté pracovní lampy.
	Směr otáčení kotouče
	Zub kotouče
	Šířka řezu
	Upínací otvor a velikost kotouče
	Pouze pro řezání dřeva



Před provedením úkosového nebo složeného řezu seřídte polohu posuvné zarážky.



Nelikvidujte elektrické a elektronické zařízení společně s netříděným komunálním odpadem.

Elektrický a elektronický odpad musí být shromažďován odděleně.

Odpadní světelné zdroje musí být od zařízení odděleny.

Zjistěte si u místní samosprávy nebo u maloobchodníka, jaké jsou pokyny k recyklaci a kde je sběrné místo.

Podle místních nařízení mohou mít maloobchodníci povinnost brát bezplatně zpět elektrický a elektronický odpad.

Když budete přispívat k opětovnému použití a recyklaci elektrického a elektronického odpadu, pomůže to snížit potřebu surovin.

Elektrický a elektronický odpad obsahuje cenné a recyklovatelné materiály, které mohou mít nepříznivý dopad na životní prostředí a lidské zdraví, nebudou-li zlikvidovány ekologickým způsobem.

Odstraňte z odpadu osobní údaje, pokud nějaké obsahuje.

V

Napětí



Střídavý proud



Značka shody s evropskými normami



Značka shody s ukrajinskými normami



Euroasijská značka shody

## SK PREKLAD ORIGINÁLU POKYNOV

### ŠPECIFIKOVANÉ PODMIENKY POUŽITIA

Táto pokosová píla je určená na rezanie masívneho alebo lepeného dreva, materiálov podobných drevu, s dýhnu alebo bez dýhy a plastov.

Túto pokosovú pílu môžu používať len dospelé osoby, ktoré si prečítali a porozumeli návodu na obsluhu, rizikám a nebezpečenstvám.

Táto pokosová píla je navrhnutá tak, aby sa dala v spodnej časti pripevniť k pevnej doske stola. Ako základňa nie je bezpečne pripevnená, celý stroj sa môže počas prevádzky pohybovať, čo zvyšuje možnosť vážneho poranenia osôb.

Pokosová píla je určená na vykonávanie šikmých a pokosových rezov. Možnosti vykonávať rôzne rezy sú uvedené v špecifikácii výrobku v tejto príručke.

Pokosová píla je určená na vykonávanie použitia v suchom prostredí, s výborným osvetlením okolia a dostatočným vetraním.

Táto pokosová píla je určená na spotrebiteľské použitie a mala by sa používať len podľa opisu uvedeného vyššie a nie je určená na žiadne iné účely.

Tento produkt nepoužívajte žiadnym iným spôsobom, ako je uvedené v účele použitia.

**VAROVANIE!** Prečítajte si všetky pokyny s bezpečnostnými výstrahami, obrázky a parametre uvádzané pre tento výrobok. Pri nedodržaní pokynov uvedených nižšie môže dôjsť k úrazu elektrickým prúdom, požiaru alebo závažnému osobnému poraneniu.

Všetky výstrahy a pokyny si odložte na použitie v budúcnosti.

### BEZPEČNOSTNÉ POKYNY PRE POKOSOVÉ PÍLY

Pokosové píly sú určené na rezanie dreva a drevu podobných výrobkov a nesmú sa používať spolu s rozbrusovacími kotúčmi na rezanie železných materiálov, ako sú tyče, drôty, kĺnce atď. Abrázivny prach vznikajúci spôsobuje uviaznutie pohyblivých dielov, ako je spodný chránič. Iskry pri rozbrusovaní spália dolný ochranný kryt, zárezovú dosku a ďalšie plastové diely.

Na podopretie obrobku vždy použite príchytky. Ak budete obrobok podpierat rukou, ruku musíte mať aspoň 100 mm od ktorejkoľvek strany pilovej čepele. Túto pílu nepoužívajte na rezanie kusov, ktoré sú veľmi malé na bezpečné prichytenie či držanie rukou. Ak svoju ruku umiestnite veľmi blízko pilovej čepele, existuje zvýšené riziko poranenia v dôsledku kontaktu s čepeľou.

Obrobok musí byť stabilizovaný a prichytený alebo držaný proti zábrane aj stolu. V žiadnom prípade sa obrobok nesmie prisúvať k pilovej čepele alebo rezať „voľne z ruky“. Neupevnené alebo pohybujúce sa obrobky môžu byť odhodené vysokou rýchlosťou a môžu spôsobiť poranenie.

Pílu tlačte cez obrobok. Pílu cez obrobok neťahajte. Ak chcete vykonať rez, zdvihnite hlavu píly a potiahnite ju ponad obrobok bez rezania, naštartujte motor, stlačte hlavu píly nadol a pílu tlačte cez obrobok. Rezanie s pohybom ťahaním pravdepodobne spôsobí, že čepeľ vylezie na hornú časť obrobku a silne odhodí zostavu čepele smerom k obsluhu.

Nikdy nekladte svoju ruku krížom cez zamýšľanú líniu rezu, a to ani pred ani za pilovú čepeľ. Podopieranie obrobku „krížom“, t. j. držiac obrobok vpravo od pilovej čepele ľavou rukou a naopak, je veľmi nebezpečné.

Kým sa čepeľ otáča, nenačahujte sa za zábranu ktoroukoľvek rukou bližšie než 100 mm ku ktorejkoľvek strane čepele, aby ste odstránili drevené úlomky, ani z akéhokoľvek iného dôvodu. Blízkosť otáčajúcej sa pilovej čepele k ruke nemusí byť zrejmá a môžete sa vážne poraniť.

Pred rezaním obrobok skontrolujte. Ak je obrobok ohnutý alebo zvinený, upevnite ho vonkajšou ohnutou stranou k zábrane. Vždy zabezpečte, aby medzi obrobkom, zábranou a stolom nebola pozdĺž línie rezu žiadna medzera. Ohnuté alebo zvinené obrobky sa môžu stočiť alebo posunúť a môžu spôsobiť uviaznutie otáčajúcej sa pilovej čepele počas rezania. V obrobku sa nesmú nachádzať žiadne kĺnce ani cudzie predmety.

Pílu nepoužívajte, až kým zo stola okrem obrobku neodstránite všetky nástroje, drevené úlomky atď. Malé úlomky a voľne položené kusy dreva či iné predmety, ktoré sa dotknú otáčajúcej sa čepele, môžu byť odhodené vysokou rýchlosťou.

Naraz reže len jeden obrobok. Na seba poukladané obrobky nemožno primerane upnúť alebo zovrieť a počas rezania sa môžu zachytiť v čepeľi alebo posunúť.

Pred použitím pokosovú pílu namontujte na vodorovnom a pevnom pracovnom povrchu. Vodorovný a pevný pracovný povrch redukuje riziko nestability pokosovej píly.

Svoju prácu si naplánujte. Pri každej zmene uhla šikmosti alebo pokosu správne nastavte nastaviteľnú zábranu, aby podopierala obrobok a neprekážala čepeľi či systému ochrany. Bez toho, aby ste nariadenie zapli a na stól položili obrobok, pohybujte pílu po kompletnej simulovanej línii rezu, aby ste overili, že nedôjde k porušeniu alebo nebezpečenstvu prerazania zábrany.

Pre obrobky, ktoré sú širšie alebo dlhšie ako pracovný stôl, zabezpečte primeraný podporu, ako je predĺženie stola, podpora na rezanie atď. Ak obrobky, dlhšie alebo širšie, ako stôl pokosovou pílu, nebudú bezpečne podopreté, môžu sa prevrhnúť. Ak sa odrezaný kus alebo obrobok prevrhne, môže zdvihnúť spodný chránič alebo môže dôjsť k jeho odhodeniu otáčajúcou sa čepeľou.

Ako náhradu za predĺženie stola alebo ako dodatočnú podporu nevyužívajte inú osobu. Nestabilná podpera obrobku môže



EN

DE

FR

IT

ES

PT

NL

DA

NO

SV

FI

EL

TR

CS

SK

PL

HU

SL

HR

LV

LT

ET

RU

BG

RO

MK

UK

AR

f

spôsobíť uviaznutie čepele alebo posunutie obrobku počas rezania, čím dôjde k potiahnutiu vás a pomocníka smerom k otáčajúcej sa čepeľi.

**Odrezaný kus sa nesmie zasúvať ani tlačíť akýmkoľvek spôsobom smerom k otáčajúcej sa pilovej čepeľi.** V prípade ohraničenia, t. j. používania dlžkových zarážok, by sa mohol odrezaný kus vkliniť smerom k čepeľi a mohlo by dôjsť k jeho silnému odhodneniu.

**Na podopretie okrúhlych materiálov, ako sú tyče alebo rúry, vždy používajte príchytiku alebo upevnenie navrhnuté pre takúto materiál.** Tyče majú tendenciu sa pri rezaní otáčať, čo spôsobuje, že sa čepeľ „zahryzne“ a ťahá obrobok s vašou rukou smerom k čepeľi.

**Pred kontaktom s obrobkom nechajte čepeľ dosiahnuť maximálne otáčky.** Tým sa zníži riziko odhodnenia obrobku.

**Ak dôjde k zaseknutiu obrobku alebo čepele, vypnite pokosovú pílu.** Počkajte na zastavenie všetkých pohyblivých dielov a odpojte zástrečku zo zdroja napájania a/alebo vyberte súpravu batérií. Potom zaseknutý materiál uvoľnite. Ak by ste pokračovali v práci so zaseknutým materiálom, mohlo by dôjsť k strate ovládania alebo poškodeniu pokosovej píly.

**Po dokončení rezu uvoľnite vypínač, hlavu píly držte dolu a počkajte na úplne zastavenie čepele; potom odoberte odrezaný kus.** Naťahovanie rukou do blízkosti otáčajúcej sa čepele je nebezpečné.

**Pri vykonávaní neúplného rezu alebo pri uvoľňovaní vypínača pred tým, ako bude hlava píly v najspodnejšej polohe, držte rúčku pevne.** Brzdenie píly môže spôsobiť náhle potiahnutie hlavy píly smerom nadol s rizikom možného poranenia.

## BEZPEČNOSTNÉ POKYNY TYKAJÚCE SA ČEPELE NA PILENIE DREVA

Pred používaním pilovej čepele a zariadenia si dôkladne prečítajte návod a pokyny.

Výrobok musí byť v dobrom stave, vreteno bez deformácií a vibrácií.

Výrobok nepoužívajte bez nainštalovaných chráničov. Ochranné kryty udržiavajte v dobrom prevádzkovom stave a správne udržiavané.

Obsluha musí byť primerane vyškolená v oblasti bezpečnostných opatrení, nastavovania a prevádzkovania výrobku.

Pri používaní výrobku vždy noste okuliare a ochranu sluchu. Odporúča sa nosiť rukavice, pevnú protišmykovú obuv a zásteru.

Pred používaním akéhokoľvek príslušenstva si pozrite návod na použitie. Pri nesprávnom používaní príslušenstva môže dôjsť ku škode a zvýšeniu možnosti zranenia.

Používajte len čepele uvedené v príručke, ktoré vyhovujú norme EN 847-1.

Dodržiavajte maximálne otáčky, ktoré sú vyznačené na pilovej čepeľi. Skontrolujte, či sa otáčky vyznačené na pilovej čepeľi rovnajú otáčkam vyznačeným na pile.

Vždy používajte čepele so správnou veľkosťou a tvarom otvoru pre upínací trň. Čepele, ktoré nezodpovedajú montovanému príslušenstvu píly, budú bežať nevycentrovane, čo spôsobí stratu kontroly.

Nepoužívajte čepele, ktorých priemer je väčší alebo menší ako odporúčaný. Nepoužívajte žiadne náhrady, aby sa čepeľ dala nasadiť na vreteno.

Pilovú čepeľ pred používaním skontrolujte, či nemá poškodené hroty alebo či nemá abnormálny vzhľad. Poškodené alebo uvoľnené hroty môžu počas prevádzky odletúvať a zvýšiť riziko osobného zranenia.

Nepoužívajte prasknuté ani pokrivené pilové čepele. Nepoužívajte pilové čepele, ktoré sú poškodené alebo deformované.

Pilovú čepeľ vyradte, ak je poškodená, zdeformovaná, pokrivená alebo prasknutá. Ich opravovanie je zakázané.

Nepoužívajte čepele HSS.

Pred používaním skontrolujte, že pilová čepeľ je správne namontovaná, a dôkladne utiahnite upínaciu maticu (uťahovací moment približne 12 Nm).

Upínacia skrutka a matica sa musia uťahovať správnym kľúčom atď.

Pri uťahovaní sa zakazuje používať predĺženia kľúča na matice alebo údery kladivom.

Skontrolujte, či sú čepeľ a príruby čisté a či sú zapustené časti manžety priláčené na čepeľ.

Skontrolujte, či sa čepeľ otáča v správnom smere.

Pred prácou vykonajte fiktívny rez bez zapnutého motora, aby ste mohli skontrolovať polohu čepele, funkčnosť ochranných krytov voči ostatným častiam stroja a obrobku.

Výrobok nikdy nenechávajte bez dohľadu.

Keď je čepeľ v chode, nenanášajte na ňu žiadne mazacie prostriedky.

Keď je stroj stále v chode a hlavica nie je v zastavenej polohe, nevykonávajte žiadne čistenie ani údržbárske činnosti.

Stroj sa nikdy nepokúšajte rýchle zastaviť priláčením nástroja alebo iných prostriedkov o čepeľ, pokiaľ je v pohybe, pretože tým môže dôjsť k neúmyselným závažným nehodám.

Pred výmenou čepele alebo pred vykonávaním údržby odpojte výrobok od elektrickej siete alebo vyberte súpravu batérií.

Dávajte si pozor pri zabalení a vybalení na čepeľ pilového kotúča, ostré hroty čepele vás môžu ľahko poraniť.

Použite držiak pilového kotúča alebo pri manipulácii s pilovým kotúčom noste rukavice.

Čepeľ uchovávajte a skladujte v originálnom obale alebo inom vhodnom obale a skladujte ho v suchu a mimo dosahu chemikálií, ktoré by mohli čepeľ poškodiť.

## DODATOČNÉ BEZPEČNOSTNÉ A PRACOVNÉ POKYNY

Obrobok vždy upnite bezpečne a pevne.

Zabezpečte, aby bol výrobok vždy umiestnený stabilne a bezpečne (napr. pripavený k stolu).

Vždy používajte ochranu sluchu. Vystavovanie hluku môže spôsobiť stratu sluchu.

Pri používaní výrobku vždy noste ochranné okuliare. Pri manipulácii s čepeľami a drsným materiálom sa odporúča nosiť rukavice spolu s protišmykovou obuvou na ochranu nôh pred obrobkami, ktoré môžu vypadnúť z oblasti rezania.

Pred vykonávaním údržby alebo čistením výrobku odpojte výrobok z elektrickej siete alebo z neho vyberte súpravu batérií.

Výrobok pripojte k napájaniu zo siete iba vtedy, keď je vypnutý.

Napájací kábel udržiavajte mimo pracovného dosahu výrobku. Uchovávajte ho mimo oblasti, v ktorej stojí operátor.

Nikdy nesiahajte do oblasti v blízkosti čepele, pokiaľ nie je úplne zastavená.

Pred použitím skontrolujte, či výrobok, kábel a zástrečka nevykazujú žiadne poškodenia či únavu materiálu. Opravy celého výrobku vrátane napájacieho kábla smie vykonávať len autorizované servisné stredisko.

Na výrobku vždy používajte ochranné kryty. Výrobok nepoužívajte, ak nie sú chrániče v správnej polohe alebo ak nefungujú správne.

Spodný chránič čepele by mal byť otvorený, len ak je čepeľ znížená k obrobku, a musí sa vždy voľne pohybovať a automaticky zatvárať.

Obrobok počas činnosti vždy upevnite a používajte predĺžovacie tyče.

Výrobok ani jeho funkcie nikdy nepozmeňujte ani neupravujte. Môže byť ohrozená vaša bezpečnosť.

Nepoužívajte pilové čepele, ktoré sú prasknuté, poškodené alebo deformované.

Nepoužívajte pilové čepele vyrobené z rýchloreznej ocele.

Používajte iba ostré pilové čepele. Vymeňte tupé čepele.

Vždy používajte čepele so správnou veľkosťou a tvarom otvoru pre upínací trň. Čepele, ktoré nezodpovedajú montovanému príslušenstvu píly, budú bežať nevycentrovane, čo spôsobí stratu kontroly.

Používajte len čepele určené na prácu s drevom, ktoré vyhovujú norme EN 847-1.

Na zaistenie pilovej čepele nepoužívajte žiadne iné príruby, podložky a matice, ako tie, ktoré boli dodané, alebo sú uvedené v návode na použitie.



Musí sa zvoliť pilová čepeľ, ktorá je vhodná pre pilený materiál. Tento výrobok nepoužívajte na rezanie iných materiálov, než aké sú uvedené v časti o určenom používaní v tomto návode.

Je dôležité predísť prehrievaniu a roztopeniu plastov počas rezania.

Je dôležité dodržiavať maximálne otáčky uvedené na pilovej čepeľi a používať pilovú čepeľ označenú otáčkami, ktoré sú rovnaké alebo vyššie ako otáčky vyznačené na náradí.

Opotrebované alebo poškodené vložky na stôl vymeňte.

Pred prácou vykonajte fiktívny rez bez zapnutého motora, aby ste mohli skontrolovať polohu čepele, funkčnosť ochranných krytov voči ostatným častiam stroja a obrobku.

Pri vykonávaní šikmých, pokosových alebo zložených pokosových rezov upravte posuvnú zábranu alebo pomocnú zábranu tak, aby sa dosiahla správna vzdialenosť od čepele.

Zabráňte nekontrolovanému uvoľneniu píly z najspodnejšej polohy.

Pri preprave výrobku musí byť vždy zaradený zámok na rúčku.

Tento výrobok sa vždy musí skladovať pri nulovom pokose a uhle skosenia a v zaistenej polohe. Rukoväť musí byť zaistená v dolnej (bezpečnej) polohe so zatvorenými ochrannými krytmi.

Výrobok počas prepravy vo vozidle uložte na jeho základňu a zaistíte proti pohybu.

Výrobok dvíhajte iba uchopením za rukoväť, ktoré sú poskytnuté na tento účel. Výrobok vždy dvíhajte obidvoma rukami

Udržiavajte podlahovú plochu bez uvoľnených materiálov, ako sú triesky a odrezky.

Neodstraňujte žiadne odrezky alebo iné časti obrobku z oblasti rezania, keď je výrobok v chode a hlava píly nie je v pokojovej polohe.

Dlhé obrobky musia byť dostatočne podložené. Pracovná oblasť píly zahŕňa celý priestor obrobku. Operátor musí túto oblasť zaistiť pred náhodným kontaktom inými osobami alebo predmetmi, ktoré by mohli obrobok počas operácie posunúť.

Prach vznikajúci pri používaní tohto výrobku môže byť škodlivý pre zdravie. Používajte systém na odsávanie prachu a noste vhodnú ochrannú masku proti prachu. Nahromadený prach dôkladne odstráňte vysávacou.

Pred vykonávaním pokosových alebo zložených rezov bude možno potrebné upraviť posuvnú zábranu. Operátor musí túto správnu vzdialenosť. Po nastavení skontrolujte, či je skrutka posuvnej zábrany riadne utiahnutá.

Príchytku možno nainštalovať na ktorejkoľvek strane čepele. Pri niektorých činnostiach môže príchytká prekážať zostave ochranného krytu čepele. Aby ste znížili riziko vážneho osobného poranenia, pred začatím akéhokoľvek rezu vždy skontrolujte, že ochrannému krytu čepele nič neprekáža.

**⚠ VAROVANIE!** Pri vykonávaní 70° pokosového rezu je povolený iba 0° uhol skosenia.

Otočné predlžovacie stoly sa môžu nastaviť do jednej z troch polôh v závislosti od požadovaného typu rezu. Predlžovacie stoly nenastavujte do odomknutých polôh.

Predlžovacie stoly nepoužívajte do odomknutých polôh. Nastavte ich iba do jednej z troch zamknutých polôh.

Otočné predlžovacie stoly používajte iba pri vykonávaní pokosových rezov väčších ako 45°.

Nevymieňajte LED kontrolku za iný typ. Akékoľvek opravy musia byť vykonávané výhradne výrobcom alebo zástupcom autorizovaného servisu.

Výrobca odporúča pri požívaní tohto výrobku vonku používať zariadenie RCD so zapínaním nastaveným na 30 mA.

Kolísania napätia môže pri používaní tohto výrobku vplyvať na iné elektrické výrobky alebo osvetlenie v tom istom prúdovom obvode. Nástroj zapojte do zdroja napájania s impedanciou rovnajúcou sa 0,299 Ω, aby sa minimalizovalo kolísanie napätia. Ak potrebujete ďalšie objasnenie, obráťte sa na svojho dodávateľa elektrickej energie.

## SPoznajte svoj výrobok

Pozrite si stranu 2-3.

1. Rúčka, izolovaný povrch na držanie
2. Hlavný vypínač

3. Poistná páčka spínača
4. LED vypínač
5. Vrchný ochranný kryt
6. Uhlíková kefka
7. Poistné tlačidlo vretena
8. Čap na zaistenie hlavy
9. Spodný ochranný kryt
10. Posuvná zábrana
11. Pevná zábrana
12. Otočný predlžovací stôl
13. Poistné tlačidlo stola
14. Premostovací prepínač pokosovej zarážky
15. Poistná páčka pokosu
16. Otvor na montážnu skrutku
17. Skrutka na nastavenie hlčky rezu
18. Poistná matica pre hlčku rezu
19. Dorazová doska hlčky rezu
20. Rúčka
21. Imbusový kľúč
22. Poistný gombík uhla skosenia
23. Ukosová stupnica
24. Otočný stôl
25. Skrutky na zaistenie mierky pokosu
26. Vrecko na prach
27. Zaisťovacia páčka posúvača v koncovej polohe
28. Zaisťovací gombík posúvača
29. Páka aretácie pokosu
30. Svorka
31. Mierka pokosu
32. LED svetlo
33. Vonkajšia prírubica
34. Pilový kotúč
35. Platňa na zárezy

## Zoznam náhradných dielov

- PS254DBE: Pokosová píla EN 847-1/ø 254 x ø 30 x 2,6/48T/HW/n max. 7 400 min-1 (Strana 3 č. 34)
- Platňa na zárezy (Strana 3 č. 35)
- Uhlíková kefka (Strana 2 č. 6)

## UDRŽBA

Výrobok žiadnym spôsobom neupravujte ani nepoužívajte akéhokoľvek príslušenstvo, ktoré výrobca neschválil. Môže byť ohrozená vaša bezpečnosť a bezpečnosť iných ľudí.

Tento výrobok nepoužívajte, keď akékoľvek spínače, ochranné kryty alebo iné funkcie nefungujú tak, ako je to určené. Na vykonanie odbornej opravy alebo výmeny ho zaneste do autorizovaného servisného strediska.

Pokiaľ sa pilová čepeľ pohybuje, nevykonávajte žiadne nastavenia.

Výrobok pred vykonávaním nastavení, mazania alebo akejkoľvek jeho údržby vždy odpojte od elektrickej siete.

Pred a po každom použití výrobok skontrolujte, či nie je poškodený alebo či sú niektoré diely nefunkčné. Výrobok udržiavajte v maximálnom bezchybnom stave okamžitou výmenou dielov za náhradné diely, ktoré schválil výrobca.

Čepeľ má ostré hrany a po činnostiach rezania môže byť horúca.

Pri čistení nechránenej čepele dávajte maximálny pozor. Na ochranu pred osobným poranením noste rukavice.

Pílu a jej príslušenstvo pravidelne čistite od prachu, hlavne pohyblivé diely a hraníc čepele. Na účinné odstránenie prachu používajte ručnú kefu alebo vysávač. Nepoužívajte stlačený vzduch.

Pri čistení plastových dielov nepoužívajte rozpúšťadlá. Väčšina plastov je náchylná na rôzne typy bežne predávaných rozpúšťadiel a môže sa ich použitím poškodiť. Na odstránenie nečistôt, uhlíkového prachu a podobných nečistôt používajte čisté handričky.

Používajte len príslušenstvo AEG a náhradné diely AEG. Ak potrebujete vymeniť súčasti, ktoré tu nie sú opísané, kontaktujte jedného zo servisných zástupcov spoločnosti AEG (pozrite si zoznam adries pre potreby uplatnenia záruky alebo vykonania servisu).

V prípade potreby si môžete rozvinúť pohľad na výrobok objednať. Uvedte typ výrobku a sériové číslo vytlačené na štítku a objednajte si výkres u vašich miestnych servisných zástupcov alebo priamo na adrese: Technion Industries GmbH, Max-Eyth-Straße 10, 71364 Winnenden, Germany.



EN

DE

FR

IT

ES

PT

NL

DA

NO

SV

FI

EL

TR

CS

SK

PL

HU

SL

HR

LV

LT

ET

RU

BG

RO

MK

UK

AR

ⓘ

ⓘ

ⓘ

ⓘ



## SYMBOLY

	Pred spustením výrobu si dôkladne prečítajte pokyny.
	UPOZORNENIE! VAROVANIE! NEBEZPEČENSTVO!
	Pred vykonávaním akejkoľvek práce na tomto výrobku odpojte zástrčku od elektrickej zásuvky.
	Nástroj triedy II, dvojitá izolácia
	Používajte ochranu zraku.
	Používajte ochranu sluchu.
	Nevystavujte dažďu ani nepoužívajte vo vlhkých prostrediach.
	Používajte ochranné rukavice.
	Ruky držte v bezpečnej vzdialenosti od rezného priestoru a ostrej čepele.
	UPOZORNENIE! Nepozerajte sa priamo do lampy, keď svieti.
	Smer otáčania čepele
	Zúbky čepele
	Šírka rezu
	Otvor na upevňovací trň a šírka čepele
	Iba na pílenie dreva
	Pred vykonávaním pokosových alebo zložených rezov upravte polohu posuvnej zábrany.
	Odpadové elektrické a elektronické zariadenia nelikvidujte ako netriedený komunálny odpad. Odpadové elektrické a elektronické zariadenia sa musia zbierať separovane.  Odpadové svetelné zdroje treba z výrobku vybrať.

Pokyny na recykláciu a miesta recyklácie zistíte u vášho miestneho orgánu alebo predajcu.

Podľa miestnych predpisov môžu mať maloobchodníci povinnosť bezplatne prevziať odpadové elektrické a elektronické zariadenia.

Váš príspevok k opätovnému použitiu a recyklácii odpadových elektrických a elektronických zariadení pomáha znižovať dopyt po surovinách.

Odpadové elektrické a elektronické zariadenia obsahujú cenné a recyklovateľné materiály, ktoré môžu mať nepriaznivý vplyv na životné prostredie a ľudské zdravie, ak sa nelikvidujú ekologicky vhodným spôsobom.

Odstráňte prípadné osobné údaje z odpadového zariadenia.

V

Napätie

~

Striedavý prúd

CE

Európske označenie zhody

Ukrajinské označenie zhody

001

EAC

Euroázijská značka zhody

## PL TŁUMACZENIE ORYGINALNEJ INSTRUKCJI

### WARUNKI UŻYTKOWANIA

Ukośnica przeznaczona jest do cięcia drewna litego i płył wiórowych z fornirem i bez, tworzyw sztucznych oraz materiałów drewnopodobnych.

Ukośnica przeznaczona jest wyłącznie dla dorosłych operatorów, którzy zapoznali się z instrukcją obsługi oraz rozumieją źródła ryzyka i zagrożenia.

Ukośnica przeznaczona jest do mocowania do solidnego stołu warsztatowego za podstawę. Jeżeli podstawa nie będzie bezpiecznie zamocowana, całe urządzenie będzie mogło przemieszczać się w trakcie cięcia, co będzie zwiększać ryzyko poważnych obrażeń.

Ukośnica przeznaczona jest do wykonywania cięć skośnych i fazowań. Parametry poszczególnych cięć zamieszczono w specyfikacji produktu w tej instrukcji.

Ukośnicy należy używać w miejscach suchych, bardzo dobrze oświetlonych i odpowiednio wentylowanych.

Ukośnicy należy używać wyłącznie do zastosowań konsumenckich w sposób opisany powyżej i w niniejszej instrukcji — nie jest ona przeznaczona do żadnego innego celu.

Nie należy używać tego produktu niezgodnie z przeznaczeniem.

**⚠ OSTRZEŻENIE! Należy zapoznać się ze wszystkimi dostarczonymi z tym produktem instrukcjami, ilustracjami i specyfikacjami.** Nie przestrzeganie przedstawionych niżej zaleceń mogłoby pociągnąć za sobą wypadki takie jak pożary, porażenia prądem elektrycznym i /lub poważne obrażenia ciała.

**Zachować wszystkie ostrzeżenia i instrukcje do wglądu na przyszłość.**

### INSTRUKCJE BEZPIECZENSTWA DOTYCZĄCE UKOŚNIC

Ukośnice przeznaczone są do cięcia drewna lub produktów przypominających drewno — nie można ich używać z





przeznaczonymi do cięcia tarczami ściernymi w celu cięcia materiałów żelaznych, takich jak pręty, kolki itp. Pył powstający w trakcie ścierania powoduje zakleszczanie się części ruchomych, takich jak dolna osłona. Iskry powstające w trakcie cięcia ściernego powodują opalenie dolnej osłony, wkładki oraz innych części z tworzyw sztucznych.

W miarę możliwości należy używać zacisków do podparcia przedmiotu obrabianego. W przypadku podtrzymywania elementu obrabianego dłonią należy zawsze utrzymywać odległość 100 mm między dłonią a najbliższą powierzchnią tarczy tnącej. Nie stosować ukośnicy do cięcia przedmiotów, które są zbyt małe, by można je było bezpiecznie zamocować lub trzymać dłonią. Jeśli dłoń użytkownika znajdzie się zbyt blisko tarczy, wystąpi zwiększone ryzyko urazu spowodowanego kontaktem z ostrzem.

Element obrabiany musi być nieruchomy i zamocowany bądź dociskany ręcznie zarówno do ogranicznika, jak i do stołu. Nie dopychać elementu obrabianego do tarczy ani nie ciąć go, trzymając wyłącznie w dłoni, niezależnie od orientacji elementu. Ruchome lub niedociśnięte do właściwych powierzchni ograniczających elementy obrabiane mogą być wyrzucane z dużą prędkością, co może powodować obrażenia.

Przepchnąć tarczę przez element obrabiany. Nie ciągnąć tarczy przez element obrabiany. W celu wykonania cięcia podnieść głowicę ukośnicy i przemieścić ją nad element obrabiany bez cięcia, uruchomić silnik, docisnąć głowicę ukośnicy w dół, a następnie przepchnąć ją przez element obrabiany. Ciągnięcie głowicy w trakcie cięcia może spowodować ruch tarczy w kierunku górnej części elementu obrabianego i gwałtowne wyrzucenie zespołu tarczy w kierunku operatora.

Nigdy nie przemieszczać dłoni nad planowaną linią cięcia — ani przed tarczą, ani za nią. Podtrzymywanie elementu obrabianego „na krzyż”, tj. trzymanie elementu obrabianego po prawej stronie tarczy lewą ręką bądź vice versa, jest bardzo niebezpieczne.

Gdy tarcza się obraca, nie sięgać za ogranicznik żadną z dłoni, zbliżając ją bliżej niż 100 mm z dowolnej strony tarczy w celu usunięcia resztek drewna lub z jakiegokolwiek innego powodu. Niewielka odległość między obracającą się tarczą a dłonią może nie być oczywista, co może prowadzić do poważnych obrażeń.

Przed przystąpieniem do cięcia należy sprawdzić obrabiany element. Jeśli obrabiany element jest wygięty lub wypaczony, zamocować go tak, by zewnętrzna, wygięta powierzchnia znajdowała się przy ograniczniku. Zawsze upewnić się, że pomiędzy obrabianym elementem, ogranicznikiem i stołem nie ma szczeliny wzdłuż linii cięcia. Wygięte lub wypaczone elementy obrabiane mogą się obracać lub przesuwać, co może skutkować zakleszczaniem obracającej się tarczy w trakcie cięcia. W elemencie obrabianym nie powinny znajdować się żadne gwóźdźcie ani inne przedmioty.

Nie rozpoczynać korzystania z ukośnicy, dopóki ze stołu nie zostaną usunięte wszelkie narzędzia, fragmenty drewna itp. Niewielkie pozostałości lub luźne fragmenty drewna bądź inne przedmioty mające kontakt z obracającą się tarczą mogą być wyrzucane z dużą prędkością.

Należy ciąć tylko jeden element naraz. Ułożone na sobie elementy obrabiane nie mogą zostać odpowiednio zamocowane, a tym samym mogą zakleszczać się lub przesuwać w trakcie cięcia.

Przed rozpoczęciem korzystania z ukośnicy należy upewnić się, że jest ona zamontowana lub umieszczona na poziomej, nieruchomej powierzchni roboczej. Pozioma, nieruchoma powierzchnia robocza ogranicza ryzyko utraty stabilności przez produkt.

Przewidziane prace należy dobrze zaplanować. Po każdej zmianie kąta cięcia w którejkolwiek z płaszczyzn należy upewnić się, że regulowany ogranicznik jest prawidłowo ustawiony, tak by podparł element obrabiany i nie kolidował z tarczą lub systemem osłon. Bez włączenia narzędzia i umieszczenia elementu obrabianego na stole przesunąć tarczę przez cały planowany tor ruchu, aby upewnić się, że nie znajdują się na nim żadne przeszkody, jak również że nie występują zagrożenia przecięciem ogranicznika.

Jeżeli obrabiany element jest szerszy lub dłuższy niż blat stołu, należy zapewnić mu odpowiednie podparcie, takie jak przedłużenia stołu, kołki do pilowania itp. Elementy

obrabiane dłuższe lub szersze od blatu stołu, na którym znajduje się ukośnica, mogą się przechylić, jeśli nie zostaną odpowiednio podparte. Jeśli element odcinany lub obrabiany przechyli się, może to spowodować podniesienie lub odrzucenie dolnej osłony przez obracającą się tarczę.

Nie należy wykorzystywać innej osoby w celu przedłużenia stołu lub zapewnienia dodatkowego podparcia. Niestabilne podparcie elementu obrabianego może spowodować zakleszczenie tarczy lub przesunięcie się elementu obrabianego w trakcie cięcia, co może skutkować pociągnięciem zarówno operatora, jak i pomocnika w stronę obracającej się tarczy.

Nie należy dopuszczać do zakleszczenia się elementu obrabianego na obracającej się tarczy, a ponadto nie należy go do niej dociskać. W przypadku zastosowania ograniczników długości lub innych elementów ograniczających przemieszczanie elementu odcinany może zakleszczyć się na tarczy i zostać gwałtownie wyrzucony.

Zawsze stosować zacisk lub inne zamocowanie, którego konstrukcja umożliwiła należyte podparcie elementów okrągłych, takich jak pręty czy rury. Pręty mają tendencję do toczenia się w trakcie cięcia, co skutkuje „chwytaniem” elementu obrabianego przez tarczę i ciągnięciem go wraz z dłonią operatora w stronę tarczy.

Przed przyłożeniem tarczy do obrabianego elementu należy poczekać, aż osiągnie ona pełną prędkość. Spowoduje to ograniczenie ryzyka wyrzucenia elementu obrabianego.

Jeżeli obrabiany przedmiot lub tarcza zakleszcza się, wyłączyć ukośnicę. Należy poczekać, aż wszystkie poruszające się części zatrzymają się, i wyjąć wtyczkę z gniazda i/lub wymontować akumulator. Następnie należy uwolnić zakleszczony element. Kontynuacja cięcia mimo zakleszczenia elementu obrabianego może spowodować utratę kontroli lub uszkodzenie ukośnicy.

Po zakończeniu cięcia należy zwolnić przełącznik, opuścić głowicę tnącą i poczekać, aż tarcza zatrzyma się — następnie można usunąć odcięty fragment. Zbliżanie dłoni do tarczy, która jeszcze nie zahamowała, jest niebezpieczne.

W trakcie wykonywania niekompletnego cięcia lub zwalniania przełącznika należy mocno trzymać uchwyt, do momentu całkowitego opuszczenia głowicy tnącej. Hamująca tarcza może spowodować nagle pociągnięcie głowicy tnącej w górę, co zwiększa ryzyko obrażeń.

## INSTRUKCJE BEZPIECZENSTWA DOTYCZĄCE TARCZY DO CIĘCIA DREWNA

Przed rozpoczęciem korzystania z tarczy i urządzenia należy dokładnie zapoznać się z podręcznikiem oraz instrukcjami.

Produkt musi znajdować się w dobrym stanie, a wrzeciono nie może być zdeformowane i nie może wibrować.

Nie stosować produktu bez zamontowanych osłon. Osłony należy utrzymywać w dobrym stanie technicznym i właściwie konserwować.

Upewnić się, że operator posiada odpowiednie przeszkolenie w zakresie środków ostrożności, regulacji oraz obsługi produktu.

W trakcie pracy z produktem zawsze nosić okulary ochronne oraz ochronniki słuchu. Zalecane jest noszenie rękawic oraz solidnego, antypoślizgowego obuwia i fartucha.

Przed użyciem jakiegokolwiek akcesorium należy zapoznać się z instrukcją obsługi. Niewłaściwe użycie akcesoriów może spowodować uszkodzenia i zwiększyć prawdopodobieństwo obrażeń.

Stosować wyłącznie opisane w niniejszym podręczniku tarcze zgodne z normą EN 847-1.

Należy przestrzegać maksymalnej prędkości obrotowej podanej na tarczy pilarki. Należy upewnić się, że prędkość podana na tarczy pilarki jest co najmniej równa prędkości podanej na samym urządzeniu.

Należy zawsze używać tarcz o prawidłowym rozmiarze i kształcie otworu osiowego. Tarcze, które nie pasują do elementów mocujących piły, będą się obracać nierównomiernie, co może spowodować utratę kontroli nad urządzeniem.

Nie używać tarcz o średnicy większej lub mniejszej niż zalecana. Nie używać elementów dystansowych w celu dopasowania tarczy do wrzeciona.



EN

DE

FR

IT

ES

PT

NL

DA

NO

SV

FI

EL

TR

CS

SK

PL

HU

SL

HR

LV

LT

ET

RU

BG

RO

MK

UK

AR

i



Przed każdym użyciem tarczy tnącej należy sprawdzić, czy końcówki zębów nie są uszkodzone lub nie mają nietypowego wyglądu. Uszkodzone lub poluzowane końcówki zębów mogą być wyrzucane w trakcie pracy, co może zwiększać ryzyko urazów.

Nie należy używać tarcz pękniętych lub zniekształconych. Nie należy używać tarcz pękniętych lub zdeformowanych.

Uszkodzone, zdeformowane, zniekształcone lub pęknięte tarcze należy złomować, ponieważ ich naprawa jest niedozwolona.

Nie używać tarcz HSS.

Przed rozpoczęciem pracy upewnić się, że tarcza jest prawidłowo zamontowana, a także dokładnie dokręcić nakrętkę osi (moment dokręcania około 12 Nm).

Śrubę mocującą oraz nakrętki należy dokręcić odpowiednim kluczem maszynowym itp.

Przedłużanie klucza lub dokręcanie za pomocą uderzeń młotkiem jest niedozwolone.

Należy upewnić się, że tarcza i kołnierze są czyste, a wgłębione strony kołnierza przylegają do tarczy.

Należy upewnić się, że tarcza obraca się w prawidłowym kierunku.

Przed przystąpieniem do pracy należy wykonać próbne cięcie bez włączonego silnika, aby sprawdzić położenie tarczy, a także działanie osłon w stosunku do innych części maszyny oraz obrabianego przedmiotu.

Nigdy nie pozostawiać produktu bez nadzoru.

Nie należy nakładać środków smarnych na tarczę podczas pracy.

Nigdy nie należy wykonywać żadnych czynności związanych z czyszczeniem lub konserwacją, gdy urządzenie jest w ruchu, a głowica nie znajduje się w pozycji spoczynkowej.

Nigdy nie podejmować prób gwałtownego zatrzymywania urządzenia w ruchu poprzez zakleszczenie tarczy za pomocą narzędzia lub innego przedmiotu, ponieważ może to doprowadzić do poważnego wypadku.

Przed przystąpieniem do wymiany tarczy lub prac konserwacyjnych odłączyć produkt od źródła zasilania lub wymontować akumulator.

W trakcie pakowania i rozpakowywania tarczy należy zachować szczególną ostrożność, ponieważ jej ostre końcówki mogą łatwo spowodować zranienie.

W trakcie wymiany tarczy używać uchwytu lub nosić rękawice.

Tarczę należy przechowywać w oryginalnym opakowaniu lub innym odpowiednim opakowaniu, w suchym miejscu oraz z dala od środków chemicznych, które mogą spowodować jej uszkodzenie.

## **DODATKOWE ŚRODKI BEZPIECZEŃSTWA I INSTRUKCJA EKSPLOATACJI**

Zawsze dokładnie mocować przedmiot obrabiany.

Należy upewnić się, że produkt jest zawsze stabilny i bezpieczny (np. przymocowany do stołu warsztatowego).

Zawsze nosić ochronniki słuchu! Narażenie na hałas może spowodować utratę słuchu.

W trakcie pracy z produktem zawsze nosić okulary ochronne.

Zaleca się noszenie rękawic do pracy z tarczami i szorstkimi materiałami oraz solidnego, antypoślizgowego obuwia, aby chronić stopy przed przedmiotami obrabianymi, które mogą spaść z obszaru cięcia.

Przed przystąpieniem do prac konserwacyjnych lub czyszczenia produktu odłączyć produkt od źródła zasilania lub wymontować akumulator.

Urządzenie należy podłączać do sieci zasilającej wyłącznie wtedy, gdy jest ono wyłączone.

Przewód zasilający nie powinien znajdować się w zasięgu pracy urządzenia. Należy go trzymać z dala od stanowiska operatora.

Nigdy nie należy sięgać w pobliże tarczy, dopóki tarcza całkowicie się nie zatrzyma.

Przed rozpoczęciem użytkowania dokładnie sprawdzać produkt, przewód i wtyczkę pod kątem wszelkich uszkodzeń i zmechanienia materiału. Naprawy całego produktu, w tym przewodu zasilającego, należy powierzać wyłącznie autoryzowanemu serwisowi.

Zawsze stosować osłony produktu. Nie używać produktu, jeśli osłony nie są założone lub nie działają prawidłowo.

Niższą osłonę tarczy należy otwierać wyłącznie gdy tarcza zostanie opuszczona na cięty element — zawsze musi istnieć możliwość jej swobodnego przemieszczenia i automatycznego zamykania.

Zawsze stosować i mocować pręty przedłużające w celu podparcia elementu obrabianego w trakcie pracy z produktem.

Nigdy nie modyfikować produktu ani jego funkcji. Bezpieczeństwo operatora może być zagrożone.

Nie używać pękniętych, uszkodzonych lub zdeformowanych tarcz.

Nie używać tarcz wykonanych ze stali szyszkotnącej.

Stosować wyłącznie ostre tarcze. Wymieniać stopione tarcze.

Należy zawsze używać tarcz o prawidłowym rozmiarze i kształcie otworu osiowego. Tarcze, które nie pasują do elementów mocujących piły, będą się obracać mimośrodowo, co może spowodować utratę kontroli nad urządzeniem.

Stosować wyłącznie opisane w niniejszym podręczniku tarcze do cięcia drewna zgodne z normą EN 847-1.

Do mocowania pilarki nie należy używać kołnierzy, podkładek i nakrętek innych niż dostarczone lub wskazane w instrukcji obsługi.

Należy wybrać tarczę odpowiednią do rodzaju ciętego materiału.

Nigdy nie stosować produktu do cięcia materiałów innych niż wyszczególnione w rozdziale niniejszej instrukcji, w którym opisano przeznaczenie produktu.

Należy unikać przegrzewania się ostrza oraz topienia tworzywa sztucznego w trakcie cięcia.

Konieczne jest przestrzeżenie podanej na tarczy prędkości maksymalnej — należy również stosować wyłącznie tarcze, na których podano prędkość co najmniej równą prędkości podanej na narzędziu.

Zużyta lub uszkodzona wkładkę stołową należy wymienić.

Przed przystąpieniem do pracy należy wykonać próbne cięcie bez włączonego silnika, aby sprawdzić położenie tarczy, a także działanie osłon w stosunku do innych części maszyny oraz obrabianego przedmiotu.

W trakcie wykonywania cięć skośnych lub złożonych cięć skośnych należy regulować ogranicznik przesuwny lub jego część składową, aby zapewnić właściwy odstęp od tarczy.

Unikać niekontrolowanego odblokowania piły z położenia całkowicie opuszczonego.

W trakcie transportowania produktu blokada rękojeści musi być zawsze zablokowana.

Przed rozpoczęciem przechowywania należy ustawić zerowe kąty ukosu i skosu oraz zablokować urządzenie w tych położeniach. Rękojeść powinna zostać zablokowana w dolnym (bezpiecznym) położeniu przy zamkniętych osłonach.

Na czas transportu w pojeździe należy ustawić produkt na podstawie i zabezpieczyć go przed przemieszczaniem.

Produkt należy podnosić wyłącznie za przewidziane do tego celu rękojeści. Produkt należy zawsze podnosić oburącz.

Dbać o to, aby na podłożu nie gromadziły się luźne fragmenty, takie jak wióry lub ścinki.

Podczas pracy urządzenia oraz gdy głowica piły nie znajduje się w pozycji spoczynkowej, nie należy usuwać z obszaru cięcia odciętych elementów lub innych części przedmiotu obrabianego.

Długie przedmioty obrabiane muszą zostać odpowiednio podparte. Obszar roboczy pilarki obejmuje całą powierzchnię obrabianego przedmiotu. Operator powinien zabezpieczyć ten obszar przed przypadkowym kontaktem z innymi osobami lub przedmiotami, które mogą przemieszczać element obrabiany podczas pracy.

Pył wytwarzany podczas przystawiania z produktu może być niebezpieczny dla zdrowia. Używać systemu odsysania pyłu i nosić odpowiednią maskę przeciwpyłową. Dokładnie usuwać osadzający się pył odkurzaczem.

Przed wykonaniem cięcia skośnego lub złożonego konieczne może być wyregulowanie ogranicznika przesuwnego w celu zapewnienia odpowiedniego przeswitu. Po dokonaniu regulacji należy upewnić się, że śruba mocująca ogranicznika przesuwnego jest dokładnie dokręcona.

Zacisk można montować i wykorzystywać po dowolnej stronie tarczy. W przypadku niektórych czynności zacisk może kolidować z zespołem osłony tarczy. Przed rozpoczęciem cięcia należy zawsze

upewnić się, że żaden z elementów nie koliduje z osłoną tarczy, tak by ograniczyć ryzyko poważnych obrażeń.

**⚠ OSTRZEŻENIE!** Podczas wykonywania cięcia ukośnego pod kątem 70° dozwolony jest wyłącznie kąt skosu 0°.

Obrotowe przedłużenia stołu można ustawić w jednym z trzech położen, w zależności od pożądanego rodzaju cięcia.

Nie ustawiać przedłużen stołu w położeniach niezablokowanych. Dozwolone jest ustawianie wyłącznie trzech położeń zablokowanych.

Podczas wykonywania cięć ukośnych pod kątem większym niż 45° należy korzystać z obrotowych stołów przedłużających.

Nie wymieniać diody LED na źródło światła innego typu. Wszelkie naprawy muszą być wykonywane wyłącznie przez producenta lub autoryzowany serwis.

W przypadku korzystania z urządzenia na zewnątrz budynków producent zaleca stosowanie wyłącznika różnicowoprądowego o prądzie zadziałania 30 mA.

Podczas korzystania z produktu wahań napięcia mogą wpływać na inne produkty elektryczne lub oświetlenie znajdujące się w tym samym obwodzie zasilającym. W celu zminimalizowania wahań napięcia należy podłączyć narzędzie do źródła zasilania o impedancji równej 0,299 Ω. W celu uzyskania dalszych wyjaśnień należy skontaktować się z dostawcą energii elektrycznej.

## POZNAJ SWÓJ PRODUKT

Patrz strony 2–3.

1. Rekojęść, izolowana powierzchnia chwytna
2. Wyłącznik
3. Dźwignia zwalnająca blokadę włącznika
4. Przelicznik LED
5. Osłona górna
6. Szczotka węglowa
7. Przycisk blokady wrzeciona
8. Sworzeń blokujący głowicę
9. Osłona dolna
10. Ogranicznik przesuwny
11. Ogranicznik nieruchomy
12. Obrotowe przedłużenie stołu
13. Przycisk blokujący stół
14. Przycisk obejścia blokady ukosu
15. Dźwignia blokująca kąt ukosu
16. Otwór montażowy
17. Śruba do regulacji głębokości cięcia
18. Nakrętka zabezpieczająca śruby do regulacji głębokości cięcia
19. Płyta ogranicznika głębokości cięcia
20. Uchwyt do przenoszenia
21. Klucz imbusowy
22. Pokrętko blokady kąta skosu
23. Skala kąta skosu
24. Stół obrotowy
25. Śruby do blokowania skali ukosu
26. Worek na pył
27. Dźwignia ogranicznika suwaka
28. Pokrętko blokady suwaka
29. Dźwignia blokady skosu
30. Zacisk
31. Skala kąta ukosu
32. Oświetlenie LED
33. Kolierz zewnętrzny
34. Tarcza do pilarek
35. Wstawka stołowa

## LISTA CZĘŚCI ZAMIENNYCH

- PS254DBE: Ukośnica EN 847-1/ ø254 x ø30 x 2,6 / 48T / HW / n maks. 7400 min-1 (strona 3, poz. 34)
- Wstawka stołowa (strona 3, poz. 35)
- Szczotka węglowa (strona 2, poz. 6)

## KONSERWACJA

Nie modyfikować produktu w żaden sposób ani nie używać jakichkolwiek akcesoriów niezalecanych przez producenta. Bezpieczeństwo operatora i osób postronnych może być zagrożone.

Nie należy używać urządzenia, jeśli jakiegokolwiek przelicznika, osłony lub inne funkcje nie działają zgodnie z przeznaczeniem.

Należy je zwrócić do autoryzowanego serwisu w celu przeprowadzenia profesjonalnej naprawy lub wymiany.

Nie należy dokonywać żadnych regulacji, gdy tarcza jest w ruchu.

Przed przystąpieniem do regulacji, smarowania lub konserwacji zawsze upewniać się, że produkt został odłączony od zasilania.

Przed każdym użyciem i zawsze po zakończeniu pracy sprawdzić produkt pod kątem braku uszkodzeń, w tym pękniętych części.

Należy utrzymywać produkt w jak najlepszym stanie technicznym, niezwłocznie wymieniając jego części na części zamienne zatwierdzone przez producenta.

Ostrze ma ostre krawędzie, a po zakończeniu cięcia może być gorące. W trakcie czyszczenia odsłoniętego ostrza zachować skrajną ostrożność. Nosić rękawice w celu ochrony przed urazami.

Regularnie czyścić ukośnicę i akcesoria z pyłu — zwłaszcza części ruchome, w tym osłonę tarczy. W celu skutecznego usunięcia pyłu należy użyć ręcznej szczoteczki lub odkurzacza. Nie stosować sprężonego powietrza.

Unikać stosowania rozpuszczalników do czyszczenia części z tworzyw sztucznych. Większość tworzyw sztucznych jest podatna na działanie różnego rodzaju rozpuszczalników i może ulec uszkodzeniu w wyniku ich stosowania. Do usuwania brudu, pyłu węglowego itp. należy używać czystych ściereczek.


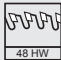

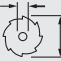








Stosować wyłącznie akcesoria i części zamienne AEG. W przypadku zaistnienia konieczności wymiany komponentów na nieopisane w niniejszej instrukcji należy skontaktować się z jednym z naszych agentów serwisowych AEG (prosimy o zapoznanie się z naszą listą podmiotów realizujących naprawy gwarancyjne i serwisowe).

W razie potrzeby można zamówić rysunek produktu rozebranego. Należy podać typ produktu i numer seryjny nadrukowany na etykiecie oraz zamówić rysunek u lokalnego przedstawiciela handlowego lub bezpośrednio: Techtronic Industries GmbH, Max-Eyth-Straße 10, 71364 Winnenden, Germany.

## SYMBOLE

	Przed uruchomieniem produktu należy dokładnie zapoznać się z instrukcjami.
	<b>UWAGA! OSTRZEŻENIE! NIEBEZPIECZEŃSTWO!</b>
	Przed przystąpieniem do jakiegokolwiek prac przy urządzeniu należy wyjąć wtyczkę z gniazdka.
	Narzędzie klasy II, podwójna izolacja
	Nosić ochronę oczu.
	Nosić środki ochrony słuchu.
	Nie narażać na działanie deszczu ani nie użytkować w miejscach wilgotnych.
	Nosić rękawice ochronne.
	Nie zbliżać dłoni do obszaru cięcia i tarczy.
	<b>UWAGA!</b> Nie wpatrywać się w świecącą lampę.

- 
- EN
- DE
- FR
- IT
- ES
- PT
- NL
- DA
- NO
- SV
- FI
- EL
- TR
- CS
- SK
- PL
- HU
- SL
- HR
- LV
- LT
- ET
- RU
- BG
- RO
- MK
- UK
- AR
-

	Kierunek obrotów tarczy
	Liczba zębów tarczy
	Szerokość cięcia
	Rozmiar otworu osiowego i tarczy
	Wyłącznie do cięcia drewna
	Przed przystąpieniem do wykonywania cięć skosnych lub złożonych wyregulować położenie ogranicznika przesuwnego.
	Zużytego sprzętu elektrycznego i elektronicznego nie należy wyrzucać jako nieposortowanych odpadów komunalnych. Zużyty sprzęt elektryczny i elektroniczny musi być gromadzony osobno.
	Zużyte źródła światła muszą zostać usunięte ze sprzętu. Skontaktować się z lokalnymi władzami lub sprzedawcą detalicznym w celu uzyskania porad dotyczących recyklingu i punktu zbiórki odpadów. Zgodnie z lokalnymi przepisami sprzedawcy detaliczni mogą być zobowiązani do nieodpłatnego odbioru zużytego sprzętu elektrycznego i elektronicznego. Państwa wkład w ponowne wykorzystanie i recykling zużytego sprzętu elektrycznego i elektronicznego pomaga zmniejszyć zapotrzebowanie na surowce. Zużyty sprzęt elektryczny i elektroniczny zawiera nadające się do recyklingu i cenne materiały i surowce, które mogą mieć negatywny wpływ na środowisko naturalne i zdrowie ludzkie, jeśli nie są usuwane w sposób przyjazny dla środowiska naturalnego. Z utylizowanego sprzętu należy usunąć wszelkie ewentualne dane osobowe.
	Napięcie
	Prąd przemienny
	Symbol zgodności z przepisami europejskimi
	Symbol zgodności z przepisami ukraińskimi
	Znak zgodności EurAsian

## HU AZ EREDETI ÚTMUTATÓ FORDÍTÁSA

### RENDELTETTÉSZERŰ HASZNÁLAT

A gérvágó fűrész ragasztott furnért és műanyagot tartalmazó vagy nem tartalmazó tömör fa, rétegelt falemez és fához hasonló anyagok fűrészeléséhez használható.

A gérvágó fűrész csak olyan felnőtt működtetheti, aki elolvasta a használati utasítást, és megértette a kockázatokat és veszélyeket.

A gérvágó fűrész talpazatát rögzíteni kell egy szilárd munkafelületen. Ha a talpazat nincs megfelelően rögzítve, az egész gép elmozdulhat használat közben, növelve a súlyos személyi sérülés kockázatát.

A gérvágó fűrész terde- és gérvágásra tervezték. A különböző vágásokhoz tartozó teljesítmények ebben a használati utasításban találhatóak a termékleírásoknál.

A gérvágó fűrész száraz körülmények között, kiváló megvilágítás és megfelelő szellőztetés mellett használandó.

A gérvágó fűrész nem ipari felhasználásra készült, és csak a fentiekben leírt módon szabad használni, más célra tilos.

Ne használja a terméket a rendeltetésétől eltérő célra.

**⚠ FIGYELMEZTETÉS!** Olvassa el, illetve tekintse meg a termékhez biztosított minden biztonsági figyelmeztetést, illusztrációt és műszaki leírást. Az alább részletezett előírások be nem tartása olyan baleseteket okozhat, mint pl. tűz, áramütés és/vagy súlyos testi sérülések.

**Őrizze meg az összes figyelmeztetést és utasítást későbbi felhasználás céljából.**

### GÉRVÁGÓ FÜRÉSZEK BIZTONSÁGI ÚTMUTATÁSAI

A gérvágó fűrész fa vagy faszűrű termékek vágására szolgál, nem használható abrazív vágókoronggal vastartalmú anyagok (például rudak, huzalok, csapok stb.) vágásához. A csiszolópor a mozgóalkatrészek, például az alsó védőelem, beragadását okozhatja. Az abrazív vágás szikrái leégetik az alsó védőelemet, a fűrészjárat betétjét és más műanyag alkatrészeket.

Lehetőség szerint satuval rögzítse a munkadarabot. Ha a munkadarabot kézzel tartja, akkor a kezét a fűrész tárcsa minden oldalától legalább 100 mm távolságra tartsa. Ne használja a fűrész olyan munkadarabok vágására, amelyek túl kicsik ahhoz, hogy biztosan befogja, vagy kézzel megtartsa. Ha a keze túl közel van a fűrész tárcsához, akkor a pengével való lehetséges érintkezés miatt nagyobb a sérülés kockázata.

A munkadarabnak fix helyen kell lennie, rögzíteni kell vagy a határoló vas és az asztal között kell megtartani. A munkadarabot ne adagolja a fűrészhez, és ne vágjon szabad kézzel semmilyen körülmények között. A nem befogott vagy mozgó munkadarabok nagy sebességen elmozdulhatnak, és sérülést okozhatnak.

Tolja át a fűrész tárcsát a munkadarabon. Ne húzza át a fűrész tárcsát a munkadarabon. A vágáshoz emelje fel a fűrészfejet és húzza át a munkadarabon vágás nélkül, indítsa el a motort, nyomja le a fűrészfejet és tolja át a fűrész tárcsát a munkadarabon. A húzó mozdulattal való vágással a fűrész tárcsa nagy valószínűséggel a munkadarab tetejére mozdulhat el, és a kezelő irányába erősen megdobhatja a lapot.

Soha ne tegye a kezét a tervezett vágás vonalába, sem a fűrész tárcsa elé, sem az mögé. A munkadarabot keresztben tartani, azaz a munkadarabot a fűrész tárcsától balra tartani a jobb kezével, vagy fordítva, nagyon veszélyes.

A kezével a határoló vasat a fűrész tárcsa egyik oldalához képest se közelítse meg 100 mm-nél kisebb távolságban, fagorgács eltávolítására, vagy semmilyen más okból sem, amikor a fűrész tárcsa forog. A forgó fűrész tárcsa kezéhez való közelsége lehet, hogy nem nyilvánvaló, és komoly sérülést okozhat.

Vágás előtt vizsgálja meg a munkadarabot. Ha a munkadarab meghajlott vagy megvetemedett, akkor a hajlott felület külsőjét erősítse a határoló vashoz. Mindig győződjön meg róla, hogy ne legyen rés a vágás vonala mentén a munkadarab, a határoló vas és a munkaasztal között. A meghajlott vagy megvetemedett munkadarabok elfordulhatnak vagy eltolódhatnak és vágáskor megakadhatnak a forgó fűrész tárcsán. A munkadarabon ne legyen szög vagy idegen tárgy.





**Ne használja addig a fűrész, amíg a munkasztalon a munkadarabon kívül bármi más, pl. szerszám, faforgács stb., van.** A forgó fűrészárcsa az apró hulladékhöz, a laza fadarabokhoz vagy egyéb tárgyakhoz érhet, és azokat nagy sebességgel elmozdíthatja.

**Egyszerre csak egy munkadarabot vágjon.** A halmozott munkadarabokat nem lehet megfelelően befogni, megtámasztani és a fűrészárcsára szorulhatnak vagy elmozdulhatnak vágás közben.

**Használat előtt biztosítsa, hogy a gérvágó fűrész vízszintes, szilárd felületre legyen helyezve.** A vízszintes, szilárd felület csökkenti annak kockázatát, hogy a gérvágó fűrész instabil legyen.

**Tervezze meg a munkát. Minden alkalommal, amikor a ferde- vagy gérvágási szög beállítását módosítja, győződjön meg arról, hogy a beállítható határoló vas a munkadarab megtámasztásához megfelelően van igazítva, és nem ütközik a fűrészárcsával vagy a védőrendszerrel.** Anélkül, hogy az eszközt „BE”-kapcsolná, és úgy, hogy a munkasztalon nincs rajta a munkadarab, vezesse át a fűrészárcsát és szimulálja a vágást. Így biztosíthatja, hogy ne legyen zavaró hatás, vagy a határoló vas átvágásának veszélye ne merüljön fel.

**Ha a munkadarab a munkasztal felső részénél hosszabb vagy szélesebb, biztosítson megfelelő támasztást, például munkaasztaltámasztást, fűrészbakot stb.** Ha a munkadarab hosszabb vagy szélesebb, mint a gérvágó fűrész munkasztala, akkor az nem biztos támaszték esetén elbillenhet. Ha a levágott darab vagy a munkadarab elbillen, akkor az felemelheti az alsó védőelemet vagy a forgó fűrészárcsa megdobhatja.

**Ne kérje másik ember segítségét a munkasztal megtöltése helyett vagy további támaszként.** A munkadarab nem stabil támasztéka a fűrészárcsa megakadást vagy a munkadarab eltolódását okozhatja a vágóművelet során, ami Önt vagy a segítő személyt a forgó fűrészárcsa felé húzhatja.

**A levágott munkadarab semmi esetre sem szorulhat vagy nyomódhat be a forgó fűrészárcsával szemben.** Ha beszorul, például hosszútűzővel, a levágott munkadarab a fűrészárcsa közé ékelődhet, és a gép erősen megdobhatja.

**A kerek alapanyagokhoz, például rudakhoz vagy csövekhez, mindig használjon bilincset vagy rögzítőelemet, amely a megfelelő támasztást szolgálja.** A rudak általában átfordulnak vágás közben, és ez a fűrészárcsa „harapását” okozza, a munkadarabot pedig a kezével együtt a fűrészárcsába húzza.

**Várja meg, amíg a fűrészárcsa a teljes sebességet eléri, mielőtt hozzáérne a munkadarabhoz.** Ez csökkenti a munkadarab megdobásának kockázatát.

**Ha a munkadarab vagy a fűrészlap elakad, kapcsolja „KI” a gérvágót. Várja meg, amíg az összes mozgó alkatrész megáll, és húzza ki a csatlakozódugót a konnektorból és/vagy vegye ki az akkumulátort. Azután távolítsa el a beragadt anyagot.** A beragadt munkadarabbal való folytatólagos fűrészeléskor elveszítheti a gérvágó irányítást, vagy kárt tehet benne.

**A vágás befejezése után oldja ki a kapcsolót, tartsa lefelé a fűrészfejet és várja meg, amíg a fűrészárcsa leáll, és csak ezután távolítsa el a munkadarabot.** A forgó tárcsa közelébe nyúlni veszélyes.

**Tartsa meg szilárdan a kézikart, amikor nem teljes vágást végez, vagy ha a kapcsolót azelőtt oldja ki, hogy a fűrészfej teljes alsoptionában lenne.** A fűrész fekézési művelete a fűrészfejet hirtelen lefele húzhatja, ami sérülésveszélyt okoz.

## BIZTONSÁGI UTASÍTÁSOK A FAVÁGÓ PENGÉHEZ

A fűrészárcsa és a gép használata előtt olvassa el figyelmesen a kézikönyvet és a használati utasítást.

A termék legyen jó állapotban, az orsó ne legyen deformálva és ne rezegjen.

Ne használja úgy a terméket, hogy a védőelemek nincsenek a helyükön. Tartsa a védőelemeket üzemképes és megfelelően karbantartott állapotban.

Biztosítsa, hogy a gépkezelő a biztonsági óvintézkedésekről, a termék beállításáról és működtetéséről megfelelő képzést kapjon.

A termék használatakor mindig viseljen védőeseműveget és hallásvédőt. Javasolt kesztyűt, strapabíró, csúszásmentes lábbelít és kötényt viselni.

Tartozék használata előtt tekintse meg a használati utasítást. A tartozékok nem rendeltetésszerű használata károkat okozhat, és növelheti a személyi sérülés kockázatát.

Csak a kézikönyvben szereplő, az EN 847-1 szabványnak megfelelő tárcsákat használjon.

Tartsa be a fűrészárcsán lévő maximális sebességet. Győződjön meg róla, hogy a fűrészárcsán jelölt sebesség legalább akkora, mint a fűrészén szereplő.

Mindig megfelelő méretű és alakú rúdfuratokkal rendelkező tárcsákat használjon. A fűrész rögzítőfelszereléséhez nem illeszkedő tárcsák nem központosan forognak, ami az irányíthatóság elvesztését okozza.

Ne használjon a javasoltnál nagyobb vagy kisebb átmérőjű tárcsákat. Ne illessze a tárcsát távtartókkal az orsóra.

Minden használat előtt ellenőrizze, hogy nem sérültek-e a fűrészárcsa fogai, illetve nem néznek-e ki rendellenesen. A sérült vagy kilazult fogak kirepülhetnek használat közben, és növelik a személyi sérülés kockázatát.

Ne használjon megrepedt vagy eltorzult fűrészárcsákat. Ne használjon sérült vagy deformált fűrészárcsákat.

Sérülés, deformáció, torzulás vagy repedés esetén dobja ki a fűrészárcsát; azt tilos javítani.

Ne használjon HSS tárcsákat.

Biztosítsa, hogy a fűrészárcsa megfelelően legyen felszerelve, használat előtt szorítsa meg biztosan a rúd anyáját (kb. 12 Nm meghúzási nyomaték).

A rögzítőcsavarokat és anyákat a megfelelő csavarkulccsal stb. kell megszorítani.

Tilos a csavarkulcsot kalapácsütésekkel kioldani vagy meghúzni.

Győződjön meg róla, hogy a tárcsa és a gallérok tiszták, és a szorítógyűrű rovatoktól oldalai hozzányomódjanak a tárcsához.

Győződjön meg róla, hogy a tárcsa a megfelelő irányban forog.

Munka előtt végezzen próbavágást kikapcsolt motorral, hogy ellenőrizhesse a fűrészlap helyzetét, a védőelemek működését más gépkalkatrésekhez képest, és a munkadarabot.

Soha ne hagyja felügyelet nélkül a gépet.

Működés közben ne kenjen kenőanyagot a pengére.

Soha ne tisztítsa le a gépet, és ne végezzen rajta karbantartást, amikor a gép működik, és a fej nincs a nyugalmi helyzetben.

Soha ne próbálja a gépet gyorsan leállítani a szerszámot beszorítva vagy a tárcsát bárminek nekinyomva, ilyenkor véletlen balesetek következhetnek be.

Karbantartás vagy fűrészárcsacsere előtt húzza ki a termék csatlakozódugóját a konnektorból, vagy vegye ki az akkumulátort.

Figyeljen oda a fűrészlap be- és kicsomagolására, a fűrészlap éles hegyei könnyen sérülést okozhatnak.

Használjon fűrészlaptartót vagy viseljen védőkesztyűt, ha fűrészlappal dolgozik.

A fűrészlapot az eredeti csomagolásában vagy más megfelelő csomagolásban tartsa és tárolja, száraz körülmények között, távol az olyan vegyszerektől, amelyek károsíthatnák.

## KIEGÉSZÍTŐ BIZTONSÁGI ÉS MUNKAUTASÍTÁSOK

Mindig biztonságosan rögzítse a munkadarabot.

Gondoskodjon arról, hogy a termék mindig stabil és biztos helyzetben legyen (pl. egy padhoz rögzítve).

Mindig viseljen fülvédőt. A fokozott zajhatás hosszú távon a hallás elvesztését eredményezheti.

A termék használatakor mindig viseljen védőeseműveget. A tárcsák és durva anyagok kezelésekor viseljen kesztyűt, ezenkívül csúszásmentes, strapabíró lábbelivel védje lábfejét a vágási területről levő munkadaraboktól.

Karbantartás vagy a termék tisztítása előtt húzza ki a termék csatlakozódugóját a konnektorból, vagy vegye ki az akkumulátort. Csak kikapcsolt állapotban csatlakoztassa a terméket a konnektorra.

A tápkábel társa távol a termék munkavezésműveletétől. A tápkábel ne legyen a kezelő lába alatt sem.

Soha ne nyúljon penge közelébe, kivéve, ha a tárcsa teljesen leállt.

EN
DE
FR
IT
ES
PT
NL
DA
NO
SV
FI
EL
TR
CS
SK
PL
HU
SL
LV
LT
ET
RU
BG
RO
MK
UK
AR







Használat előtt alaposan ellenőrizze a terméket, a kábelt és a dugót bármilyen sérülés vagy anyagfáradás szempontjából. A teljes termék javítását (beleértve a tápkábelt) csak hivatalos szervizközpont végezze.

Mindig használja a terméken a védőelemeket. Ne használja a terméket, ha a védőelemek nincsenek a helyükön, vagy nem megfelelően működnek.

Az alsó fűrészlárcsa védőeleme csak akkor legyen nyitva, ha a tárcsát a munkadarabhoz leengedi, és mindig szabadon kell tudni mozognia és automatikusan kell záródnia.

Mindig használjon a munkadarab-támasztáshoz hosszabbítórúdat és rögzítse azt a munka során.

Soha ne módosítsa a terméket vagy funkcióját. Ezzel veszélyeztetni a kezelő biztonságát.

Ne használjon repedt, sérült vagy deformált fűrészlárcsákat.

Ne használjon gyorsacélból készült fűrészpengéket.

Csak éles tárcsákat használjon. Cserélje le a tompa tárcsákat.

Mindig megfelelő méretű és alakú rúdformatokkal rendelkező tárcsákat használjon. A fűrész rögzítőkfelszereléséhez nem illeszkedő tárcsák nem központosan forognak, ami az irányíthatóság elvesztését okozza.

Csak a jelen kézikönyvben meghatározott, fagegmunkáló fűrészlárcsát használjon, amely megfelel az EN 847-1 szabványnak.

Csak a géphez mellékelt vagy a használati utasításban megjelölt gallérokat, alátéteket és anyákat használjon a fűrészlárcsa rögzítéséhez.

A vágandó anyaghoz megfelelő fűrészlárcsát kell választani. Soha ne használjon a kézikönyv rendeltetésszerű használat szakaszában megadott anyagoktól eltérő anyagokat.

Fontos, hogy a fűrészlárcsa túlhevítését és a műanyag megolvadását a vágás során elkerülje.

Lényeges, hogy a fűrészlárcsán megadott maximális sebességet betartsa, csak az eszközön szereplő sebességnek megfelelő vagy annál magasabb értéket tartalmazó fűrészlárcsát használjon.

A kopott vagy sérült lemezbeillesztést cserélje ki.

Munka előtt végezzen próbavágást kikapcsolt motorral, hogy ellenőrizhesse a fűrészlap helyzetét, a védőelemek működését más gépkatrészekhez képest, és a munkadarabot.

Amikor gérvágást, ferde vágást vagy összetett gérvágást végez, állítsa be a csúszó-vezetőléceket vagy az alsó vezetőléceket, hogy a fűrészlárcsától való megfelelő mozgásteret biztosítsa.

Kerülje a fűrészegység ellenőrzetlen elengedését teljesen leengedett helyzetben.

A termék szállításakor a fogantyúzárat mindig alkalmazni kell.

A terméket nullás gép- és ferdevágási szögben, valamint rögzített helyzetben tárolja. A fogantyút az alsó (biztonságos) helyzetben kell rögzíteni zárt védőelemekkel.

Ha a terméket járművel szállítja, állítsa a talpazatra, és rögzítse mozgás ellen.

A terméket csak az erre a célra biztosított fogantyúnál fogva emelje meg. Mindig két kézzel emelje fel a terméket.

A padló területén ne legyenek szabadon álló anyagok, például forgácsok és levágott darabok.

Ne vegye el a levágott darabokat vagy a munkadarab más részeit a vágási területről, amíg a termék működik és a fűrészfej nincs pihenőhelyzetben.

A hosszú munkadarabokat megfelelően alá kell támasztani. A fűrész munkakörnyezetéhez a munkadarab egésze hozzátartozik. A kezelőnek biztosítania kell, hogy erre a területre ne kerüljenek más személyek vagy tárgyak, amelyek munka közben elmozdíthatják a munkadarabot.

A termék használata során termelt por az egészségre káros lehet. Használjon porszivó rendszert, és viseljen megfelelő porvédő maszkot. A lerakódott port alaposan tisztítsa le porszívóval.

A csúszó-vezetőléceket esetleg be kell állítani a megfelelő házag biztosításához a ferde vagy összetett vágás előtt. Ellenőrizze, hogy a beállítás után a csúszó-vezetőléce rögzítőcsavarja szorosan meg van-e húzva.

A bilincs a fűrészlárcsa bármelyik oldalán felszerelhető és használható. Egyes műveletekben a bilincs zavarhatja a

fűrészlárcsa védőszerelvénnyét. Bármilyen vágási művelet előtt mindig győződjön meg arról, hogy semmi sem zavarja a fűrészlárcsa védőelemét, hogy csökkentse a súlyos személyi sérülés kockázatát.

**▲ FIGYELMEZTETÉS!** 70°-os gérvágás közben csak 0°-os ferdevágás megengedett.

A kiforgatható bővítőasztal három helyzetbe állítható a vágás típusától függően.

Ne állítsa a bővítőasztalokat kioldott helyzetekbe. Csak a három rögzített helyzet egyikét használja.

45°-nál nagyobb gérvágás esetén használja a kiforgatható bővítőasztalokat.

Ne cserélje ki a LED-et más típusúra. Javítást csak a gyártó vagy a márkaszerviz végezhet.

A termék kültéri használata esetén a gyártó 30 mA-nél megszakító RCD berendezés használatát javasolja.

A termék használata során a feszültségingadozások hatással lehetnek az ugyanazon az áramkörön lévő többi elektromos termékre vagy lámpára. A feszültségingadozások minimalizálásához csatlakoztassa a szerszámot 0,299 Ω-os impedanciájú áramforráshoz. További részletekért forduljon áramszolgáltatójához.

## ISMERJE A TERMÉKÉT

Lásd: 2 - 3. oldal.

1. Fogantyú, szigetelt fogófelület
2. Főkapcsoló
3. Kapcsolót rögzítő kar
4. LED-kapcsoló
5. Felső védőelem
6. Szénkefe
7. Tengelyrögzítő gomb
8. Fej rögzítőcsapja
9. Alsó védőelem
10. Csúszó-vezetőléce
11. Fix vezetőléce
12. Kiforgatható bővítőasztal
13. Asztal rögzítőgombja
14. Gérvágó rögzítőpecek áthidalógombja
15. Gérvágó rögzítőkar
16. Rögzítőrúd
17. Vágási mélység beállítócsavarja
18. Vágási mélység rögzítőanyaga
19. Vágási mélység középlemeze
20. Hordozó fogantyú
21. Imbuszkulcs
22. Ferdeszög rögzítőgombja
23. Ferdevágási skála
24. Forgóasztal
25. A gérskálát rögzítő csavarok
26. Porzsák
27. Csúszó-vezetőrúd rögzítőkarja
28. Csúszó-vezetőrúd rögzítőgombja
29. Ferdevágás rögzítőpecekének karja
30. Befogótág
31. Gérskála
32. LED-lámpa
33. Külső perem
34. Fűrészlárcsa
35. Körfűrészlap

## PÓTALKATRÉSZEK LISTÁJA

- PS254DBE: EN 847-1 gérvágó fűrész/  $\varnothing 254 \times \varnothing 30 \times 2,6 / 48T / HW / n \text{ max. } 7400 \text{ ford./perc}$  (3. oldal, 34. sz.)
- Körfűrészlap (3. oldal, 35. sz.)
- Szénkefe (2. oldal, 6. sz.)

## KARBANTARTÁS

Semmilyen módon ne módosítsa a terméket, és ne használjon a gyártó által nem jóváhagyott tartozékokat. Ezzel veszélyeztetheti saját vagy mások biztonságát.

Ne használja a terméket, ha bármelyik kapcsoló, védőelem vagy egyéb alkatrész nem rendeltetésszerűen működik. Profi javítás vagy beállítás céljából vigye vissza egy hivatalos szervizközpontba.

Ne módosítsa a beállításokat, amikor a fűrészlárcsa mozog.





Beállítások, olajozás vagy karbantartás mindig biztosítsa, hogy a termék ne csatlakozzon a konnektorhoz.

Minden használat előtt ellenőrizze a termék alkatrészeinek épségét. A termék kiváló működési állapotának fenntartásához azonnal cserélje ki a hibás alkatrészeket a gyártó által jóváhagyott pótalkatrészekre.

A kés éles és a vágás után forró lehet. A kés tisztítását rendkívüli óvatossággal végezze. A személyi sérülések elkerülése érdekében viseljen kesztyűt.

Rendszeresen portalanítsa a fűrész és tartozékait, különösen a mozgó alkatrészeket, beleértve a fűrészlárcsa védőelemét is. A por hatékony eltávolításához használjon kézikéfért vagy porszívót. Ne használjon sűrített levegőt.

Ne használjon oldószereket a műanyag alkatrészek tisztításakor. A legtöbb műanyag érzékeny különböző típusú kereskedelmi forgalomban kapható oldószerekre, és károsodhat a használatuktól. A kosz, szénpor stb. eltávolítására tiszta ruhát használjon.

Csak AEG tartozékokat és AEG pótalkatrészeket használjon. Ha olyan alkatrészeket kell kicserélni, amelyről nincs leírás, forduljon egy AEG szervizpartnerhez (lásd a garanciális helyek és szervizek listáját).

Szükség esetén megrendelheti a termék bontott nézetét. Adja meg a termék típusát és a címkére nyomtatott sorozatszámot, és rendelje meg a tervrajzot a helyi szerviznél vagy közvetlenül az alábbi elérhetőségen: Techronic Industries GmbH, Max-Eyth-Straße 10, 71364 Winnenden, Germany.

## SZIMBÓLUMOK

	A termék elindítása előtt olvassa el figyelmesen a használati utasítást.
	<b>VIGYÁZAT! FIGYELMEZTETÉS! VESZÉLY!</b>
	A termék karbantartása előtt húzza ki a csatlakozódugót a konnektorból.
	II. besorolású szerszám, dupla szigetelés
	Viseljen szemvédőt.
	Viseljen hallásvédőt.
	Ne tegye ki esőnek vagy nedves körülményeknek.
	Viseljen védőkesztyűt!
	Tartsa távol a kezét a vágási területtől és az éles fűrészlaptól.
	<b>VIGYÁZAT!</b> Ne nézzen a működésben lévő fényforrásba.
	Tárcsa forgásiránya

	Fűrészlap fogai
	Vágási szélesség
	Rúdfurat és tárcsaméret
	Csak fa vágásához
	Ferde vagy összetett vágások előtt állítsa be a csúszó-vezetőléc helyzetét.
	Az elektromos és elektronikus berendezések hulladékait ne ártalmatlanítsa válogatatlan települési hulladékként. Az elektromos és elektronikus berendezések hulladékait gyűjtse elkülönítve. A hulladékká vált fényforrásokat vegye ki a berendezésből. Lépjen kapcsolatba a helyi hatósággal vagy kereskedővel az újrahasznosításra vonatkozó útmutatásért és a gyűjtőállomásokkal kapcsolatos információkért. A helyi szabályozások szerint a kereskedők kötelesek lehetnek ingyen visszavenni az elektromos és elektronikus berendezések hulladékait. A hozzájárulása az elektromos és elektronikus berendezések hulladékainak újrafelhasználásához és újrafeldolgozásához segít csökkenteni a nyersanyagok iránti keresletet. Az elektromos és elektronikus berendezések hulladékai értékes és újrafeldolgozható anyagokat tartalmaznak, amelyek káros hatással lehetnek a környezetre és az emberi egészségre, ha nem környezetbarát módon ártalmatlanítják őket. A hulladékká vált berendezésből szükség esetén törölje a személyes adatokat.
	Feszültség
	Váltakozó áram
	Európai megfelelőségi jelölés
	Ukrán megfelelőségi jelölés
	Eurázsiai megfelelőségi jelzés

- 
- EN
- DE
- FR
- IT
- ES
- PT
- NL
- DA
- NO
- SV
- FI
- EL
- TR
- CS
- SK
- PL
- HU
- SL
- HR
- LV
- LT
- ET
- RU
- BG
- RO
- MK
- UK
- AR
- 



## SL PREVOD ORIGINALNIH NAVODIL

### DOLOČENI POGOJI ZA UPORABO

Kotna žaga je namenjena žaganju masivnega in lepljenega lesa, lesu podobnih materialov, s furnirju ali brez, ter plastike.

Kotna žaga smejo uporabljati izključno odrasle osebe, ki so podrobno seznanjene z navodili za uporabo in se zavedajo vseh tveganj in nevarnosti pri delu z žago.

Kotna žaga mora biti pritrjena v trdno in stabilno delovno podlago. Če podstavek ni trdno pritrjen, se celotna naprava med rezanjem lahko premakne, kar poveča možnost povzročitve hudih telesnih poškodb.

Kotna žaga je zasnovana za poševno in kotno rezanje. Zmogljivosti žage pri posameznih vrstah rezov so predstavljene v tehničnih specifikacijah v tem priročniku.

Kotno žago uporabljajte izključno v suhih prostorih z ustreznimi svetlobnimi pogoji in zadostnim prezračevanjem.

Kotna žaga je predvidena za uporabo s strani potrošnikov in se lahko uporablja samo, kot je opisano zgoraj, ter ni predvidena za noben drug namen.

Izdelka ne uporabljajte na noben način, ki ni predpisan za to napravo.

**⚠ OPOZORILO! Preberite vsa varnostna opozorila, risbe in tehnične podatke, priložene tem izdelkom.** Če ne upoštevate opozoril in navodil, lahko pride do električnega udara, ognja in/ali hudih poškodb.

Vsa opozorila in navodila shranite za poznejšo uporabo.

### VARNOSTNA NAVODILA ZA KOTNE ŽAGE

Kotne žage so predvidene za rezanje lesa ali lesu podobnih izdelkov; ne sme se jih uporabljati z brusilnimi diski za rezanje kovinskih materialov, kot so palice, drogovci, stebri itd. Prah, ki nastane pri brušenju, povzroči zatikanje gibljivih delov, na primer spodnjega ščitnika. Iskre, ki nastanejo pri brusilnem rezanju, ožgejo spodnji ščitnik, obrezovalni vstavek in druge plastične dele.

Vedno, ko je to mogoče, obdelovanca pritržite s sponami. Če obdelovanca podpirate z roko, jo morate vedno imeti vsaj 100 mm od katere koli strani rezila žage. Ne uporabljajte te žage za rezanje kosov, ki so premajhni, da bi jih lahko varno prželi ali držali z roko. Če roko položite preblizu rezila žage, se poveča nevarnost nastanka telesne poškodbe zaradi stika z rezilom.

Obdelovanec mora biti pri miru in pritržen, ali pa ga je treba potiskati ob zaščito in delovni pult. Obdelovanca ne približujte rezilu oziroma ga ne režite »prostorčno«. Nepritrjene ali premikajoče se obdelovanca lahko vrže v zrak z visoko hitrostjo in lahko vas poškodujejo.

Potisnite žago skozi obdelovanca. Žage ne vlecite skozi obdelovanca. Režite tako, da glavo žage dvignete in jo potegnete prek obdelovanca, ne da bi rezali, zaženete motor, potisnete glavo žage navzdol in potisnete žago skozi obdelovanca. Rezanje s potegom lahko povzroči, da se rezilo žage dvigne na vrh obdelovanca in grobo vrže sestav rezila proti operaterju.

Nikoli ne postavite roke na nameravano rezalno črto, niti pred niti za rezilo žage. Podpiranje obdelovanca s prekrizanimi rokami, tj. držanje obdelovanca desno od rezila žage z vašo levo roko ali obratno, je zelo nevarno.

Ne sežite za zaščito z nobeno roko bližje kot 100 mm od katere koli strani rezila žage, da bi odstranili žaganje ali iz katerega koli drugega razloga, če se rezilo vrti. Bližina vrtečega se rezila žage vaši roki morda ni samoumevna in lahko se hudo poškodujete.

Pred rezanjem preglejte obdelovanca. Če je obdelovanec ukrivljen ali zviti, ga vpnite tako, da je zunanja ukrivljena ploskev obrnjena proti zaščiti. Vedno se prepričajte, da vzdolž rezalne črte ni špranje med obdelovancem, zaščito in delovnim pultom. Ukrivljeni ali zviti obdelovanca se lahko opognejo ali premaknejo, kar povzroči zatikanje vrtečega se rezila žage med rezanjem. V obdelovancu ne sme biti žebelj ali tujkov.

Ne uporabljajte žage, dokler je na delovnem pultu orodje, žaganje in podobno. Majhne ostanke ali kose lesa oziroma druge predmete lahko ob stiku z vrtečim se rezilom vrže v zrak z visoko hitrostjo.

Režite samo enega obdelovanca naenkrat. Več obdelovancev, zloženih v skladovnico, ni mogoče ustrezno pržiti in se lahko med rezanjem primejo na rezilo ali pa se premaknejo.

Poskrbite, da kotno žago pred uporabo pritržite ali postavite na ravno, trdno delovno površino. Ravna in trdna delovna površina zmanjša tveganje, da bi kotna žaga postala nestabilna.

Načrtujte svoje delo. Ob vsaki spremembi nastavitve kota vogelnice ali zajere se prepričajte, da je nastavljen zaščita pravilno nastavljen, da lahko podpira obdelovanca in ne bo motila rezila ali zaščitnega sistema. Ne da bi vklopili orodje in brez obdelovanja na delovnem pultu premaknite rezilo žage prek popolnega simuliranega reza, da se ne pripravite, da ne bo moten ali nevarnosti rezanja zaščite.

Če je obdelovanec daljši od delovnega pulta, uporabite ustrezno podporo, na primer podaljške delovnega pulta, kose za žaganje itd. Če so obdelovanca daljši ali širši od delovnega pulta kotne žage, se lahko prevrnejo, če niso varno podprti. Če se odžagani kos ali obdelovanec prevrne, lahko dvigne spodnji ščitnik ali pa ga vrteče se rezilo vrže v zrak.

Ne uporabljajte druge osebe kot nadomestek za podaljšek delovnega pulta ali dodatno podporo. Nestabilno podprt obdelovanec lahko povzroči sprijemanje rezila ali premikanje obdelovanca med rezanjem, kar lahko vas ali pomočnika potegne v vrteče se rezilo.

Odrezan kos ne sme biti zataknen ali na kakršen koli način potisnjen ob vrteče se rezilo žage. Če je odžagani kos pritrjen, npr. z uporabo omejevalnikov dolžine, se lahko zatakne v rezilo in ga grobo vrže v zrak.

Vedno uporabljajte spono ali pritrdilne elemente, ki so ustrezno oblikovani za podpiranje okroglega materiala, na primer palic ali cevi. Palice se med rezanjem rade vrtijo, zaradi česar rezilo »grize« in vašo roko potegne k rezilu.

Rezilo naj pred stikom z obdelovancem doseže polno hitrost. S tem se zmanjša tveganje metanja obdelovanca v zrak.

Če se obdelovanec ali rezilo zagodijo, kotno žago izklopite. Počakajte, da se vsi gibljivi deli zaustavijo, nato izvlecite vtič iz električne vtičnice in/ali odstranite akumulatorski vložek. Nato sprostite zataknen material. Če se obdelovanec zagodijo, lahko z nadaljnjim žaganjem izgubite nadzor ali poškodujete kotno žago.

Po dokončanju reza sprostite stikalo, držite glavo žage navzdol in počakajte, da se rezilo ustavi, in šele nato odstranite odrezan kos. Seganje z roko proti rezilu, ki se še vedno vrti, je nevarno.

Ob izvajanju nevarnega reza ali sprostitvi stikala, preden je glava žage v povsem navzdol obrnjenem položaju, trdno držite ročaj. Zaviranje žage lahko povzroči nenaden poteg glave žage navzdol, kar lahko privede do telesne poškodbe.

### VARNOSTNA NAVODILA ZA REZILLO ZA LES

Pred uporabo rezila žage in naprave pazljivo preberite priročnik ter navodila.

Izdelek mora biti v dobrem stanju, vreteno ne sme biti deformirano in ne sme vibrirati.

Ne uporabljajte izdelka brez nameščenih in jhit ustrezno. Ščitnike vzdržujte v dobrem delovnem stanju in jih ustrezno vzdržujte.

Poskrbite, da je operater ustrezno usposobljen iz varnostnih previdnostnih ukrepov, nastavljanja in uporabe izdelka.

Med uporabo izdelka vedno nosite očala in zaščito ušes.

Priporočamo, da nosite rokavice, močne čevlje, ki ne drsijo, in predpasnik.

Pred uporabo dodatkov glejte priročnik z navodili. Nepravilna uporaba dodatka lahko povzroči materialno škodo in poveča nevarnost povzročitve telesnih poškodb.

Uporabljajte le rezila, navedena v tem priročniku, ki so v skladu s standardom EN 847-1.

Upošteвайте največjo hitrost, navedeno na rezilu žage. Poskrbite, da je hitrost, navedena na rezilu žage, vsaj enaka hitrosti, navedeni na žagi.

Vedno uporabljajte rezila s pravilno velikostjo in obliko luknje za vreteno. Rezila, ki se ne ujemajo z montažnimi deli žage, se ne bodo pomikala centrirano, kar bo povzročilo izgubo nadzora.



Ne uporabljajte rezil večjega ali manjšega premera od priporočenega. Ne uporabljajte distančnikov za zagotovitev prileganja rezila na vreteno.

Pred vsako uporabo preverite, ali so konice rezila žage poškodovane ali neobičajnega videza. Poškodovane ali zrahljane konice lahko med uporabo poletijo v zrak in povečajo nevarnost povzročitve telesnih poškodb.

Ne uporabljajte počenih ali ukrivljenih rezil žage. Ne uporabljajte poškodovanih ali deformiranih rezil žage.

Poškodovano, deformirano, ukrivljeno ali počeno rezilo žage zavrzite; popravljanje ni dovoljeno.

Ne uporabljajte rezil HSS.

Poskrbite, da je rezilo žage pravilno nameščeno; pred uporabo dobro privijte vretenasto matico (navor privitja pribl. 12 Nm).

Pritrdilni vijak in matice je treba priviti z ustreznim ključem itd.

Uporaba podaljškov ključev ali privijanje z udarci kladiva ni dovoljeno.

Prepričajte se, da so rezilo in prirobnice čiste, umaknjene strani ovratnika pa ob rezilu.

Prepričajte se, da se rezilo vrti v pravilno smer.

Pred delom izvedite navidezen rez brez vklopljenega motorja, da preverite položaj rezila, delovanje ščitnikov glede na druge dele naprave in odстранite akumulator.

Izdelka nikoli ne pustite brez nadzora.

Ne nanašajte maziva na delujoče rezilo.

Nikoli ne izvajajte čiščenja ali vzdrževanja, ko naprava še vedno deluje in glava ni v neaktivnem položaju.

Delujoče naprave nikoli ne poskušajte ustaviti tako, da bi rezilo zagodilo z orodjem na drugim predmetom. Na ta način lahko nenamerno povzročite hude telesne poškodbe.

Pred menjavo rezila ali vzdrževanjem žago obvezno izklopite iz napajanja ali odstranite akumulator.

Med parkiranjem in odpakiranjem rezila bodite previdni, saj se z ostrimi rezili zlahka poškodujete.

Za rokovanje z rezilom žate uporabite prijemalo ali si nadenite zaščitne rokavice.

Rezilo spravite in shranite v originalni embalaži ali drugi primerni embalaži; shranjujte ga na suhem in stran od kemikalij, ki bi lahko poškodovale rezilo.

## DODATNA NAVODILA ZA VARNOST IN DELO

Obdelovanca vedno varno in zanesljivo vpnite.

Poskrbite, da je izdelek vedno stabilen in varen (npr. pritrjen na delovni pult).

Vedno nosite ščitnike za ušesa. Izpostavljenost hrupu lahko povzroči izgubo sluha.

Med uporabo izdelka vedno nosite varnostna očala. Priporočamo, da med ravnanjem z rezili in grobim materialom nosite rokavice, in tudi močne čevlje, ki ne drsijo, da zaščitite noge pred obdelovanci, ki bi lahko padli iz območja rezanja.

Pred vzdrževanjem ali čiščenjem izdelka izklopite izdelek iz napajanja ali odstranite akumulator.

Izdelek vklopite v omrežno napajanje le, ko je izklopljen.

Napajalni kabel napeljite izven delovnega območja izdelka. Napeljite ga izven območja, v katerem stoji operater.

Nikoli ne segajte v območje v bližini rezila, razen če se je rezilo povsem ustavilo.

Pred uporabo temeljito pregledajte izdelek, kabel in vtič, da odkrijete morebitne poškodbe ali utrujenost materiala. Celoten izdelek, vključno z napajalnim kablom, lahko popravljajo le na pooblaščenem servisu.

Vedno uporabljajte ščitnike izdelka. Ne uporabljajte izdelka, če ščitniki niso nameščeni ali ne delujejo pravilno.

Spodnji ščitnik rezila bi se moral odpreti šele, ko se rezilo približa obdelovancu, in se mora vedno neovirano premikati ter se samodejno zapirati.

Med delom vedno namestite in uporabljajte podaljševalne palice za podporo obdelovanca.

Nikoli ne spreminjajte ali prilagajajte izdelka oziroma njegovega delovanja. S tem lahko ogrozite svojo varnost.

Ne uporabljajte počenih, poškodovanih ali deformiranih rezil žage.

Ne uporabljajte rezil žage, izdelanih iz visokohitrostnega jekla.

Uporabljajte izključno ostra rezila. Skrhana rezila zamenjajte.

Vedno uporabljajte rezila s pravilno velikostjo in obliko luknje za vreteno. Rezila, ki se ne ujemajo z montažnimi deli žage, se ne bodo pomikala centrirano, kar bo povzročilo izgubo nadzora.

Uporabljajte le rezila za obdelavo lesa, navedena v tem priročniku, ki so v skladu s standardom EN 847-1.

Za pritrževanje rezila žage uporabljajte izključno priložene prirobnice, podložke in matice, oziroma tiste, ki so navedene v priročniku z navodili.

Izbrati je treba rezilo žage, ki je primerno za material, ki ga režete. Nikoli ne uporabljajte izdelka za rezanje materialov, ki niso navedeni v razdelku »Predvidena uporaba« v tem priročniku.

Med rezanjem je pomembno, da se prepreči pregretje rezila in taljenje plastike.

Nujno je treba upoštevati najvišjo hitrost, navedeno na rezilu žage; uporabljajte le rezila žag, na katerih je navedena hitrost, ki je enaka ali višja od hitrosti, navedene na orodju.

Obrahljen ali poškodovan namizni vstavek zamenjajte.

Pred delom izvedite navidezen rez brez vklopljenega motorja, da preverite položaj rezila, delovanje ščitnikov glede na druge dele naprave in obdelovanca.

Med izvajanjem zajernih, poševnih ali sestavljenih zajernih rezov nastavite drsno zaščito ali pomožno zaščito, da zagotovite ustrezen razmik od rezila.

Preprečite nenadzorovano sprostitve enote žage iz skrajnega spodnjega položaja.

Med prevozom izdelka mora biti zaklep ročaja vedno aktiviran.

Izdelek je treba shraniti tako, da sta zajerni in poševni kot nastavljeni na nič stopinj in zaklenjena v tem položaju. Ročaj mora biti zaklenjen v spodnjem (varnem) položaju, ščitniki pa morajo biti zaprti.

Izdelek med prevozom z vozilom namestite na podstavek in zavarujte pred premikanje.

Izdelek med dviganjem držite izključno za ročaje, ki so predvideni za ta namen. Izdelek vedno dvigujte z obema rokama.

Poskrbite, da tla niso prekrita z odpadlim materialom, kot so odkruški in odrezki.

Odrezkov ali drugih delov obdelovanca ne odstranjujte iz območja žaganja, ko izdelek deluje in glava žage ni v pospravljenem položaju.

Dolge obdelovalce je treba ustrezno podpreti. Delovno območje žage vključuje celotno dolžino obdelovanca. Operater mora omenjeno območje zavarovati pred slučajnim dotikanjem drugih oseb ali predmetov, ki bi lahko povzročilo premik obdelovanca med delom.

Prah, ki nastaja med uporabo izdelka, lahko škoduje zdravju. Uporabljajte sistem za sesanje prahu in nosite ustrezno protiprašno masko. Nakopičen prah povsem odstranite s sesalnikom.

Morda je potrebno prilagoditi drsno pregrado, da se pred rezanjem stožca ali spoja zagotovi ustrezna oddaljenost. Poskrbite, da zaklepni vijak drsne pregrade po nastavitvi dobro privijete.

Spona se lahko namesti in uporablja na katerokoli stran rezila. Pri nekaterih vrstah uporabe lahko spona ovira sestav ščitnika rezila. Pred začetkom rezanja se vedno prepričajte, da ščitnik rezila ni oviran, da zmanjšate možnost povzročitve hudih telesnih poškodb.

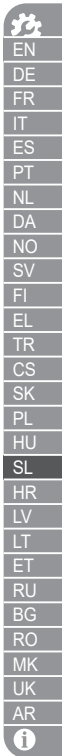
**⚠ OPOZORILO!** Ob rezanju zajernega kota 70° je dovoljen samo poševni kot 0°.

Vrtljive podaljševalne mize lahko nastavite v enega od treh položajev, odvisno od zelene vrste reza.

Podajševalnih miz ne nastavite v odklenjene položaje. Nastavite jih izključno v enega od zaklenjenih položajev.

Ob izvajanju zajernih rezov pod kotom, večjim od 45°, uporabljajte vrtljive podaljševalne mize.

Lučke LED ne zamenjajte z drugim tipom. Vsa popravila prepustite proizvajalcu ali pooblaščenemu serviserju.



Ob uporabi izdelka na prostem proizvajalec priporoča uporabo naprave RCD z nastavitvijo sprožitve 30 mA.

Med uporabo izdelka lahko nihanja napetosti vplivajo na druge električne izdelke ali razsvetljavo v istem napajalnem tokokrogu. Za minimiziranje nihanja napetosti orodje priključite na napajanje z uporom 0,299 Ω. Za dodatna pojasnila se obrnite na dobavitelja električne energije.

## SPOZNAJTE SVOJ IZDELEK

Glejte stran 2-3.

1. Ročaj, izolirano držalo
2. Stikalo za vklop
3. Vzvod za zaklepanje stikala
4. Stikalo LED
5. Zgornji ščitnik
6. Karbonska krtača
7. Gumb za zaklep vretena
8. Zaklepni zatič glave
9. Spodnji ščitnik
10. Drсна pregrada
11. Fiksna pregrada
12. Vrtljiva podaljševalna miza
13. Gumb za zaklepanje mize
14. Gumb za obvod ustavljača mitre
15. Ročica za zaklenitev mitre
16. Montažna luknja
17. Vijak za nastavljanje globine žaganja
18. Varnostna matica za globino žaganja
19. Ploščica za zaustavitev globine žaganja
20. Ročaj za prenašanje
21. Ključ inbus
22. Gumb za zaklenitev poševnega kota
23. Poševna lestvica
24. Vrtljiva ploščica
25. Vijaki za zaklepanje zajerne lestvice
26. Vrečka za prah
27. Omejitveni vzvod za dršno palico
28. Gumb za zaklepanje drsne palice
29. Vzvod ustavljača nagiba
30. Sponka
31. Lestvica mitre
32. Luč LED
33. Zunanja prirobnica
34. Rezilo žage
35. Obrezovalna ploščica

## SEZNAM NADOMESTNIH DELOV

- PS254DBE: Zajerna žaga EN 847-1/  $\varnothing 254 \times \varnothing 30 \times 2,6 / 48T / HW / n$  maks. 7400 min<sup>-1</sup> (stran 3. št. 34)
- Obrezovalna ploščica (stran 3. št. 35)
- Karbonska krtača (stran 2. št. 6)

## VZDRŽEVANJE

Izdelka na noben način ne prilagajajte in ne uporabljajte dodatkov, ki niso odobreni s strani proizvajalca. S tem lahko ogrozite svojo varnost in varnost drugih.

Izdelka ne uporabljajte, če stikala, ščitniki ali druge funkcije ne delujejo, kot je predvideno. Izdelek odnesite na pooblaščen servis, da izvedejo popravila ali nastavitve.

Ne izvajajte nastavitve, ko se rezilo žage premika.

Pred nastavljanjem, mazanjem ali vzdrževanjem izdelka se vedno prepričajte, da je izdelek izklopljen iz omrežnega napajanja.

Pred vsako uporabo preverite, ali je izdelek poškodovan oziroma ima pokvarjene dele. Dele redno menjajte z rezervnimi deli, odobrenimi s strani proizvajalca, da izdelek ohranite v najboljšem delovnem stanju.

Rezilo ima ostre robove, ki lahko po rezanju ostanejo vroči. Pri čiščenju izpostavljenega rezila bodite izjemno previdni. Nosite rokavice, da se zaščitite pred telesnimi poškodbami.

Z žage in dodatkov redno čistite prah, predvsem z gibljivih delov, vključno s ščitnikom rezila. Za učinkovito odstranjevanje prahu uporabite krtačo ali sesalec za prah. Ne uporabljajte stisnjenega zraka.

Plastičnih delov ne čistite s topli. Večina vrst plastike je občutljiva na razne vrste komercialnih topil, zato se lahko ob njihovi uporabi

poškoduje. Umazanijo, karbonski prah in podobno odstranite s čisto krpo.

Uporabljajte samo dodatke AEG in rezervne dele AEG. Če je treba zamenjati dele, ki niso opisani, se obrnite na enega od servisov družbe AEG (glejte seznam naslovov za uveljavljanje garancije/servisov).

Po potrebi lahko naročite eksplozijski pogled izdelka. Navedite vrsto izdelka in serijsko številko, natisnjeno na oznaki, ter naročite načrt pri lokalnem servisnem agentu ali neposredno na: Techtronic Industries GmbH, Max-Eyth-Straße 10, 71364 Winnenden, Germany.

## SIMBOLI

	Pred zagonom izdelka pazljivo preberite navodila.
	POZOR! OPOZORILO! NEVARNOST!
	Pred izvajanjem kakršnihkoli del na izdelku iztaknite vtič iz napajalne vtičnice.
	Orodje razreda II, dvojna izolacija
	Nosite zaščito oči.
	Nosite ščitnike za ušesa.
	Izdelka ne izpostavljajte dežju oziroma ga ne uporabljajte na mokrih mestih.
	Nosite zaščitne rokavice.
	Z rokami ne segajte v območje žaganja in ostrega rezila.
	POZOR! Ne glejte v delujočo luč.
	Smer vrtenja rezila.
	Zobje rezila
	Širina reza
	Luknja za vreteno in velikost rezila
	Samo za rezanje lesa





Pred rezanjem stožcev ali spojev prilagodite položaj drsne pregrade.



Odpadne električne in elektronske opreme ne odlagajte med nesortirane gospodinjne odpadke.

Odpadno električno in elektronsko opremo je treba zbirati ločeno.

Odpadne svetlobne vire je treba odstraniti iz opreme.

Glede recikliranja in zbirališča se posvetujte z lokalnim organom ali prodajalcem.

Skladno z lokalnimi predpisi morajo trgovci na drobno odpadno električno in elektronsko opremo morda brezplačno prevzeti.

Vaš prispevek k ponovni uporabi in recikliranju odpadne električne in elektronske opreme pomaga zmanjšati zahteve po surovinah.

Odpadna električna in elektronska oprema vsebuje dragocene materiale in materiale, ki jih je mogoče reciklirati, in lahko v primeru, da se ne odložite na način, skladen z okoljem, negativno vplivajo na okolje in zdravje ljudi.

Če so v odpadni opremi shranjeni osebni podatki, jih izbrišite.

V

Napetost

~

Izmenični tok



Evropski znak skladnosti



Ukrajinski znak skladnosti



EurAsian oznaka o skladnosti

## HR PRIJEVOD ORIGINALNIH UPUTA

### SPECIFICIRANI UVJETI KORIŠTENJA

Potezno-preklopna pila namijenjena je piljenju punog i prešanog drva, materijala sličnih drvu, s lijepljenim furnirom i plastikom ili bez njih.

Potezno-preklopnu pilu smiju upotrebljavati samo punoljetne osobe koje su pročitale upute za korištenje i razumjele rizike i opasnosti.

Potezno-preklopna pila osmišljena je tako da se njeno postolje učvrsti za stabilnu radnu površinu. Ako postolje nije sigurno pričvršćeno, cijeli uređaj se može pomaknuti za vrijeme rezanja, što povećava mogućnost izazivanja ozbiljnih osobnih ozljeda.

Potezno-preklopna pila projektirana je za izradu kosih i kutnih rezova. Kapaciteti za različite rezove navedeni su u specifikacijama proizvoda u ovom priručniku.

Potezno-preklopna pila mora se koristiti u suhim uvjetima, pod odličnim osvjetljenjem i uz odgovarajuću ventilaciju.

Potezno-preklopna pila namijenjena je za korištenje od strane potrošača samo onako kako je prethodno opisano i nije namijenjena za bilo koju drugu svrhu.

Nemojte koristiti proizvod na bilo koji drugi način od onog za koji je namijenjen.

**⚠ UPOZORENJE! Pročitajte i pregledajte sve sigurnosne upute, slike i specifikacije isporučene uz ovaj proizvod.** Nepoštivanje svih uputa može dovesti do električnog udara, požara i / ili teške ozljede.

**Sva upozorenja i upute sačuvajte za buduću upotrebu.**

### SIGURNOSNE UPUTE ZA POTEZNO-PREKLOPNE PILE

Potezno-preklopne pile namijenjene su rezanju drva ili drvenih proizvoda, ne mogu se koristiti s abrazivnim diskovima za rezanje željeznim metala kao što su poluge, šipke, svornjaci itd. Abrazivna prašina uzrokuje zaglavlivanje pokretnih tijelova poput donjeg štitnika. Iskre nastale tijekom abrazivnog rezanja spalit će donji štitičnik, umetak propiljka i ostale plastične dijelove.

**Kad god je to moguće, koristite stegu kako biste poduprli obradak.** Ako obradak pridržavate rukom, ruku uvijek morate držati na udaljenosti od najmanje 100 mm od lista pile sa svake strane. Ovu pilu ne koristite za rezanje obradaka koji su premali za sigurno stezanje ili držanje rukom. Ako se vaša ruka nalazi preblizu listu pile, postoji povećan rizik od ozljede nastale u doticaju s listom pile.

**Obradak mora biti nepokretan i stegnut ili zadržan kako na graničniku tako i na stolu.** Obradak ne usmjeravajte na list pile i ne režite ga "slobodnom rukom" na bilo koji način. Obraci koji nisu stegnuti ili koji se pomiču mogu izletjeti velikom brzinom, uzrokujući ozljedu.

**Pilu gurajte kroz obradak. Pilu nemojte povlačiti kroz obradak.** Kako biste napravili rez, podignite glavu pile i povucite je prema van iznad obratka bez rezanja, pokrenite motor, pritisnite glavu pile prema dolje i gurnite pilu kroz obradak. Rezanje putem povlačenja vjerojatno će prouzročiti podizanje lista pile na vrh obratka i silovito odbaciti sklop lista pile prema rukovatelju.

**Nikada ne stavljajte ruku preko zadane linije rezanja bilo ispred bilo iza lista pile.** Podupiranje obratka "prekriženih ruku" tj. držanje obratka na desnoj strani lista pile lijevom rukom ili obratno je vrlo opasno.

**Dok se oštrica okreće, ne posežite rukom iza graničnika bilo kojom rukom bliže od 100 mm sa svake strane lista pile kako biste uklonili ostatke drva ili zbog bilo kojeg razloga.** Blizina oštrice pile koja se vrti pokraj vaše ruke možda neće biti očita i možete se teško ozlijediti.

**Pregledajte svoj graničnik prije rezanja.** Ako je obradak ispuščen ili izviteropen stegnuta ga tako da je vanjska ispušćena površina okrenuta prema štitičniku. Uvijek se uvjerite da između obratka, graničnika i stola nema procijepa uzduž linije rezanja. Savijeni ili izviteropeni obraci mogu se uvijati ili pomaknuti i mogu prouzročiti savijanje rotirajućeg lista pile tijekom rezanja. U obratku ne smije biti čavala ili stranih tijela.

**Ne koristite pilu sve dok se sa stola ne makne sav alat, otpaci drva itd. osim obratka.** Male krhotine ili otpali komadi drva ili drugi predmeti koji dođu u doticaj s rotirajućim listom mogu izletjeti velikom brzinom.

**Režite samo jedan po jedan obradak.** Više nagomilani obradaci nije moguće prikladno zategnuti ili pričvrstiti i može doći do njihovog kvaćenja za list pile ili do pomaka tijekom rezanja.

**Prije uporabe potezno-preklopne pile, uvjerite se da se nalazi na ravnom čvrstom tlu.** Ravna i čvrsta radna površina smanjuje rizik od nestabilnosti potezno-preklopne pile.

**Planirajte svoj rad.** Svaki puta kada promijenite postavku kosine ili kuta rezanja, uvjerite se da je podvisivi graničnik pravilno namješten za podupiranje obratka i da neće ometati list pile ili sustav štitičnika. Bez uključivanja alata i stavljanja postavke na "ON" ("UKLJUČENO") i bez obratka na stolu, list pile pomaknite kroz potpuno simulirani rez kako biste bili sigurni da neće biti smetnji ili opasnosti od rezanja graničnika.

**Za obradak koji je širi ili dulji od površine stola osigurajte odgovarajuće potpore poput produžetaka stola, stalaka za piljenje itd.** Obraci koji su dulji ili širi od stola potezno-preklopne pile mogu se prevrnuti ako nemaju dobar oslonac. Ako se odrezani komad ili obradak prevrne, on može podići donji štitičnik ili ga može izbaciti rotirajući list pile.



EN

DE

FR

IT

ES

PT

NL

DA

NO

SV

FI

EL

TR

CS

SK

PL

HU

SL

HR

LV

LT

ET

RU

BG

RO

MK

UK

AR

!





**Nemojte koristiti druge ljude kao zamjenu za produžetak stola ili kao dodatni oslonac.** Nestabilna potpora za obradak može prouzročiti kvaćenje ili pomak obratka tijekom postupka rezanja, što vas ili pomagača može povući prema rotirajućem listu pile.

**Odrezani komad ne smije se zaglaviti ili ni na koji način pritisnuti rotirajući list pile.** Ako se nalazi u skućenom prostoru, tj. ako se zaustavlja zbog duljine, odrezani komad može se zabiti u list i biti silovito odbačen.

**Uvijek koristite stegu ili okvir osmišljen za pravilno podupiranje zaobljenih materijala, kao što su šipke ili cijevi.** Šipke su sklone rotiranju za vrijeme rezanja, što uzrokuje zapinjanje ("zagriz") lista pile i povlačenje vaše ruke na oštricu.

**Pustite da list pile postigne punu brzinu prije dolaska u dotiča s obradkom.** Time će se smanjiti rizik od izbacivanja obratka.

**Ako se obradak ili list pile zaglave, isključite potezno-preklopnu pilu. Pričekajte da se svi pokretni dijelovi zaustave, a zatim izvucite utikač iz izvora napajanja i/ili izvadite baterijski sklop. Zatim radite na oslobađanju zaglavljeno materijala.** Nastavite li piliti sa zaglavljenim obradkom moglo bi doći do gubitka nadzora nad potezno-preklopnom pilom ili do njezinog oštećenja.

**Nakon što završite s rezanjem, pustite prekidač, držite glavu pile okrenutu prema dolje i pričekajte da se list pile zaustavi prije skidanja odrezanog komada.** Stavljanje ruku blizu lista pile u pokretu je opasno.

**Čvrsto držite ručku tijekom nepotpunog rezanja ili dok puštate prekidač prije nego što se glava pile potpuno spusti u donji položaj.** Kočno djelovanje pile može prouzročiti naglo povlačenje glave pile prema dolje, stvarajući rizik od ozljede.

### SIGURNOSNE UPUTE ZA OŠTRICU ZA REZANJE DRVA

Molimo vas da prije korištenja lista pile i stroja pažljivo pročitate priručnik i upute.

Proizvod mora biti u dobrom stanju, vreteno ne smije biti deformirano i ne smije vibrirati.

Ne koristite proizvod ako štitnici nisu na svom mjestu. Štitnike držite u dobrom radnom stanju i primjereno ih održavajte.

Uvjerite se da je rukovatelj prošao odgovarajuću obuku za primjenu mjera opreza, podešavanje i rad s proizvodom.

Prilikom korištenja proizvoda uvijek nosite naočale i zaštitu za uši. Preporučuje se korištenje rukavica, otporne protuklizne obuće i pregače.

Prije korištenja bilo kakvog pribora, pogledajte priručnik s uputama. Nepravilno korištenje nekog pribora može prouzročiti oštećenja i povećati mogućnost nastanka ozljeda.

Koristite samo listove pile navedene u ovom priručniku, usklađene s normom EN 847-1.

Pridržavajte se maksimalne brzine označene na listu pile. Uvjerite se da je brzina označena na listu pile barem jednaka brzini čija se oznaka nalazi na pili.

Uvijek koristite listove pile odgovarajuće veličine i oblika otvora steznih trnova. Oštrice koje se ne poklapaju s montažnom strojnom opremom pile kretat će se ekscentrično, uzrokujući gubitak nadzora.

Ne koristite pile čije su oštrice većeg ili manjeg promjera od preporučenog. Ne koristite nikakve odstojnike kako biste oštricu postavili na vreteno.

Prije svake upotrebe provjerite ima li na vrhovima lista pile oštećenja i da li na njoj nešto izgleda neuobičajeno. Vrhovi koji su oštećeni ili labavi mogu izletjeti tijekom upotrebe i mogu povećati mogućnost tjelesnog ozljeđivanja.

Ne koristite napukle ili izobličene listove pile. Ne koristite listove pile koji su oštećeni ili deformirani.

List pile koji je oštećen, deformiran, savijen ili napukao odložite na otpad, njegovo popravljavanje nije dozvoljeno.

Ne koristite brzorezne listove pile (HSS).

Uvjerite se da je list pile pravilno montiran, dobro pritegnite maticu vretena prije upotrebe (pritezni moment od pribl. 12 Nm).

Pritezni vijak i matice trebaju se zatezati pomoću odgovarajućeg ključa, itd.

Produljivanje ključa ili pritezanje s pomoću udaraca čekićem nije dozvoljeno.

Uvjerite se da su list pile i pribornice čisti, a da su udubljene strane obujmice okrenute prema listu pile.

Uvjerite se da se list pile okreće u odgovarajućem smjeru.

Prije rada napravite lažni rez bez uključivanja motora, tako da namjestite list pile, rad štitnika u odnosu na ostale dijelove stroja, i da možete provjeriti obradak.

Proizvod nikada ne ostavljajte bez nadzora.

Na list pile nikada ne nanosite mazivo dok je u pokretu.

Nikada ne obavljajte nikakvo čišćenje niti radove održavanja dok uređaj još radi, a glava nije u položaju mirovanja.

Nikada ne pokušavajte zaustaviti uređaj u pokretu tako što ćete zaglaviti alat ili druga sredstva pritiskom na list pile, na taj način nenamjerno može doći do teških nesreća.

Prije mijenjanja listova pile ili izvođenja radova održavanja, odvojite proizvod od izvora napajanja ili izvadite baterijski sklop.

Pazite prilikom pakiranja i raspakiranja listova pile, lako je ozlijediti se oštrim vrhovima oštrice.

Priilikom rukovanja listovima pile koristite držač listova ili nosite rukavice.

List pile držite i čuvajte u originalnom ili drugom prikladnom pakiranju, držite u suhim uvjetima i podalje od kemikalija koje mogu oštetiti list pile.

### DODATNE INFORMACIJE O SIGURNOSTI I RADU

Obradak uvijek stegnite čvrsto i na siguran način.

Pobrinete se da je proizvod uvijek stabilan i učvršćen (npr. pričvršćen za radni stol).

Uvijek nosite štitnike za uši. Izlaganje buci može izazvati gubitak sluha.

Priilikom korištenja proizvoda uvijek nosite sigurnosne naočale. Preporučuje se da prilikom rukovanja listovima pile i neobrađenim materijalom uvijek nosite rukavice, kao i čvrstu protukliznu obuću kako biste zaštitili stopala od obradaka koji mogu ispasti iz područja za rezanje.

Proizvod odvojite od izvora napajanja ili izvadite baterijski sklop prije svakog održavanja ili čišćenja proizvoda.

Na mrežno napajanje priključite se tek nakon što je proizvod isključen.

Vod mrežno napajanje držite podalje od radnog dometa proizvoda. Držite ga izvan područja u kojem stoji rukovatelj.

Nikada ne posežite u područje u blizini lista pile osim ako list pile nije potpuno zaustavljen.

Prije korištenja proizvod temeljito pregledajte proizvod i potražite znakove bilo kakvih oštećenja ili zamora materijala. Popravke na cijelom proizvodu, uključujući kabel napajanja, treba obavljati samo ovlašteni servisni centar.

Na proizvodu uvijek koristite štitnike. Ne koristite proizvod ako štitnici nisu na mjestu i ako ne rade pravilno.

Donji štitnik lista pile treba se otvoriti samo kada se list pile spusti prema obratku i uvijek se mora micati slobodno i automatski zatvarati.

Uvijek učvrstite i koristite produžne šipke kao oslonac obratka tijekom rada.

Nikada ne mijenjajte proizvod ili njegovu funkciju. Ako to učinite, vaša bi sigurnost mogla biti ugrožena.

Ne koristite listove pile koji su napukli, oštećeni ili deformirani.

Ne koristite listove pile izrađene od brzoreznog čelika.

Koristite samo listove pile koji su oštri. Zamijenite tupe listove pile.

Uvijek koristite listove pile odgovarajuće veličine i oblika otvora steznih trnova. Oštrice koje se ne poklapaju s montažnom strojnom opremom pile kretat će se ekscentrično, uzrokujući gubitak nadzora.

Koristite samo listove pile za obradu drva navedene u ovom priručniku, sukladno normi EN 847-1.

Ne koristite nikakve pribornice, podložne niti matice da biste pričvrstili list pile osim onih koji su dostavljene ili navedene u priručniku s uputama.

Potrebno je izabrati list pile koji je prikladan za materijal koji se reže. Proizvod nikada nemojte koristiti za rezanje materijala koji nisu navedeni u odjeljku o predviđenoj namjeni u ovom priručniku.





Prilikom rezanja je važno spriječiti pregrijavanje lista pile i topljenje plastike.

Bitno je pridržavati se maksimalne brzine navedene na listu pile, koristite samo list pile na kojem se nalazi oznaka brzine koja je jednaka ili veća od brzine označene na alatu ili veća od nje.

Zamijenite umetak stola kada je istrošen ili oštećen.

Prije rada napravite lažni rez bez uključivanja motora, tako da namjestite list pile, rad štitnika u odnosu na ostale dijelove stroja, i da možete provjeriti obradak.

Prilikom rezanja kutnih, kosih ili složenih rezova, namjestite klizni graničnik kako biste osigurali odgovarajući razmak od lista pile.

Izbjegavajte nekontrolirano otpuštanje jedinice pile iz potpuno donjeg položaja.

Blokada ručice uvijek mora biti aktivirana tijekom prenošenja proizvoda.

Proizvod se mora čuvati pri nultom stupnju kosog reza i kosine i blokiran na mjestu. Ručka se treba blokirati u donjem (sigurnom) položaju sa zatvorenim štitnicima.

Prilikom prevoženja u vozilu, proizvod postavite na njegovo postolje i pričvrstite tako da se ne miče.

Proizvod držite samo držeći ga za ručke namijenjene za tu svrhu. Proizvod uvijek držite s dvije ruke.

Površinu poda očistite od rastresitih materijala, kao što su krotine i ostaci od rezanja.

Suzdržite se od uklanjanja bilo kakvih ostataka od rezanja ili drugih dijelova obratka s površine za rezanje dok proizvod radi, a glava pile nije u položaju mirovanja.

Dugi radni komadi moraju biti poduprti na odgovarajući način. Radno područje pile proteže se cijelom duljinom obratka.

Rukovatelj treba osigurati ovo područje kako ne bi došlo do slučajnog kontakta s drugim osobama ili predmetima koji bi mogli pomaknuti obradak tijekom rukovanja.

Pršina koja nastaje tijekom korištenja proizvoda može biti štetna za zdravlje. Koristite sustav za usisavanje prašine i nosite prikladnu masku za zaštitu od prašine. Nataloženu prašinu temeljito uklonite usisavačem.

Možda će biti potrebno prilagoditi kliznu ogradu kako bi se osigurao odgovarajući razmak prije obavljanja kutnog ili složenog rezanja. Uvjerite se da je sigurnosni vijak klizne ograde dobro pritegnut nakon prilagodbe.

Stega se može instalirati i koristiti na bilo kojoj strani lista. Prilikom nekih operacija, stega može ometati sklop štitnika lista. Uvijek se uvjerite da nije došlo do ometanja štitnika lista prije početka bilo koje operacije rezanja kako bi se smanjio rizik od tjelesne ozljede.

**⚠ UPOZORENJE!** Prilikom obavljanja reza pod kutom od 70°, dozvoljen je samo kut nagiba od 0°.

Okretni produžni stolovi mogu se postaviti u jedan od tri položaja, ovisno o željenoj vrsti reza.

Produžne stolove ne postavljajte u deblokirane položaje. Postavljajte ih samo u jedan od tri blokirana položaja.

Okretne produžne stolove koristite kada izvodite rezove pod kutom većim od 45°.

LED lampicu ne mijenjajte rasvjetom drugog tipa. Sve popravke mora izvršiti isključivo proizvođač ili ovlašteni serviser.

Prilikom korištenja proizvoda na otvorenom, proizvođač preporučuje korištenje uređaja za rezidualnu struju (RCD) s vrijednošću aktiviranja od 30 mA.

Prilikom korištenja proizvoda, fluktuacije napona mogu utjecati na druge električne proizvode ili rasvjetu na istom strujnom krugu. Alat spojite na izvor napajanja s impedancijom jednakom 0,299 Ω kako biste fluktuacije napona sveli na najmanju moguću mjeru. Kontaktirajte svojeg dobavljača električne energije kako biste dobili dodatna objašnjenja.

## UPOZNAJTE SVOJ PROIZVOD

Pogledajte stranicu 2-3.

1. Drška, izolirana površina za hvatanje
2. Prekidač za paljenje
3. Ručica za blokiranje
4. LED prekidač
5. Gornji štitnik
6. Ugljična četka

7. Gumb za blokiranje vretena
8. Osigurač glave
9. Donji štitnik
10. Klizna ogradna
11. Fiksna ogradna
12. Rotirajući produžni stol
13. Gumb za blokiranje stola
14. Gumb za zaoblavanje zapiraca kuta
15. Poluga za fiksiranje kuta
16. Montažni otvor
17. Vijak za podešavanje dubine rezanja
18. Sigurnosna matica za određivanje dubine rezanja
19. Zauzastavna pločica dubine rezanja
20. Ručka za nošenje
21. Imbus ključ
22. Okretni gumb za blokiranje kuta nagiba
23. Mjerilo kuta nagiba
24. Okretno postolje
25. Vijci za blokiranje mjerila nagiba
26. Vrećica za prašinu
27. Ručica za određivanje granice klizne šipke
28. Okretni gumb za blokiranje klizne šipke
29. Ručica zapiraca kosine
30. Stega
31. Mjerilo kutova
32. LED svjetlo
33. Vanjska pribornica
34. List pile
35. Ploča propiljka

## POPIS REZERNIH DIJELOVA

- PS254DBE: Potezno-preklopna pila EN 847-1/ 0254 x 030 x 2,6 / 48T / HW / n maks. 7400 min-1 (Page 3. Br. 34)
- Ploča propiljka (Stranica 3. Br. 35)
- Ugljična četka (Stranica 2. Br. 6)

## ODRŽAVANJE

Proizvod nipošto nemojte mijenjati niti koristiti pribor koji proizvođač nije odobrio. Vaša sigurnost i sigurnost drugih osoba mogla bi biti ugrožena.

Proizvod nemojte koristiti ako nijedan od prekidača, štitnika ili ostalih funkcija ne radi kako je predviđeno. Vratite ga u ovlašteni servisni centar na profesionalni popravak ili podešavanje.

Ne obavljajte nikakve prilagodbe dok je list pile u pokretu.

Uvijek se uvjerite da je proizvod odvojen od mrežnog napajanja prije podešavanja, podmazivanja ili obavljanja bilo kakvog održavanja na proizvodu.

Prije i nakon svake upotrebe, provjerite ima li na proizvodu oštećenja ili neispravnih dijelova. Proizvod održavajte u vrhunskom radnom stanju odmah zamjenjujući dijelove rezervnim dijelovima koje je odobrio proizvođač.

List ima oštre rubove i može ostati vruć nakon postupaka rezanja. Budite iznimno oprezni prilikom čišćenja izloženog noža. Nosite rukavice kako biste se zaštitili od tjelesnih ozljeda.

Pilu i njezin pribor redovito čistite od prašine, osobito pokretne dijelove uključujući i štitnik lista pile. Kako biste učinkovito uklonili prašinu, koristite ručnu četku ili usisavač prašine. Nemojte koristiti komprimirani zrak.

Izbjegavajte korištenje otapala za čišćenje plastičnih dijelova. Većina plastičnih materijala osjetljiva je na razne vrste komercijalnih otapala i mogu se oštetiti prilikom njihove upotrebe. Čistim krpama uklonite prijavštinu, ugljenu prašinu, itd.

Koristite isključivo nastavke, dodatke i rezervne dijelove tvrtke AEG. Ako je komponente koje nisu opisane potrebno zamijeniti, obratite se našem AEG servisnom agentu (pogledajte naš popis jamstvenih/servisnih adresa).

Crtež prikaza rastavljenog sklopa proizvoda moguće je naručiti prema potrebi. Navedite vrstu proizvoda i serijski broj otisnut na oznaci i naručite crtež od svojih lokalnih servisnih predstavnika ili izravno na: Techtronic Industries GmbH, Max-Eyth-Straße 10, 71364 Winnenden, Germany.

EN
DE
FR
IT
ES
PT
NL
DA
NO
SV
FI
EL
TR
CS
SK
PL
HU
SL
HR
LV
LT
ET
RU
BG
RO
MK
UK
AR



**SIMBOLI**

	Prije pokretanja proizvoda pažljivo pročitajte upute.
	<b>OPREZ! UPOZORENJE! OPASNOST!</b>
	Prije obavljanja bilo kakvih radova na proizvodu, njegov utikač izvucite iz strujne utičnice.
	Alat razreda II, dvostruko izolirani
	Nosite zaštitu za oči.
	Nosite zaštitu za uši
	Proizvod nemojte izlagati kiši niti ga koristiti na vlažnim mjestima.
	Nosite sigurnosne rukavice.
	Ruke držite podalje od površine za rezanje i oštrug lista pile.
	<b>OPREZ!</b> Nemojte gledati izravno u radno svjetlo.
	Smjer okretanja lista pile
	Zubi pile
	Širina reza
	Otvor vretena i veličina lista
	Samo za rezanje drva
	Namjestite položaj klizne ograde prije obavljanja složenog ili kutnog rezanja.
	Otpadnu električnu i elektroničku opremu nemojte odlagati kao nesortirani komunalni otpad. Otpadna električna i elektronička oprema mora se prikupljati odvojeno.  Otpadni izvori svjetla moraju se ukloniti iz opreme.

Od lokalnih nadležnih tijela ili trgovca zatražite savjete koji se odnose na recikliranje i mjesto za skupljanje otpada. U skladu s lokalnim propisima, trgovci u maloprodaji imaju obvezu besplatnog preuzimanja električne i elektroničke opreme.

Vaš doprinos ponovnoj upotrebi i recikliranju otpadne električne i elektroničke opreme pomaže u smanjenju potrebe za sirovinama.

Otpadna električna i elektronička oprema sadrži vrijedne materijale i one koje je moguće reciklirati, koji mogu negativno utjecati na okoliš i ljudsko zdravlje, ako se ne uklanja na način ekološki sukladan s okolišem.

Izbrišite osobne podatke iz otpadne opreme, ako ih ima.

	Napon
	Izmjenična struja
	Europska oznaka sukladnosti
	Ukrajinska oznaka sukladnosti
	EurAsian znak konformnosti

**LV ORIGINALNO INSTRUKCIJU TULKUJMS**
**IPASI LIETOŠANAS APSTĀKĻI**

Leņķzāģis ir paredzēts masīvkoka vai līmētu koka detaļu, materiālu, kas līdzīgi kokam, ar vai bez finierējuma, kā arī plastikātu zāģēšanai.

Leņķzāģis ir paredzēts lietošanai pieaugušiem, kuri ir izlasījuši lietošanas rokasgrāmatu un izpratuši riskus un briesmas.

Leņķzāģis ir paredzēts nostiprināšanai pie pamatnes uz stabilas darba virsmas. Ja pamatne netiek droši nostiprināta, griešanas laikā visa ierīce var kustēties, palielinot nopietnu savainojumu risku.

Leņķzāģis ir paredzēts slīpu un noliektu griezumu veikšanai. Dažādu griezumu iespējas ir norādītas instrumenta specifikācijās šajā rokasgrāmatā.

Leņķzāģi drīkst lietot sausos apstākļos, labā apgaismojumā un ar pietiekošu ventilāciju.

Leņķzāģis ir jāizmanto tikai kā aprakstīts iepriekš un šajā rokasgrāmatā un nav paredzēts nekādiem citiem nolūkiem.

Neizmantojiet ierīci citiem mērķiem, bet tikai tam paredzētajiem.

**⚠ BRĪDINĀJUMS!** Izlasiet visus drošības brīdinājumus, norādes, ilustrācijas un specifikācijas, kas sniegtas kopā ar šo izstrādājumu. Visu uzskaitīto instrukciju neievērošana ir bīstama; tā var izraisīt elektrisko triecienu, aizdegšanos un/vai nopietnas traumas.

Saglabājiet visus brīdinājumus un norādījumus turpmākai lietošanai.

**LEŅĶZĀĢA DROŠĪBAS INSTRUKCIJAS**

Leņķzāģi ir paredzēti koka vai līdzīgu materiālu zāģēšanai, tos nevar izmantot ar abrazīvajiem diskiem tādu metālus saturošu materiālu zāģēšanai kā stieņi, skrūves, profili utml. Abrazīvie putekļi rada kustīgo daļu, piemēram, apakšējā aizsarga iesprūšanu. Dzirksteles no abrazīvās zāģēšanas sadedzinās apakšējo aizsargu, atslēgas ieliktni un cita plastikāta daļas.



Izmantojiet skavas, lai nostiprinātu apstrādājamo materiālu, kad vien tas iespējams. Atbalstot detaļu ar roku, nenovietojiet roku tuvāk par 100 mm jebkurai no zāga asmens pusēm. Neizmantojiet šo zāgi, lai zāgētu gabaliņus, kuri ir pārāk mazi, lai tos droši turētu ar roku, vai nostiprinātu ar spailēm. Ja jūsu roka atrodas pārāk tuvu zāga asmenim, palielinās iespēja gūt savainojumus no saskarsmes ar zāga asmeni.

Apstrādājamam materiālam ir jābūt nekustīgam un piespiestam gan pret galdu, gan pret aizmugurējo atduri. Nevirziet apstrādājamo gabalu pret asmeni, nekādā veidā neuzdāģējiet "no brīvas rokas". Nenostiprinātas vai kustīgas detaļas var tikt mestas ar lielu spēku, tā radot ievainojumus.

Stumiet zāgi caur griežamo detaļu. Nevelciet zāgi caur griežamo detaļu. Lai veiktu zāgējumu, paceliet zāga galvu un velciet pāri zāgējamai detaļai, to neaizskarot, ieslēdziet motoru, nospiediet zāga galvu leju un spiediet zāgi caur zāgējamā detaļu. Zāgējot ar vilksnas kustību visticamākais, izraisīs zāga asmens pacelšanos uz zāgējamās detaļas augšējās virsmas, un tās spēcīgu rāvienu lietotāja virzienā.

Nekad nenovietojiet jūsu rokas šķērsām pāri paredzamajai zāgēšanas līnijai, ne zāga asmens priekšā, ne aizmugurē.

Apstrādājamās detaļas turēšana ar sakrustotām rokām, t.i. turot detaļu ar kreiso roku pa labi no zāga vai otrādi, ir ļoti bīstama.

Nesniedzieties aiz aizsarga ar jebkuru roku tuvā par 100 mm no jebkuras zāga puses, lai noņemtu koka skaidas vai kādam citam nolūkam, kamēr zāga asmens griežas. Kustībā esoša zāga ripas tuvums jūsu roka var nebūt acīmredzams, jūs varat gūt smagus ievainojumus.

Aplūkojiet apstrādājamo detaļu pirms zāgēšanas. Ja detaļa ir izliekta vai savērpta, iespējiet to ar izliekuma ārējo virsmu pret atbalstu. Vienmēr pārliecinieties, ka zāgēšanas līnijas garumā starp detaļu, galda virsmu un aizmugurējo atduri nav spraugu. Saliekušās vai savērpušās detaļas var pagriezties vai pārvietoties, zāgēšanas laikā radot zāga ripas iekļēšanas. Detaļā nedrīkst būt naglas vai citi svešķermeņi.

Neizmantojiet zāgi, līdz no galda nav noņemti instrumenti, tas atfīrīs no skaidām un citiem priekšmetiem, un uz tā atrodas tikai zāgējamā detaļa. Nelieli priekšmeti vai brīvi stāvoši koka gabali vai citi priekšmeti, saskaroties ar rotējošu asmeni var tikt mestā pa gaisu ar lielu ātrumu.

Vienlaikus grieziet tikai vienu detaļu. Vienu uz otras novietotas vairākas detaļas nevar atbilstoši iespējēt vai nostiprināt, tās var iekļīst asmeni vai zāgēšanas laikā pārvietoties.

Nodrošiniet, ka pirms lietošanas zāģis tiek novietots vai uzstādīts uz līdzenas, nekustīgas virsmas. Līdzena, nekustīga virsma samazina risku, ka panelzāģis kļūst nestabils.

Plānojiet darbu. Katru reizi mainot leņķa vai stipuma iestatīta un netraucēs zāga ripas vai aizsardzības sistēmas kustībai. Neieslēdzot zāgi un neliekot detaļu uz galda, virziet zāga asmeni visā plānotā grieziņa garumā, lai pārliecinātos, ka tas nekur nepieskaras un nepieskaras aizmugurējai atdurei.

Nodrošiniet atbilstošu atbalstu, piemēram galda pagarinājumu, steķus utml. zāgējamām detaļām, kas ir garākas vai platākas par galda virsmu. Detaļas, kas ir garākas vai platākas par zāga galdu var sasvērties, ja nav atbilstoši nostiprinātas. Ja nogrieztais gabals vai detaļa sasveras, tā var pacelt zāga asmens aizsargu vai tikt mesta pa gaisu ar rotējošo asmeni.

Neizmantojiet otru cilvēku kā aizvietotāju galda pagarinājumam vai papildu atbalstam. Nestabils detaļas atbalsts var izraisīt asmens iekļēšanas vai detaļas izkustēšanas zāgēšanas laikā, ieraujot jūs vai palīgu rotējošajā asmenī.

Nogriezt gabalu nekādā veidā nedrīkst iespīlēt vai spiest pret rotējošo zāga asmeni. Ja detaļa ir iesprostota, piemēram, izmantojot garuma atdūres, nogrieztais gabals var atsisīties pret zāga asmeni un ar lielu spēku aizmests.

Vienmēr izmantojiet spaili vai pielāgojumu, kas radīts lai atbalstītu apalus materiālu, piemēram kātus vai caurules. Apaļām detaļām ir tendence zāgēšanas laikā rotēt, izraisot zāga ripas "iekošanas" un detaļas un jūsu rokas ieraušanos asmenī.

Ļaujiet zāga ripai sasniegt pilnu darba ātrumu, pirms tā pieskaras detaļai. Tas samazinās detaļas aizmešanas risku.

Ja griežamais materiāls vai asmens iesprūst, izslēdziet zāgi. Nogaidiet līdz visas kustīgās daļas apstājas un atvienojiet

vodu no sprieguma avota un/vai noņemiet akumulatora bloku. Tad atbrīvojiet iesprūdušo materiālu. Nepārtraukta zāgēšana ar iesprostotu detaļu var izraisīt kontroles pār to zaudēšanu vai bojājumus zāģim.

Pēc grieziņa pabeigšanas, atlaidiet slēdzi, turiet zāga galvu nospiestu uz leju, līdz zāga ripa apstājas, pirms noņemt nogrieztu gabalu. Rokas tuvināšana rotējošai zāga ripai ir bīstama.

Stingri turiet rokturi, ja veicat nepilnu griezumus, vai atlaižot slēdzi, pirms zāga galva ir galējā apakšējā stāvoklī. Zāga bremzējošā darbība var izraisīt zāga galvas strauju raušanu uz leju, radot ievainojumu risku.

## DROŠĪBAS NORĀDES KOKA GRIEŠANAS ASMENIM

Lūdzu rūpīgi izlasiet rokasgrāmatu un instrukcijas, pirms lietot ierīci un zāga ripu.

Produktam jābūt labā stāvoklī, tā vārpstai nedrīkst būt deformāciju vai vibrāciju.

Neizmantojiet produktu, ja aizsargi nav uzstādīti vietā. Uzturiet aizsargu labā darba kārtībā un pareizi apkopojus.

Nodrošiniet, ka lietotājs ir pietiekoši apmācīts par produkta drošības pasākumiem, iestāšanās un lietošanu.

Lietojot produktu, vienmēr valkājiet aizsargbrilles un dzirdes aizsarglīdzekļus. Ieteicams valkāt cimdus, izturīgus, neslidošus apavus un priekšautu.

Pirms jebkādu piederumu izmantošanas, izlasiet lietošanas instrukciju. Nepareiza piederumu lietošana var izraisīt bojājumus un palielināt ievainojumu iespējamību.

Izmantojiet tika asmeņus, kas norādīti šajā rokasgrāmatā un atbilst standartam EN 847-1.

Ievērojiet maksimālo ātrumu, kas norādīts uz zāga asmens. Nodrošiniet, ka ātrums, kas atzīmēts uz zāga ripas, ir vismaz vienāds ar ātrumu, kas norādīts uz zāga.

Vienmēr izmantojiet asmeņus ar pareizu izmēru un stiprinājuma atveru formu. Asmens, kas neatbilst uzstādīšanas vietai, novirzīsies no centra, izraisot kontroles zaudēšanu.

Neizmantojiet asmeņus ar lielāku vai mazāku diametru, nekā ieteikts. Neizmantojiet starplikas, lai uzliktu asmeni uz ass.

Pirms katras lietošanas pārbaudiet, vai zāga asmens zobiem nav bojājumu vai neparasts izskats. Zobu uzlikas, kas ir bojātas vai valģas, var kļūt par lidojošiem priekšmetiem lietošanas laikā un palielināt ievainojumu iespējamību.

Neizmantojiet saplaisājušus vai deformētus zāga asmeņus. Neizmantojiet zāga asmeņus, kas ir bojāti vai deformēti.

Ja zāga asmens ir bojāts, deformēts, saliekts vai saplaisājis, to remontēt nav atļauts.

Neizmantojiet HSS asmeņus.

Nodrošiniet, ka zāga asmens ir pareizi uzstādīts, kārtīgi pievelciet fiksācijas uzgriezni (novilkšanas spēks aptuveni 12 Nm).

Fiksācijas skrūve un uzgriežņi ir jānovelk izmantojot piemērotu uzgriežņu atslēgu utml.

Uzgriežņu atslēgas pagarināšana vai pievilksana ar āmura siteniem, nav atļauta.

Pārliecinieties, ka asmens un atloki ir tīri un paliktņā padziļinātā daļa atspiežas pret asmeni.

Nodrošiniet, ka asmens griežas pareizajā virzienā.

Pirms darba veiciet zāgēšanas kustības imitāciju bez ieslēgta motora, lai pārbaudītu asmens stāvokli, aizsargu darbību attiecībā pret citām ierīces daļām un apstrādājamo materiālu.

Nekad neatstājiet produktu bez uzraudzības.

Neuzklājiet smērvielas uz asmens, kad tas darbojas.

Nekad neveiciet jebkādas tīrīšanas vai apkopes darbus, kad iekārtā joprojām darbojas un darba bloks nav miera stāvoklī.

Nekad nemēģiniet ātri apturēt mehānismu kustību, iekļējot instrumentu vai citu priekšmetu pret asmeni, šādā veidā nejausī var izraisīt smagus negadījumus.

Atvienojiet instrumentu no sprieguma padeves vai noņemiet akumulatora bloku, pirms veikt zāga ripu nomaiņu vai apkopi.

Uzmanieties, ieliekot vai izņemot asmeni no iepakojuma, asmens asie gali var viegli radīt ievainojumus.



EN
DE
FR
IT
ES
PT
NL
DA
NO
SV
FI
EL
TR
CS
SK
PL
HU
SL
HR
LV
LT
ET
RU
BG
RO
MK
UK
AR
i







Rīkojoties ar zāga ripām, izmantojiet to turētāju vai valkājiet cimdus.

Turiet un glabājiet asmeni oriģinālā iepakojumā vai citā piemērotā iepakojumā, uzglabājiet sausos apstākļos un atstātos no ķīmikālijām, kas var sabojāt asmeni.

## PAPILDU DROŠĪBAS UN DARBA NORĀDES

Vienmēr kārtīgi ar skavām nostipriniet apstrādājamo materiālu.

Pārliecinieties, ka produkts vienmēr ir stabils un nostiprināts (piemēram, pie sola).

Vienmēr valkājiet dzirdes aizsarglīdzekļus! Ausu pakļaušana trokšņa iedarbībai var izraisīt dzirdes traucējumus.

Izmantojot produktu, vienmēr nēsājiet aizsargbrilles. Rīkojoties ar asmeņiem un raupju materiālu, ieteicams valkāt aizsargcimdus un izturīgus neslīdošus apavus, lai pasargātu kājas no materiāla daļām, kas var nokrist no griešanas zonas.

Atvienojiet produktu no sprieguma padeves vai noņemiet akumulatora bloku, pirms veikt jebkādas apkopes vai tīrīšanas darbus.

Pievienojiet elektrotīklam tikai tad, kad produkts ir izslēgts.

Turiet vadu atstatu no produkta darba zonas. Novietojiet to ārpus zonas, kurā stāv lietotājs.

Nekad nesniedzieties asmens tuvumā, ja vien asmens nav pilnīgi apstājies.

Pirms lietošanas rūpīgi pārbaudiet produktu, vadu un kontaktdakšu, vai tiem nav bojājumu vai materiāla noguruma pazīmes. Jebkāds produkta, tostarp elektrības vada nomaigāns, remontdarbus drīkst veikt tikai pilnvarots servisa centrs.

Vienmēr uz produkta lietojiet aizsargus. Neizmantojiet produktu, ja aizsargi nav uzstādīti, vai pienācīgi nedarbojas.

Apakšējām asmeņiem aizsargam ir jāatveras tikai, kad asmens tiek nolaists uz zāgējamā materiāla, un tam vienmēr ir jāvar brīvi kustēties un aizvērties automātiski.

Detālas atbalstam darba laikā vienmēr nostipriniet un izmantojiet pagarinājuma stieņus.

Nekad neizmainiet produktu vai tā funkcijas. Jūsu drošība var būt apdraudēta.

Neizmantojiet zāga asmeņus, kas ir saplaisājuši, bojāti vai deformēti.

Neizmantojiet zāga asmeņus, kas izgatavoti no ātrgaitas tērauda.

Izmantojiet tikai asus zāga asmeņus. Nomainiet trulus asmeņus.

Vienmēr izmantojiet asmeņus ar pareizu izmēru un stiprinājuma atveru formu. Asmens, kas neatbilst uzstādīšanas vietai, novirzīsies no centra, izraisot kontroles zaudēšanu.

Izmantojiet tika kokapstrādes asmeņus, kas norādīti šajā rokasgrāmatā un atbilst standartam EN 847-1.

Lai nostiprinātu zāga asmeni, neizmantojiet citus atlokus, paplāksnes un uzgriežņus kā vien tos, kas norādīti lietošanas rokasgrāmatā.

Jāizvēlas zāga asmeni, kas ir piemērots zāgējamam materiālam.

Nekad neizmantojiet produktu, lai zāgētu materiālus, kas nav norādīti šīs rokasgrāmatas sadaļā par paredzēto pielietojumu.

Svarīgi ir nepieļaut asmens pārkaršanu un plastikāta kušanu zāgēšanas laikā.

Ir svarīgi ievērot maksimālo rotācijas ātrumu, kas norādīts uz zāga ripas, izmantojiet tikai zāga ripas, uz kurām norādītais ātrums ir vienāds vai augstāks par norādīto uz instrumenta.

Nomainiet galda ieliktni, kad tas ir nodilis vai bojāts.

Pirms darba veiciet zāgēšanas kustības imitāciju bez ieslēgta motora, lai pārbaudītu asmens stāvokli, aizsargu darbību atiecībā pret citām ierīces daļām un apstrādājamo materiālu.

Veicot slīpus, noliekus vai kombinētos griezumus, pielāgojiet kustīgo atduri vai tās daļu, lai nodrošinātu, ka tās neatrodas zāga ripas ceļā.

Izvaieties no nekontrolētas zāga bloka atlaišanas no paša apakšējā stāvokļa.

Pārvadājot produktu, vienmēr nostipriniet raktu aizslēgu.

Produkts ir jāuzglabā nulles līmeņa slīpumā un noliekuma leņķī ar fiksētu stāvokli. Rokturis ir jānoliek apakšējā (drošā) stāvoklī ar aizvērtiem aizsargiem.

Pārvadājot transportlīdzeklī, novietojiet produktu uz tā pamatnes un nostipriniet, lai tas neizkustētos.

Celiet produktu tikai aiz šim nolūkam paredzētajiem rokturiem.

Vienmēr izmantojiet divas rokas, lai paceltu produktu.

Nodrošiniet, ka darba zonā uz grīdas nemetājas priekšmeti, piemēram, skaidas un atgriezumus.

Neveiciet nekādu atgriezumus vai citu apstrādājamā materiāla daļu noņemšanu no griešanas zonas, kamēr produkts darbojas un zāga bloks nav sākuma stāvoklī.

Gari apstrādājama materiāla gabali ir atbilstoši jāatbalsta. Zāga darba zonā ietilpst viss apstrādājamā materiāla apjoms. Lietotājam ir jānodrošina šī zona no nejausās saskarsmes ar citām personām vai priekšmetiem, kas var izkustināt apstrādājamo materiālu lietošanas laikā.

Produkta izmantošanas laikā radītie putekļi var būt kaitīgi veselībai. Lietojiet putekļu nosūkšanas sistēmu un valkājiet piemērotu putekļu aizsargmasku. Rūpīgi iztīriet uzkrājušos putekļus, piemēram ar putekļsūcēju.

Var būt nepieciešams pielāgot bīdāmo aizsargu, lai nodrošinātu pareizu atstatumu pirms slīpa vai sagāzta griezuma veikšanas. Pārliecinieties, ka aizsarga fiksācijas skrūve pēc regulēšanas ir kārtīgi pievilkta.

Skavu var uzstādīt un izmantot jebkurā asmeņus pusē. Dažos gadījumos skava var saskarties ar asmens aizsarga mezglu. Pirms zāgēšanas, lai samazinātu smagu ievainojumu risku, vienmēr pārliecinieties, ka nenotiek saskaršanās ar asmens aizsargu.

**▲ BRĪDINĀJUMS!** Zāgējot 70° slīpumā, ir atļauts tikai 0° sagāzuma leņķis.

Rotējošos pagarinājuma galdus var iestatīt vienā no trim stāvokļiem, atkarībā no vēlamā griešanas veida.

Neuzstādi pagarinājuma galdus nefiksētā stāvoklī. Iestatiet tikai vienā no trim fiksētajiem stāvokļiem.

Izmantojiet rotējošos pagarinājuma galdus, veicot griezumus leņķī, kas lielāks par 45°.

Neveiciet LED nomainu ar cita tipa LED. Jebkuru instrumenta remontu drīkst veikt tikai ražotājs vai tā pilnvarota servisa pārstāvis.

Izmantojot produktu ārpus telpām, ražotājs iesaka izmantot strāvas noplūdes automātu 30 mA noplūdes iestatījumus.

Izmantojot produktu, sprieguma svārstības var ietekmēt citus elektriskos produktus vai apgaismojumu tajā pašā sprieguma ķēdē. Pievienojiet instrumentu sprieguma avotam ar pretēstību, kas vienāda ar 0,299 Ω, lai samazinātu sprieguma svārstības. Sazinieties ar savu elektroenerģijas piegādātāju, lai saņemtu papildu skaidrojumu.

## ZINIET SAVU PRODUKTU

Skatīt 2. – 3. lpp.

1. Rokturis, izolēta satveršanas virsma
2. Ieslēgšanas slēdzis
3. Slēdža fiksācijas svira
4. LED slēdzis
5. Augšējais aizsargs
6. Ogļīte
7. Ass bloķēšanas poga
8. Zāga galvas fiksācijas tapa
9. Apakšējais aizsargs
10. Bīdāmā sēta
11. Nekustīgā sēta
12. Rotējošais pagarinājuma galds
13. Galda fiksācijas poga
14. Sagāzuma ierobes apiešanas poga
15. Slīpuma fiksācijas svira
16. Montāžas atvere
17. Griešanas dziļuma regulēšanas skrūve
18. Griešanas dziļuma fiksācijas uzgrieznis
19. Griešanas dziļuma atdures plāksne
20. Pārnēsāšanas rokturis
21. Seškantē atslēga
22. Noliekuma leņķa fiksācijas poga
23. Noliekuma skala
24. Pagriežamais galds
25. Skrūves noliekuma skalas fiksēšanai
26. Putekļu maiss
27. Bīdīšanas slēdes ierobežotāja svira



28. Bīdīšanas slīdes fiksēšanas poga
29. Noliekuma ierobes svira
30. Skava
31. Slīpuma skala
32. LED apgaismojums
33. Ārējā starplika
34. Zāģa asmens
35. Asmens ierobežotāja plāksne

### REZERVES DAĻU SARAĶSTS

- PS254DBE: Leņķzāģis EN 847-1/ ø254 X ø30 X 2,6 / 48T / HW / N max. 7400 min<sup>-1</sup> (3. lpp.) Nr. 34)
- Griešanas ķīļa plāksne (3. lpp.) Nr. 35)
- Motora ogļīte (2. lpp.) Nr. 6)

### APKOPE

Neizmaniet produktu jebkādā veidā vai neizmantojiet ar jebkādiem piederumiem, ko nav apstiprinājis produkta ražotājs. Jūsu un apkārtnes drošība var būt apdraudēta.

Neizmantojiet produktu, ja jebkādi slēdži, aizsargi vai citas funkcijas nedarbojas tā, kā paredzēts. Atgrieziet pilnvarotā servisa centrā profesionāla remonta vai regulēšanas veikšanai.

Neveiciet nekādus regulējumus, kamēr zāģa asmens ir kustībā.

Vienmēr pārliecinieties, ka produkts ir atvienots no sprieguma padeves, pirms sākt veikt regulēšanu, eļļošanu vai veikt jebkādu produkta apkopi.

Pirms un pēc katras lietošanas pārbaudiet, vai produktam nav bojājumu vai salauztas daļas. Uzturiet produktu vislabākajā darba stāvoklī, nekavējoties nomainot daļas ar ražotāja apstiprinātām rezerves daļām.

Asmenim ir asas malas, pēc ēvelēšanas tas var būt sakarsis. Tirot atklātu asmeni, ievērojiet īpašu piesardzību. Valkājiet cimdus, lai izsargātos no ievainojumiem.

Regulāri notīriet zāģi un tā piederumus no putekļiem, it īpaši kustīgās daļas, ieskaitot asmens aizsargu. Izmantojiet slotiņu vai putekļsūcēju, lai notīrītu putekļus. Neizmantojiet saspiestu gaisu.

Neizmantojiet šķīdinātājus plastmasas detaļu tīrīšanai. Vairums plastikātu pakļaujas dažādu tīrniecību pieejamu šķīdinātāju iedarbībai un šādu šķīdinātāju lietošanas tos var bojāt. Izmantojiet tīru audumu, lai notīrītu netīrumus, oglekļa putekļus utt.

Izmantojiet tikai AEG papildaprīkojumu un AEG rezerves daļas. Ja nepieciešams nomainīt daļas, kuras nav aprakstītas, sazinieties ar vienu no mūsu AEG servisu pārstāvjiem (skatīt sarakstu ar mūsu garantijas/servisu adresēm).

Ja nepieciešams, iespējams pasūtīt produkta sprādzienveida skatu. Norādiet produkta veidu un sērijas numuru, kas uzdrukāts uz etiķetes, un pasūtiet attēlu pie Jūsu vietējiem servisa pārstāvjiem vai tieši no: Techtronic Industries GmbH, Max-Eyth-Straße 10, 71364 Winnenden, Germany.

### APZĪMĒJUMI

	Lūdzu rūpīgi izlasiet instrukcijas, pirms sākt lietot produktu.
	<b>UZMANĪBU! BRĪDINĀJUMS! BĪSTAMI!</b>
	Atvienojiet kontaktdakšu no kontaktligzdas, pirms veikt jebkādas darbus ar produktu.
	II klases instruments, dubultā izolācija
	Valkājiet acu aizsarglīdzekļus.

	Valkājiet dzirdes aizsarglīdzekļus.
	Nepakļaujiet lietus ietekmei un neizmantojiet mitrās vietās.
	Valkājiet aizsargcimdus.
	Turiet rokas atstatu no griešanas zonas un asmens.
	<b>UZMANĪBU!</b> Neskatieties uz ieslēgto lampu.
	Asmens griešanās virziens
	Asmens zobi
	Griezuma platums
	Uztādīšanas atvere un asmens izmērs
	Tikai koka griešanai
	Noregulējiet slīdošā aizsarga stāvokli pirms veikt slīpus vai sagāztus griezumus.
	Neizmetiet elektrisko un elektronisko iekārtu atkritumus kā nešķirotus sadzīves atkritumus. Elektrisko un elektronisko iekārtu atkritumi jāsavāc atsevišķi.
	Gaismas avotu atkritumi ir jāizņem no iekārtām. Sazinieties ar vietējo pašvaldību vai mazumtirgotāju, lai saņemtu ieteikumus pārstrādei un savākšanas punktus. Saskaņā ar vietējiem noteikumiem mazumtirgotājiem var būt pienākums bez maksas pieņemt atpakaļ elektrisko un elektronisko iekārtu atkritumus. Jūsu ieguldījums elektrisko un elektronisko iekārtu atkritumu otrreizējā izmantošanā un otrreizējā pārstrādē palīdz samazināt izejvielu pieprasījumu. Elektrisko un elektronisko iekārtu atkritumi satur vērtīgus un pārstrādājamus materiālus, kas var nelabvēlīgi ietekmēt vidi un cilvēku veselību, ja tos neapglabā videi draudzīgā veidā. Izdzēsiet no atkritumos nododamajām iekārtām personīgos datus, ja tādi tur ir.
<b>V</b>	Spriegums

- 
- EN
- DE
- FR
- IT
- ES
- PT
- NL
- DA
- NO
- SV
- FI
- EL
- TR
- CS
- SK
- PL
- HU
- SL
- HR
- LV
- LT
- ET
- RU
- BG
- RO
- MK
- UK
- AR
-

	Mainįtrava
	Eiropas atbilstības zīme
	Ukrainas atbilstības zīme
	EurAsian atbilstības marķējums

## LT ORIGINALIŲ INSTRUKCIJŲ VERTIMAS

### YPATINGOS NAUDOJIMO SĄLYGOS

Šis diskinis kampinis pjūklas skirtas vientisai ir klijuotai medienai, taip pat į medieną panašioms medžiagoms su klijuota faneros ir plastiko apdaila arba be jos, pjauti.

Šį diskinį kampinį pjūklą leidžiama naudoti tik suaugusiems operatoriams, kurie perskaitė naudojimo instrukciją ir supranta galimus pavojus.

Šio kampinio pjūklo pagrindas tvirtinamas prie vientiso darbatalio viršaus. Jei pagrindas nebus gerai pritvirtintas, vykdant pjovimo darbus staklės gali pajudėti, dėl to gali padidėti pavojus susižaloti.

Šis kampinis pjūklas yra skirtas įstrižiesiems ir nuožambiesiems pjūviams atlikti. Įvairių pjūvių parametrai nurodyti gaminio specifikacijose šiose instrukcijose.

Diskinį kampinį pjūklą reikia naudoti sausomis sąlygomis, esant geram aplinkos apšvietimui ir pakankamai ventilacijai.

Šį kampinį pjūklą galima naudoti tik asmeniniams tikslams ir tik taip, kaip aprašyta pirmiau; jis nėra skirtas jokiame kitam tikslui.

Gaminį galima naudoti tik pagal paskirtį.

**⚠ ĮSPĖJIMAS!** Perskaitykite visus su šiuo gaminiu pateiktus saugos įspėjimus, nurodymus, paveikslėlius ir specifikacijas. Apačioje išdėstytų instrukcijų nesilaikymas gali sukelti elektros smūgį, gaisrą ir (ar) sunkius sužeidimus.

Išsaugokite visas saugos taisykles ir naudojimo instrukciją, kad galėtumėte pasinaudoti ateityje.

### KAMPINIŲ PJŪKLŲ NAUDOJIMO SAUGOS INSTRUKCIJA

Kampiniai pjūklai skirti medienai arba medieną primenančioms medžiagoms pjauti; jų negalima naudoti su šlifuojamaisiais pjovimo diskais geležies ruošiniams, pavyzdžiui strypams, armatūrai, vinims ir pan., pjauštyti. Šlifavimo metu kylančios dulksės strigdo judamąsias dalis, pavyzdžiui apatinį apsauginį gaubtą. Šlifuojamojo pjovimo metu kylančios kibirkštys apdegins apatinį apsauginį gaubtą, prapjovos įdėklą ir kitas plastikines dalis.

Jei tik įmanoma, įtvirtinkite ruošinį spaustuvais. Jeigu ruošinys laikomas ranka, ranka privalo būti laikoma bent 100 mm atstumu nuo pjovimo disko iš bet kurios jo pusės. Nepjaukite šiuo pjūklų tokių ruošinių, kurie yra per maži, kad juos galima būtų saugiai įtvirtinti spaustuvais arba laikyti ranka. Jeigu ranka bus per arti pjovimo disko, kils didesnis pavojus susižaloti prisilietus prie disko.

Ruošinys privalo nejudėti ir būti įtvirtintas spaustuvais arba laikomas prispaustas prie abiejų kreiptuvų bei pagrindo. Nestumkite ruošinio disko link ir jokiais būdais nepjaukite „iš rankos“. Neįtvirtinti arba judantys ruošiniai gali būti nusviesti dideliu greičiu ir sužaloti.

Pjaukite ruošinį, stumdami diską. Nepjaukite ruošinio, traukdami disko. Norėdami padaryti pjūvį, pakelkite pjūklo galvutę ir nuleiskite ją ant ruošinio, neatlikdami ruošinio, įjunkite variklį ir, stumdami diską, pjaukite ruošinį. Pjaunant traukiant, pjovimo diskas gali iššokti iš ruošinio ir disko įtaisas gali būti didele jėga sviestas naudotojo link.

Niekada nesukryžiuokite rankų virš norimos pjovimo linijos nei prieš pjovimo diską, nei už jo. Laikyti ruošinį sukryžiuotomis

rankomis, t. y. kairiąja ranka laikyti ruošinį dešinėje pusėje ir atvirksčiai, yra labai pavojinga.

**Nekiškite rankų už kreiptuvo mažesniu nei 100 mm atstumu iš bet kurios pjovimo disko pusės, norėdami pašalinti medienos drožles arba dėl bet kokių kitokių priežasčių, kai diskas sukasi.** Netiksliai nustačius atstumą nuo besisukančio pjovimo disko iki jūsų rankos, jūs galite būti sunkiai susižaloti.

**Apžiūrėkite ruošinį, prieš pradėdami pjauti. Jeigu ruošinys yra išlinkęs arba deformuotas, įtvirtinkite jį, atremdami išorinę išlinkusio paviršiaus pusę į kreiptuvą. Visada įsitinkinkite, ar tarp ruošinio, kreiptuvo ir pagrindo išilgai pjovimo linijos nėra jokio tarpo.** Išlinkę arba deformuoti ruošiniai gali pasisukti arba pasislinkti ir pjaunant įstrigdyti besisukančią pjovimo diską. Ruošinyje neturi būti vinių arba pašalinių elementų.

**Nenaudokite pjūklo, kol nuo pagrindo nebus pašalinti visi įrankiai, medienos nuopojos ir pan.; ant pagrindo turi būti tik ruošinys.** Mažos šiukšlės arba nupjautos medienos atraižos ar kiti daiktai gali prisiliesti prie besisukančio disko ir būti nusviesti dideliu greičiu.

**Vienu metu pjaukite tik po vieną ruošinį.** Sudėjus kelis ruošinius, jų neįmanoma tinkamai įtvirtinti arba suimti, todėl pjaunant jie gali pasislinkti arba gali užstrigti diskas.

**Prieš naudodamiesi kampiniu pjūklų, pastatykite arba sumontuokite jį ant lygaus, tvirtu darbo paviršiaus.** Lygus, tvirtas darbo paviršius mažina pavojų, kad kampinis pjūklas taps nestabilus.

**Planuokite savo darbą. Kaskart pakeitę įstrižojo arba nuožambaus kampo nuostatą, būtinai įsitinkinkite, ar reguliuojamasis kreiptuvas yra tinkamai nustatytas ruošiniui atremti ir jis netrukdys diskui arba apsauginį gaubtų sistemai. NEJUNGDAMI įrankio ir nepadėję ant pagrindo ruošinio, stumkite pjovimo diską per visą įsivaizduojamo pjūvio ilgį, kad įsitikintumėte, kad niekas netrukdys ir nekils pavojus įpjauti kreiptuvą.**

**Už pagrindą platesnius arba ilgesnius ruošinius būtinai tinkamai paremkite, pavyzdžiui pagrindo ilgintuvais, ožiais ir pan.** Tinkamai neparėmus už kampinio pjūklo pagrindą ilgesnių arba platesnių ruošinių, jie gali pasvirti. Jeigu nupjautoji dalis arba ruošinys pasvirs, jis gali pakelti apatinį apsauginį gaubtą arba jį gali nusviesti besisukančios diskas.

**Neprašykite, kad kitas žmogus laikytų ruošinį vietoj pagrindo ilgintuvo arba papildomos atramos.** Nestabiliai paremtas ruošinys pjovimo metu gali užstrigdyti diską arba ruošinys gali pasislinkti ir patraukti jus ir jūsų padėjęją ant besisukančio disko.

**Nupjautoji dalis jokiais būdais neturi būti priremta arba prispausta prie besisukančio pjovimo disko.** Sulaikyta nupjautoji dalis, pavyzdžiui, naudojant ilgio stabdiklius, gali būti įremta į diską ir didele jėga nusviesta.

**Visada naudokite spaustuvus arba specialius fiksatorius, kad tinkamai įtvirtintumėte apvalius ruošinius, pavyzdžiui strypus arba vamzdžius.** Pjaunami strypai yra linkę sukis, todėl diskas „įsikerta“ ir traukia ruošinį su jūsų ranka disko link.

**Prieš paliečiant ruošinį, palaukite, kol diskas pradės sukstis visu greičiu.** Taip sumažės ruošinio nusviedimo pavojus.

**Jeigu ruošinys arba diskas užstrigtų, išjunkite kampinį pjūklą.** Palaukite, kol visos judamosios dalys sustos, ir atjunkite elektros kištuką nuo elektros tinklo lizdo ir (arba) išimkite akumuliatorių. Tada pasistenkite atlaisvinti užstrigusią medžiagą. Jeigu toliau pjausite užstrigusį ruošinį, galite nesuvaldyti kampinio pjūklo arba jį sugadinti.

**Pabaigę pjauti, atleiskite jungiklį, palikite pjovimo galvutę nuleistą ir palaukite, kol diskas sustos, tada patraukite nupjautąją dalį.** Kišti rankas prie besisukančio disko yra pavojinga.

**Tvirtai laikykite rankeną, kai atliekate pjūvį ne iki galo arba kai atleidžiate jungiklį, kol pjovimo galvutė dar nėra visiškai nuleista.** Stabdant pjūklą, pjūklo galvutė gali staigiai nusileisti, sukeldama sužalojimo pavojų.

### MEDIENOS PJOVIMO DISKO NAUDOJIMO SAUGOS TAIŠYKLĖS

Prieš naudodamiesi šiuo pjovimo disku ir įrenginiu, atidžiai perskaitykite šią instrukciją.

Įrenginys turi būti geros būklės, suktuvas turi būti be deformacijos ir vibracijos.





nuo dulkių kaukę. Dulkių siurbliu išvalykite visas susikaupusias dulkes.

Norint padaryti įstrižai arba sudėtini pjūvi, gali prireikti sureguliuoti slankinį kreiptuvą, kad būtų užtikrintas tinkamas tarpas. Sureguliuavus būtina tvirtai priveržti slankiojo kreiptuvo fiksavimo varžtą.

Spaustuvus galima sumontuoti ir naudoti bet kurioje disko pusėje. Atliekant tam tikrus darbus, spaustuvi gali trukdyti judėti disko apsauginiam gaubtui. Prieš pradėdami pjauti visada įsitikinkite, kad disko apsauginis gaubtas neličia disko, kad sumažintumėte pavojų sunkiai susižaloti.

**⚠️ ĮSPĖJIMAS!** Atliekant 70° įstrižai pjūvi, leidžiama nustatyti tik 0° nuožulnumo kampą.

Sukamuosius ilginamuosius pagrindus galima nustatyti į vieną iš trijų padėčių, atsižvelgiant į pageidaujamą pjūvio tipą.

Nenustatykite ilginamųjų pagrindų atlaisvinimo padėtyse. Nustatykite tik vienoje iš trijų fiksavimo padėčių.

Darydami didesnius nei 45° kampo nuožambius pjūvius, naudokite sukamuosius ilginamuosius pagrindus.

Nekeiskite šviesos diodo kitos rūšies lempute. Bet kokius remonto darbus leidžiama atlikti tik gamintojui arba įgaliotajam techninės priežiūros centro atstovui.

Naudojantis įrenginiu lauke, gamintojas rekomenduoja naudoti liekamosios srovės įtaisą (RCD), kurio išjungimo srovė yra ne didesnė kaip 30 mA.

Naudojant gaminį, įtampas svyravimai gali paveikti kitus prie tos pačios elektros grandinės prijungtus elektros ar apšvietimo prietaisus. Norėdami sumažinti įtampas svyravimus, prijunkite įrankį prie matinimo šaltinio, kurio varža yra 0,299 Ω. Norėdami gauti daugiau informacijos kreipkitės į elektros energijos tiekėją.

## PAŽINKITE SAVO ĮRENGINĮ

Žr. 2–3 psl.

1. Rankena, izoliuoto paviršiumi
2. Maitinimo jungiklis
3. Jungiklio blokavimo svirtis
4. Diodinės apšvietimo lempuotės jungiklis
5. Viršutinis apsauginis gaubtas
6. Anglinis šepetėlis
7. Veleno fiksavimo mygtukas
8. Galvutės fiksavimo kaištis
9. Apatinis apsauginis gaubtas
10. Slankusis kreiptuvas
11. Fiksuotasis kreiptuvas
12. Sukamasis ilginamasis pagrindas
13. Pagrindo fiksavimo mygtukas
14. Įstrižojo kampo stabdiklio apylankos mygtukas
15. Įstrižojo kampo fiksavimo svirtelė
16. Montavimo anga
17. Pjovimo gylio reguliavimo varžtas
18. Pjovimo gylio antveržlė
19. Pjovimo gylio fiksavimo plokštė
20. Rankena įrenginiui nešti
21. Šešiakampis veržliaraktis
22. Nuožulnumo kampo fiksavimo rankenėlė
23. Nuožulnumo skalė
24. Sukamasis pagrindas
25. Įstrižumo skalės fiksavimo varžtai
26. Dulkių surinkimo maišelis
27. Slankiklio ribojimo svirtis
28. Slankiklio fiksavimo rankenėlė
29. Nuožulnumo fiksavimo svirtelė
30. Spaustuvas
31. Įstrižumo skalė
32. LED lempuotė
33. Išorinė jungė
34. Pjovimo diskas
35. Prapjovos plokštėlė

## KEIČIAMŲJŲ DALIŲ SARAŠAS

- PS254DBE: Kampinis pjūklas EN 847-1/ ø254 X ø30 X 2,6 / 48T / HW / N maks. 7 400 min-1 (3 psl. Nr. 34)
- Prapjovos plokštėlė (3 psl. Nr. 35)
- Anglinis šepetėlis (2 psl. Nr. 6)

## PRIEŽIŪRA

Jokiais būdais nekeiskite įrenginio konstrukcijos ir nenaudokite jo su jokiais kitais priedais, kurie nėra rekomenduojami šio įrenginio gamintojo. Antraip gali kilti pavojus jūsų ir aplinkinių saugumui.

Nenaudokite įrenginio, jei kuris nors jungiklis, apsauginiai gaubtai ar kitos funkcijos neveikia taip, kaip numatyta. Gražinkite į įgaliotąjį techninės priežiūros centrą, kad jis būtų suremontuotas arba sureguliuotas kvalifikuotų specialistų.

Nereguliuokite, kai pjūklo diskas juda.

Prieš atlikdami reguliavimą, tepimo arba gaminio techninės priežiūros darbus, visada įsitikinkite, kad gaminy yra atjungtas nuo elektros tinklo.

Prieš kiekvieną naudojimą ir po jo patikrinkite įrenginį, ar jame nėra sugedusių ar sulūžusių dalių. Išlaikykite gaminį geriausios darbinės būklės, nedelsdami pakeiskite dalis gamintojo patvirtintomis atsarginėmis dalimis.

Diskas turi aštrias briaunas, be to, po pjovimo jis gali būti įkaitęs. Būkite itin atsargūs, valydami neapsaugotą peilį. Dėvėkite pirštines, kad apsaugotumėte nuo susižalojimo.

Reguliariai valykite dulkes nuo pjūklo ir jo priedų, ypač nuo judančių dalių, įskaitant disko apsauginį gaubtą. Dulkės efektyviai pašalinti naudokite rankinį šepetį arba dulkių siurbį. Nenaudokite suslėgto oro.

Valydami plastikines dalis nenaudokite tirpiklių. Daugelis plastikų yra jautrūs parduotuose pardavinėjamiems tirpikliams, kurie juos gali pažeisti. Švaria šluoste nuvalykite nešvarumus, anglies dulkes ir kt.

Naudokite tik AEG priedus ir AEG atsargines dalis. Jei reikėtų pakeisti naudojimo instrukcijoje neaprašytus komponentus, kreipkitės į mūsų AEG techninės priežiūros atstovą (žr. mūsų garantinio aptarnavimo / techninės priežiūros skyrių adresų sąrašą).

Jei reikia, galite užsisakyti įrenginio dalių brėžinį. Nurodykite įrenginio tipą ir serijos numerį, išspausdintą etiketėje, ir užsisakykite brėžinį iš artimiausio techninės priežiūros skyriaus arba tiesiogiai: Techtronic Industries GmbH, Max-Eyth-Straße 10, 71364 Winnenden, Germany.

## ŽENKLAI

	Prieš naudodamiesi įrankiu, atidžiai perskaitykite šią naudojimo instrukciją.
	<b>PERSPĖJIMAS! ĮSPĖJIMAS! PAVOJUS!</b>
	Prieš atlikdami bet kokius įrenginio techninės priežiūros, valymo ar reguliavimo darbus, atjunkite kištuką nuo elektros lizdo.
	II klasės įrankis, dviguba izoliacija
	Dėvėkite akių apsaugos priemones.
	Dėvėkite ausų apsaugos priemones.
	Saugokite nuo lietaus ir nesinaudokite juo drėgnose vietose.
	Mūvėkite apsaugines pirštines.







	Laikykite rankas atokiai nuo pjovimo zonos ir aštraus disko.
	PERSPĖJIMAS! Nežiūrėkite tiesiai į veikiančią apšvietimo lempuotę.
	Disko sukimosi kryptis
	Geležties dantukų skaičius
	Pjovimo plotis
	Vidinė anga ir disko dydis
	Tik medienai pjauti
	Sureguliuokite slankiojo kreiptuvo padėtį prieš darydami įstrižuosius arba sudėtinius pjūvius.
	Nemeskite elektros ir elektroninės įrangos atliekų kartu su nerūšiuotomis komunalinėmis atliekomis. Elektros ir elektroninės įrangos atliekas privaloma surinkti atskirai.
	Šviesos šaltinių atliekas iš įrangos privaloma pašalinti. Kur rasti surinkimo ir perdavimo punktą ir kaip tinkamai utilizuoti seną įrenginį, kreipkitės į vietos valdžios įstaigą ar pardavėją. Atsižvelgiant į vietos teisės aktus, mažmenininkai gali būti įpareigoti nemokamai priimti atgal elektros ir elektroninės įrangos atliekas. Prisidėdami prie pakartotinio elektros ir elektroninės įrangos atliekų panaudojimo ir perdavimo padedate mažinti žaliavų poreikį. Elektros ir elektroninės įrangos atliekose yra vertingų ir perdirbimui tinkamų medžiagų, kurios gali turėti neigiamą poveikį aplinkai ir žmonių sveikatai, jei nėra šalinamos aplinkai nekenksmingu būdu. Ištrinkite senuose prietaisuose esančius asmens duomenis, jei tokių buvo.
	Voltaį
	Kintamoji elektros srovė
	Europos atitikties ženklas
	Ukrainos atitikties ženklas

EAC

„EurAsian“ atitikties ženklas

**ET ORIGINALJUHENDI TÖLGE****OTSTARBEKOHANE KASUTAMINE**

Pendelsaag sobib täispuidu ja puidusarnaste materjalide (liititud spooni või plastiga või ilma) saagimiseks.

Nurgasaagi tohivad kasutada ainult täiskasvanud isikud, kes on lugenud läbi kasutusjuhendi ning mõistavad sae kasutamiseiga seotud riske ja ohte.

Nurgasaag tuleb kinnitada alusega tugevale pingile või töölauale. Kui alus ei ole turvaliselt kinnitatud, võib kogu saag töötamise ajal liikuda ning suurendada tõsiste kehaliste vigastuste ohtu.

Nurgasaag sobib kald- ja eeringlõigete tegemiseks. Erinevate lõigete andmed on toodud kasutusjuhendis toote tehniliste andmete all.

Nurgasaagi tohib kasutada kuivas, hästi valgustatud ja piisava ventilatsiooniga töökoahas.

Nurgasaag on mõeldud tavatarbijatele ning seda tohib kasutada üksnes ülal kirjeldatud viisil ja mitte ühelgi muul eesmärgil.

Ärge kasutage seadet ühelgi muul viisil kui mainitud sihtotstarbeks.

**⚠ HOIATUS! Lugege läbi kõik tootega kaasasolevad ohutusjuhised, illustatsioonid ja spetsifikatsioonid.** Allpool esitatud hoiatuste ja juhiste eiramise puhul on oht saada elektrilööki või raskeid kehavigastusi ning/või tekitada tulekahju.

**Hoidke kõik hoiatused ja juhised edaspidiseks alles.**

**NURGASAAGIDE OHUTUSJUHISED**

Nurgasaed on mõeldud puidu või sarnase materjali lõikamiseks; saega ei tohi kasutada abrasiivlõikekettaid, et lõigata metallesemeid (nt latid, vardad, naastud jt). Abrasiivtolm põhjustab liikuvate osade, nagu alumine kettakaitse, kinnikiilumise. Abrasiivlõikamisel tekkivad sädemed põletavad alumist kaitset, soone sisemust ja teisi plastist osi.

**Võimalusel kinnitage töödeldav detail kinnitusklambritega.** Toetades lõigatavat detaili käega, peab kätt hoidma vähemalt 100 mm kaugusel saeketta kummalki poolt. Ärge lõigake saega liiga väikesi tükke, mida ei saa turvaliselt kinnitada ega käega hoida. Saeketale liiga lähedal olev käsi tekitab suurema riski saada vigastada kokkupuutest saekettaga.

Lõigatav detail ei tohi liikuda ning peab olema kinnitatud või hoitud nii vastu suundlatti kui ka lauda. Ärge lükake detaili vastu saeketast ega teostage lõikamist detaili kinnitajata. Lahtised või liikuvad detailid võivad suure kiirusega lendu paiskuda ja põhjustada vigastusi.

Lükake saag läbi töödeldava detaili. Ärge tõmmake saagi läbi töödeldava detaili. Lõikamiseks tõstke saepea üles ja tõmmake välja lõigatava detaili kohale ilma seda lõikamata, käivitage mootor, suruge saepea alla ja lükake saag läbi detaili. Tõmmetega lõigates võib saeketas lõigatava detaili peale tõusta ja kogu keita konstruktsioon võib operatoori poole paiskuda.

Ärge kunagi pange kätt saeketta ees ega taga üle soovitud lõikejoone. Väga ohtlik on hoida lõigatavat detaili ristis kätega, st hoida detaili saeketta paremal poolt vasaku käega ja vastupidi.

Kui saeketas pöörleb, ärge pange oma käsi suundlatti taga saeketale lähemale kui 100 mm kummalki pool, et eemaldada puidujäätmeid või mingil muul põhjusel. Te ei pruugi näha, kui kaugel on pöörlev saeketas teie käest ning võite saada tõsiselt vigastada.

Enne lõikamist kontrollige lõigatav detail üle. Kui lõigatav detail on kaarjas või kõver, kinnitage see väljapoole kaardus poolega vastu suundlatti. Alati veenduge, et mõõda lõikejoont ei oleks vahet lõigatava detaili, suunalati ja laua vahel. Kaardus detailid võivad keeruda või paigast nihkuda ning võivad lõikamise ajal pöörleva saeketta külge kinni jääda. Lõigatavas detailis ei tohi olla naelu ega vöörkehaski.



EN

DE

FR

IT

ES

PT

NL

DA

NO

SV

FI

EL

TR

CS

SK

PL

HU

SL

HR

LV

LT

ET

RU

BG

RO

MK

UK

AR





**Sae kasutamise ajal tohib laual olla ainult lõigatav detail, mitte aga teised tööriistad, puidujäätmed jne.** Peenike prügi, lahtised puidutiigid või muud esemed võivad pöörleva saekettaga kokku puutudes suure kiirusega eemale paiskuda.

**Lõigake detaile üksahaaval.** Mitut kokkupandud detaili ei saa korralikult kinnitada ega toestada ning need võivad lõikamise ajal saeketta külge kinni jääda või paigast nihkuda.

**Enne sae kasutamist veenduge, et nurgasaag on paigaldatud või asub tasasel ja kindlal tööpinnal.** Tasane ja kindel tööpind vähendab nurgasae ebastabiilseks muutumise riski.

**Planeeri oma tööd. Iga kord kald- või eeringulõike nurga muutmisel veenduge, et reguleerivat suundlat toetab korralikult lõigatavat detaili ning ei takista saeketast ega kaitsesüsteemi.** Tehke saekettaga näiline lõige tööriista sisse lülitamata (asendisse „ON“) ja laual olevate lõigatavate detailideta ning veenduge, et miski ei sega ja puudub oht lõigata suundlati.

**Lauast laiemate või pikemate detailide toetamiseks kasutage laua pikendusi, saagimispuuki jne.** Nurgasae lauast pikemad või laiemad lõigatavad detailid võivad kalduda, kui need ei ole turvaliselt toetatud. Mahalõigatud tükk või töödeldav detail võib kaldudes alumise kettakaitses üles tõsta või pöörleva saeketta alt eemale paiskuda.

**Ärge kasutage teist inimest laua pikenduse ega lisatoetuse asemel.** Kui lõigatav detail ei ole piisavalt toetatud, võib lõikamise ajal saeketas kinni kiiluda või detail paigast nihkuda ning tõmmata teid ja abiliist pöörleva ketta vastu.

**Mahalõigatud osa ei tohi mingil tingimisel suruda vastu pöörlevat saeketast.** Piiratud tingimustes, st kasutades pikkuse piirajaid, võib mahalõigatud osa kalduda vastu saeketast ja suure hooga eemale paiskuda.

**Ümarate materjalide (nt vardad või torud) korralikult toetamiseks kasutage selleks mõeldud kinnitit või klambrit.** Torud kipuvad lõikamise ajal veerema, mis paneb sae nõ „hammustama“ ja tõmbab detaili koos teie käega vastu saeketast.

**Enne lõigatava detailiga kokkupuutumist laske saekettal saavutada täiskiiirus.** See vähendab detaili lendumise ohtu.

**Kui detail või saeketas kiilub kinni, lülitage saag välja. Oodake kuni kõik liukuvad osad peatuvad ning ühendage pistik vooluallikast lahti ja/või eemaldage aku.** Seejärel eemaldage kinnijäänud materjal. Kinnijäänud detailiga saagimist jätkates võib see põhjustada kontrolli kadumist tööriista üle või tekitab nurgasaele kahjustusi.

**Pärast lõikamise teostamist vabastage lüliti, hoidke saepea all ja oodake, kuni saeketas peatub, enne kui eemaldate mahalõigatud tüki.** Ohtlik on hoida käsi vabakäigul liikuva lõiketera lähedal.

**Hoidke käepidemest kindlalt kinni, kui teostate osalist lõikamist või vabastate lüliti, enne kui saepea on täiesti alumises asendis.** Sae tegevuse katkestamine võib saepea äkiliselt alla tõmmata ja põhjustada vigastuste ohtu.

## PUIDU-SAEKETTA OHUTUSJUHISED

Enne saeketta ja masina kasutamist lugege kasutusjuhend ja selles olevad juhised korralikult läbi.

Toode peab olema heas seisukorras, deformatsiooni ja vibratsioonita.

Ärge kasutage toodet, mille kaitsed ei ole omal kohal. Hoidke kaitsed heas töökorras ja hoidke neid nõuetekohaselt.

Veenduge, et kasutaja oleks saanud piisava väljaõppe ettevaatusabinõude, toote reguleerimise ja talitluse osas.

Toodet kasutades kandke alati kaitseprille ja kõrvakaitsmeid. Soovitatav on kanda kindaid, tugevaid libisemiskindlaid jalatseid ja põlle.

Enne tarviku kasutamist lugege kasutusjuhendit. Tarviku vale kasutamine võib põhjustada kahjustusi ja suurendada vigastuste ohtu.

Kasutage üksnes käesolevas kasutusjuhendis määratletud saekettaid, mis vastavad standardile EN 847-1.

Jälgige saekettale märgitud maksimaalset kiirust. Veenduge, et saekettale märgitud kiirus oleks vähemalt võrdne saele märgitud kiirusega.

Kasutage alati sobiva suuruse ja kujuga saekettaid. Ärge kasutage saele mittesobivaid saekettaid, mida ei saa korralikult kinnitada –

saeketas võib lõikejoones paigalt nihkuda ja põhjustada kontrolli kadumist tööriista üle.

Ärge kasutage saekettaid, mille läbimõõt on soovitatud läbimõödust suurem või väiksem. Ärge kasutage saeketta spindlile sobitamiseks vahetükke.

Iga kord enne kasutamist kontrollige saeketta otsakuid kahjustuste või ebatavalise välimuse suhtes. Kahjustatud või lahtised otsad võivad kasutamisel muutuda lendavateks objektideks ja suurendada vigastuste ohtu.

Ärge kasutage pragunenud ega moonunud saekettaid. Ärge kasutage kahjustunud ega deformeerunud saekettaid.

Kui saeketas on kahjustatud, deformeerunud, moonunud või möranenud, ei ole selle parandamine lubatud.

Ärge kasutage HSS-saekettaid.

Veenduge, et saeketas oleks paigaldatud õigesti ja enne kasutamist pingutage völli mutrit (pingutusmoment u 12 Nm).

Kinnituskrude ja -mutrite pingutamisel kasutage sobivat mutrivõtit jne.

Mutrivõtme pikendus või pingutamine haamriga ei ole lubatud.

Veenduge, et saeketas ja äärikud oleks puhtad ning krae süvistatud küljed oleks vastu saeketast.

Veenduge, et tera pöörleks õiges suunas.

Enne tööd tehke näidislõikamine, ilma et mootor oleks sisse lülitatud, et saaksite kontrollida lõiketera asendit, kaitsmete tööd teiste masina osade suhtes ja töödeldavat detaili.

Ärge kunagi jätke toodet järelevalveta.

Ärge kandke saekettale töötamise ajal määrdeainet.

Ärge kunagi tehke puhastus- ega hooldustöid, kui masin veel töötab ja peaos ei ole puhkeasendis.

Ärge kunagi proovige masinat kiiresti peatada, kinnitades tööriista või muu vahendi vastu saeketast: see võib põhjustada tahtmatult tõsisid õnnetusi.

Enne saeterade vahetust või hooldustöid lülitage tööriist võrgutoitest välja või eemaldage aku.

Pöörake tähelepanu lõiketerade pakkimisele ja lahtipakkimisele, teravate lõiketerade otste tõttu on lihtne vigastusi saada.

Kui te käsitsete saeketast, kasutage kettahoidikut või kindaid.

Hoidke ja hoistage lõiketera originaalpakendis või muus sobivas pakendis. Hoidke seda kuivas kohas ja eemal kemikaalidest, mis võivad lõiketera kahjustada.

## TÄIENDAVAD OHUTUS- JA TÖÖJUHISED

Kinnitage töödeldav detail alati ohutult ja korralikult.

Veenduge, et toode oleks alati stabiilselt ja turvaliselt (nt kinnitatud pingile).

Kasutage kuulmiskaitsevahendeid. Tugev müra võib põhjustada kuulmiskaotuse.

Toodet kasutades kandke alati kaitseprille. Saeketta ja pinnuse materjali käsitsemiseks tuleks kanda kindaid ning tugevaid libisemisvastaseid jalatseid, et kaitsta jalgu lõikepiirkonnast maha kukkuda võivate detailide eest.

Enne hooldustöid või toote puhastamist lülitage toode võrgutoitest välja või eemaldage aku.

Ühendage vooluvõrku ainult siis, kui toode on välja lülitatud.

Hoidke toitejuhe toote tööpiirkonnast eemal. Hoidke see eemal alast, kus seisab seadme kasutaja.

Ärge kunagi ulatuge saeketta lähedale, v.a juhul, kui saeketas on täielikult seiskunud.

Enne kasutamist kontrollige tööriista, toitejuhet ja pistikut põhjalikult võimalike kahjustuste või materjali väsimuse suhtes. Toote ja toitejuhtmega seotud remonditöid võib teha selleks volitatud teeninduses.

Alati kasutage tootega kaitsmeid. Ärge kasutage toodet, kui kaitsmed ei ole omal kohal ja ei tööta õigesti.

Alumine terakaitse peaks avanema ainult siis, kui saeketas langetatakse lõigatavale detailile, ja sellel peab olema alati võimalik vabalt liikuda ning automaatselt sulguda.

Töötamise ajal kinnitage pikendusvardad ja kasutage neid töödeldava detaili toetamiseks.





Ärge kunagi muutke toodet ega selle funktsioone. Teie ohutus satub ohu.

Ärge kasutage mõranenud, kahjustunud ega deformeerunud saekettaid.

Ärge kasutage kiirloiketerast.

Kasutage ainult teravaid saekettaid. Nürid saekettad tuleb välja vahetada.

Kasutage alati sobiva suuruse ja kujuga saekettaid. Ärge kasutage saele mittesobivaid saekettaid, mida ei saa korralikult kinnitada – saeketas võib lõikejoones paigalt nihkuda ja põhjustada kontrolli kadumist tööriista üle.

Kasutage üksnes käesolevas kasutusjuhendis määratletud ja puidutöödeks mõeldud terasid, mis vastavad standardile EN 847-1.

Ärge kasutage äärikuid, seibe ega mutreid saeketta kinnitamiseks, v.a need, mida on kasutusjuhendis nimetatud.

Alati tuleb valida saeketas, mis sobib lõigatava materjaliga.

Kasutage toodet vaid nende materjalide lõikamiseks, mis on määratletud käesoleva kasutusjuhendi toote sihipärase kasutuse osas.

Lõikamise ajal on tähtis vältida saetera ülekuumenemist ja plasti sulamist.

Tähtis on järgida saeketale märgitud maksimaalset kiirust: kasutage vaid sellist saeketast, mille kiirus on võrdne või suurem kui tööriistale märgitud kiirus.

Vahetage kulunud või kahjustatud laua siseosa välja.

Enne tööd tehke näidislõikamine, ilma et mootor oleks sisse lülitatud, et saaksite kontrollida lõiketera asendit, kaitsmete tööd teiste masina osade suhtes ja töödeldavat detaali.

Eerung-, kald- või liitnurgalõikeid sooritades reguleerige juhtpiire või alumine piire nii, et vahe saekettaga oleks õige.

Vältige sae kontrollimatut käivitumist, kui see on täielikult suunaga allapoole.

Toodet transportides peab käepide olema lukustatud.

Toodet tuleb hoiustada nullnurga ja kaldenurga all ning lukustatud asendis. Käepide peab olema suletud kaitsetega lukustatud alumisse (ohutus) asendisse.

Sõidukis transportimisel seadke toode alusele ja veenduge, et see ei liiguks.

Tõstke toodet ainult selleks ettenähtud käepidemete abil. Toodet tõstmiseks kasutage alati kahte kätt.

Hoidke põrandapind vaba lahtistest materjalidest, näiteks laastudest ja lõikamisjääkidest.

Hoiduge lõigatava detaali lõikamisjääkide või muude osade eemaldamisest lõikepiirkonnast, kui toode töötab ja saepea ei ole puhkeasendis.

Pikki detaile peab piisavalt toetama. Sae tööpiirkond hõlmab kogu töödeldava detaali ulatust. Seadme käitaja peab hoolitsemise selle eest, et selles alas puuduks juhuslik kokkupuude teiste inimeste või esemetega, mis võib töödeldavat detaali töötamise ajal liigutada.

Toote kasutamisel tekkinud tolm võib olla tervisele kahjulik. Kasutage tolmuimemissüsteemi ja kandke sobivat tolumumaski. Eemaldage laedastunud tolm põhjalikult tolmuimejaga.

Enne kald- või liitnurgalõigete tegemist võib-olla vajalik juhtpiiride reguleerimine nii, et vahe oleks õige. Veenduge, et piirdekaabli lukustuskruvi oleks pärast reguleerimist korralikult kinni.

Kinnitiit võib kasutada saeketta kummalgi poolel. Mõne töö puhul võib kinnitiit kettakaitses takistada. Enne lõikamist veenduge tõsiste kehavigastuste ohu vähendamiseks, et miski ei segaks kettakaitses.

**⚠ HOIATUS!** 70° kaldlõike tegemisel on lubatud ainult 0° kaldenurk.

Pöörlevaid pikenduslaua saab sõltuvalt soovitud lõiketüübist seada ühte kolmest asendist.

Ärge seadke pikenduslaua lukustamata asenditele. Seadke ainult ühte kolmest lukustatud asendist.

Kasutage pöörlevaid pikenduslaua, kui teete üle 45° kaldlõikeid.

Ärge asendage LED-tuld teist tüüpi LED-tulega. Parandustöid tohivad teha vaid tootja või selleks volitatud hooldusspetsialistid.

Välisingimustes toote kasutamisel soovivat tootja kasutada RCD-seadet, mille väljalülitus on seatud 30 mA juurde.

Toote kasutamisel võivad pingekõikumised mõjutada samas toiteahelas olevaid teisi elektritooteid ja valgustust. Pingekõikumiste minimeerimiseks ühendage tööriist toiteallikaga, mille takistus on 0,299 Ω. Täpsemat teavet saate oma elektritarnijalt

## TEA OMA TOODET

Vt lk 2–3.

1. Isoleeritud haardepinnaga käepide
2. Toitelüliti
3. Lukustusüliti hoo
4. LED-tule lüliti
5. Ülemine kaitse
6. Süsinikhari
7. Võlli lukustusnupp
8. Peosa lukustusihvt
9. Alumine kaitse
10. Lükandkaitse
11. Fikseeritud kaitse
12. Pöörlev pikenduslaud
13. Laua lukustusnupp
14. Eerungnurga kinnituselemendi möödaviigunupp
15. Eerungnurga lukustushoob
16. Paigaldusava
17. Lõikesügavuse reguleerkruvi
18. Lõikesügavuse lukustusmutter
19. Lõikesügavuse stopp-plaat
20. Kandekäepide
21. Kuuskantvõti
22. Kaldenurga lukustusnupp
23. Kaldenurga skaala
24. Pöörketas
25. Kruvid kaldemooturi lukustamiseks
26. Tolmukott
27. Liuguri piirdehoob
28. Liuguri lukustusnupp
29. Kalde lukustushoob
30. Klamber
31. Kaldemootur
32. LED-märgutuli
33. Välisäärik
34. Saeketas
35. Lõikeplaat

## VARUOSADE LOEND

- PS254DBE: Nurgasaag EN 847-1/ ø 254 x ø 30 x 2,6 / 48T / HW / n max 7400 min-1 (lk 3, nr 34)
- Lõikeplaat (lk 3, nr 35)
- Süsinikhari (lk 2, nr 6)

## HOOLDUS

Ärge muutke toodet mingil viisil ega kasutage tarvikuid, mida tootja pole heaks kiitnud. Teie ja teiste ohutus võib olla ohustatud.

Ärge kasutage toodet, kui lülidit, kaitseelemendid või muud funktsioonid ei tööta ettenähtud viisil. Professionaalseks remondiks või reguleerimiseks pöörduge volitatud teeninduskeskusesse.

Ärge tehke saeketta liikumise ajal mingeid seadistusi.

Enne toote reguleerimist, määrimist ja hooldustööde tegemist veenduge alati, et toode oleks vooluvõrgust lahti ühendatud.

Iga kord enne ja pärast kasutamist kontrollige toodet kahjustuste või purunenud osade suhtes. Hoidke toode heas töökorras, asendades osad viivitamatult tootja poolt heaks kiidetud varuosadega.

Lõiketera servad on teravad ja võivad pärast lõikamist olla kuumad. Olge äärmiselt ettevaatlik, kui puhastate avatud lõiketera. Vigastuste vältimiseks kandke kindaid.

Puhastage saagi ja selle tarvikuid, eriti liikuvaid osi (k.a terakaitset), regulaarselt tolmu. Tolmu efektiivselt eemaldamiseks kasutage käsiharja või tolmuimejat. Ärge kasutage sुरूhku.

Plastosade puhastamisel vältige lahustite kasutamist. Enamik plastikuid on vastuvõtlikud erinevat tüüpi kaubanduslikele lahustitele ja võivad kokkupuutel saada kahjustada. Kasutage mustuse, süsinikutolmu jms eemaldamiseks puhtaid lappe.

Kasutage üksnes AEG tarvikuid ja AEG varuosi. Kui on vaja asendada osi, mida siin ei ole kirjeldatud, võtke ühendust AEG hooldusspetsialistiga (vt meie garantii/hooldusega seotud aadresside nimekirja).

EN
DE
FR
IT
ES
PT
NL
DA
NO
SV
FI
EL
TR
CS
SK
PL
HU
SL
HR
LV
LT
ET
RU
BG
RO
MK
UK
AR



Vajaduse korral saab tellida toote jooniseid. Märkige etiketile trükitud toote tüüp ja seerianumber ning tellige joonis kohalikul hooldusspetsialistilt või otse aadressilt: Techtronic Industries GmbH, Max-Eyth-Straße 10, 71364 Winnenden, Germany.

## SÜMBOLID

	Enne toote kasutamist lugege juhised korralikult läbi.
	ETTEVAATUST! HOIATUS! OHT!
	Enne toote juures mistahes tööde teostamist eemaldage pistik vooluvõrgust.
	II klassi tööriist, topeltisolatsioon
	Kasutage silmakaitseid.
	Kasutage kõrvakaitsmeid.
	Ärge jätke vihma kätte ega kasutage niisketes kohtades.
	Kandke kaitsekindaid.
	Hoidke käed löikepiirkonnast ja teravast saekettast eemal.
	ETTEVAATUST! Ärge vaadake töö ajal põlevasse valgusallikasse.
	Saeketta pöörlemissuund
	Löiketera hammas
	Löikelaius
	Löikekiirus
	Võlli ava ja saeketta suurus
	Ainult puidu lõikamiseks
	Enne kald- või liitnurgalõigete sooritamist reguleerige juhtpiire asendit.



Ärge kõrvaldage elektri-ja elektronikaseadmete jäätmeid sortimata olmejäätmetena.

Elektri-ja elektronikaseadmete jäätmed tuleb koguda eraldi.

Jäätmetest valgusallikad tuleb seadmetest eemaldada.

Taaskasutusnõuannete ja kogumispunktiga seotud teabe saamiseks pöörduge kohaliku omavalitsuse või edasimüüja poole.

Kohalike eeskirjade kohaselt võib jaemüüjatel olla kohustus elektri-ja elektronikaseadmete jäätmed tasuta tagasi võtta.

Teie panus elektri-ja elektronikaseadmete jäätmete korduskasutamisse ja ringlussevõttu aitab vähendada toorainete nõudlust.

Elektri-ja elektronikaseadmete jäätmed sisaldavad väärtuslikke ja ringlussevõetavaid materjale, mis võivad keskkonda ja inimeste tervist kahjustada, kui neid ei kõrvaldata keskkonnasäästlikul viisil.

Olemasolul kustutage jäätmeseadmetest isikuandmed.

V

Pinge

~

Vahelduvvool

CE

Euroopa vastavusmargis

001

Ukraina vastavusmargis

EAC

Euraasia vastavusmärk

## RU ПЕРЕВОД ОРИГИНАЛЬНЫХ ИНСТРУКЦИЙ

### ИСПОЛЬЗОВАНИЕ

Торцовочная пила предназначена для распила массивной и клееной древесины, а также аналогичных дереву материалов с добавлением шпона и пластика или без них.

К работе с торцовочной пилой допускаются только совершеннолетние лица, ознакомившиеся с инструкцией по эксплуатации и осознающие связанные с этим риски и угрозы.

Торцовочная пила фиксируется основанием на твердой столешнице верстака. При ненадежной фиксации основания в ходе эксплуатации вся машина может сместиться, что повышает риск получения серьезных травм.

Торцовочная пила предназначена для выполнения наклонного или косога распила. Производительность по различным видам распила приводится в технических характеристиках изделия в настоящем руководстве.

Торцовочная пила подлжет использованию в сухом помещении в условиях достаточного освещения и вентиляции.

Торцовочная пила может использоваться только в соответствии с данной инструкцией и не предназначена для иных целей.

Используйте устройство строго по назначению, указанному в настоящем руководстве.

**⚠ ОСТОРОЖНО! Ознакомьтесь со всеми инструкциями по технике безопасности, иллюстрациями и техническими**



характеристиками, входящими в комплект изделия. Несоблюдение всех инструкций, указанных ниже, может привести к поражению электрическим током, пожару и / или серьезным травмам.

Храните все предупреждения и инструкции для дальнейшего использования.

### ПРАВИЛА ТЕХНИКИ БЕЗОПАСНОСТИ ПРИ ИСПОЛЬЗОВАНИИ ТОРЦОВОЧНЫХ ПИЛ

Торцовочные пилы предназначены для распила деревянных и древесноподобных изделий и не предназначены для работы с абразивными кругами для резки изделий из черного металла, таких как арматура, стержни, гвозди и т.д. Абразивная пыль способствует заклиниванию движущихся деталей, например, нижнего защитного кожуха. Искры, образующиеся в процессе абразивной резки, способны оплавить нижний защитный кожух, направляющий вкладыши и другие детали из пластмассы.

По возможности зажимайте обрабатываемую деталь в тисках. При удержании обрабатываемой детали вручную вне зависимости от обстоятельств обеспечивайте, чтобы рука всегда находилась не ближе 100 мм от полотна пилы. Запрещается использовать данную пилу для резки слишком мелких деталей, которые невозможно безопасно удерживать в зажиме или вручную. Если ваша рука находится слишком близко к полотну пилы, возрастает риск получения травмы.

Обрабатываемая деталь должна быть надежно зафиксирована в зажиме или между ограничителем и столом. Запрещается подводить обрабатываемую деталь к полотну или свободно удерживать ее руками. Без надлежащей фиксации обрабатываемая деталь может вылететь и нанести травму.

Распил обрабатываемой детали следует выполнять движением от себя. Запрещается выполнять распил обрабатываемой детали движением на себя. Для выполнения распила поднимите головку пилы, наведите ее на обрабатываемую деталь без выполнения распила, запустите двигатель, опустите головку пилы и выполните распил движением от себя. Распил движением на себя с высокой долей вероятности может привести к соскакиванию полотна пилы из линии распила на сторону оператора.

Запрещается помещать руку на предполагаемой линии распила перед или за полотном пилы. Удерживать обрабатываемую деталь «крест накрест», т.е. с правой стороны полотна левой рукой или наоборот, очень опасно.

Запрещается заводить руку за ограничитель ближе 100 мм от вращающегося полотна пилы для удаления опилок и иных целей. Вы можете неправильно оценить расстояние до вращающегося полотна и получить серьезную травму.

Перед выполнением распила следует осмотреть обрабатываемую деталь. В случае изгиба или искривления обрабатываемой детали зажмите ее внешней изогнутой стороной к ограничителю. Всегда следите за тем, чтобы по линии распила отсутствовал зазор между обрабатываемой деталью, ограничителем и столом. Изогнутые или искривленные обрабатываемые детали подвержены скручиванию и смещению, что может стать причиной защемления полотна во время распила. В обрабатываемой детали не должно быть гвоздей и других посторонних предметов.

Использование пилы допускается только после удаления со стола всех инструментов, опилок и прочего. Небольшой сор, древесные щепки и другие предметы при соприкосновении с вращающимся полотном могут разлетаться с высокой скоростью.

Единоновременно следует выполнять распил только одной детали. Обеспечить надлежащую фиксацию сложных вместе деталей невозможно, и это может привести к повреждению полотна или смещению обрабатываемых деталей.

Перед началом работы убедитесь в том, что торцовочная пила установлена на ровной твердой поверхности. Ровная твердая поверхность снижает риск нарушения устойчивости торцовочной пилы.

Работы следует выполнять по плану. При каждом изменении угла скоса или наклона следует соответствующим образом регулировать положение ограничителя для фиксации обрабатываемой детали и предотвращения его контакта с полотном и системой защитных кожухов. Не включая инструмент и не размещая обрабатываемую деталь на столе, проведите полотно по всей длине предполагаемого распила, убедившись в отсутствии помех и вероятности столкновения с ограничителем.

При обработке детали, длина которой превышает длину столешницы, используйте дополнительные приспособления, например, удлинители стола, пыльные козлы и т.д. Если длина или ширина обрабатываемой детали превышает длину или ширину поверхности стола торцовочной пилы, без надлежащей поддержки может произойти ее опрокидывание. В случае опрокидывания отрез или деталь может поднять нижний защитный кожух или быть отброшен(-а) вращающимся полотном.

Поддержка длинной детали с помощью человека вместо удлинителя стола не допускается. Нестабильная фиксация обрабатываемой детали в процессе распила может стать причиной повреждения полотна или смещения детали, что может привести к затягиванию оператора или страхующего в рабочую зону полотна пилы.

Запрещается давить на отрезаемый край детали в процессе распила. В зажатых условиях, например, при использовании упоров для установки длины, возможно резкое отбрасывание отреза вращающимся полотном.

Необходимо использовать зажим или специальное крепление для надежной фиксации круглых изделий, таких как арматура и труба. В ходе распила может произойти проворачивание и «закусывание» арматуры, и, как следствие, затягивание детали вместе с вашей рукой в рабочую зону полотна.

Перед началом распила дождитесь, пока полотно достигнет максимальной скорости вращения. Это позволит снизить риск отбрасывания детали.

В случае застревания обрабатываемой детали или полотна отключите торцовочную пилу. Дождитесь остановки всех движущихся частей и отсоедините устройство от источника питания и/или извлеките аккумуляторный блок. Далее высвободите застрявшую деталь. Дальнейший распил застрявшей детали может привести к потере контроля и повреждению торцовочной пилы.

По завершению распила отпустите переключатель, и не поднимая головку пилы, дождитесь остановки полотна, после чего извлеките отрез. Подносить руку к вращающемуся по инерции полотну опасно.

При выполнении частичного распила или отключении пилы до полного опускания головки, твердо удерживайте рукоять. Торможение пилы может стать причиной резкой оттяжки головки вниз и сопряжено с риском получения травм.

### ПРАВИЛА ТЕХНИКИ БЕЗОПАСНОСТИ ПРИ ИСПОЛЬЗОВАНИИ ПОЛТНА ПО ДЕРЕВУ

Перед началом использования полотна пилы и самого устройства внимательно ознакомьтесь с руководством и всеми инструкциями.

Устройство должно быть в хорошем состоянии, шпindelь не должен быть деформирован и не должен создавать вибрацию.

Работа с устройством без надлежащей установки защитных кожухов не допускается. Содержите защитные кожухи в хорошем рабочем состоянии и своевременно осуществляйте необходимое техническое обслуживание.

Убедитесь в том, что оператор ознакомлен со всеми мерами предосторожности, а также порядком настройки и эксплуатации изделия.

В процессе работы с изделием следует использовать защитные очки и средства защиты органов слуха. Рекомендуется использовать перчатки, прочные ботинки с нескользкой подошвой и фартук.

Перед использованием какой-либо принадлежности сверьтесь с руководством по эксплуатации. Ненадлежащее использование какой-либо принадлежности может привести



- EN
- DE
- FR
- IT
- ES
- PT
- NL
- DA
- NO
- SV
- FI
- EL
- TR
- CS
- SK
- PL
- HU
- SL
- HR
- LV
- LT
- ET
- RU
- BG
- RO
- MK
- UK
- AR





к повреждению оборудования, а также повышению риска получения травм.

Допускается использование только полотен, указанных в настоящем руководстве и соответствующих стандарту EN 847-1.

Учитывайте значение максимальной скорости вращения, указанное на пыльном полотне. Убедитесь, что значение скорости вращения, указанное на пыльном полотне, как минимум равно значению (или превышает его), указанному на самой пиле.

Независимо от обстоятельств, используйте пыльные полотна с отверстием под вал пилы правильного размера и формы. Пыльные полотна, не соответствующие элементам крепления пилы, будут смещаться относительно центра, вызывая потерю управляемости.

Запрещается использование пыльных полотен большего или меньшего размера, чем указано в рекомендациях.

Запрещается использовать какие-либо проставки для установки пыльного полотна на шпинделе.

Перед каждым использованием инструмента проверяйте концы полотна на предмет наличия повреждений или изменений во внешнем виде. Концы полотна, имеющие повреждения или признаки износа, могут в процессе эксплуатации превратиться в летающие объекты, что приведет к повышению риска получения травм.

Запрещается использовать пыльные полотна, имеющие трещины или изгибы. Запрещается использовать пыльные полотна, имеющие повреждения или признаки деформации.

Пыльные полотна, имеющие повреждения, признаки деформации, трещины или изгибы, подлежат утилизации. Ремонт подобных изделий запрещен.

Запрещается использовать пыльные полотна из быстрорежущей стали.

Перед началом работы проверьте правильность установки полотна и затяните зажимную гайку (момент затяжки - прим. 12 Нм).

Крепежный винт и гайки следует затягивать с помощью подходящего ключа и других подобных инструментов.

Запрещается использовать для затяжки ключи с удлинительными насадками, а также производить затяжку ударами молотка.

Убедитесь, что полотно и фланцы не содержат загрязнений, а также что муфты расположены стороной с вырезами по направлению к полотну.

Убедитесь, что полотно вращается в правильном направлении.

Перед началом работы выполните тренировочный разрез, не включая двигатель, чтобы проверить положение полотна, рабочее состояние защитных кожухов и обрабатываемой детали.

Никогда не оставляйте изделие без присмотра.

Запрещается наносить смазку на полотно во время его вращения.

Независимо от обстоятельств запрещается осуществлять чистку или техническое обслуживание на работающей машине и без перевода головки в нейтральное положение.

Независимо от обстоятельств запрещается останавливать движущиеся части машины посредством резкого заклинивания полотна инструментом или любым иным предметом. В подобных случаях существует крайне высокий риск получения серьезных травм.

Перед заменой полотна или проведением технического обслуживания отключите изделие от электрической сети или извлеките аккумуляторный блок.

Будьте внимательны при упаковке и распаковке полотна, а то легко можете пораниться острыми концами полотна.

При выполнении манипуляций с полотном используйте специальный держатель или наденьте перчатки.

Хранение полотна должно осуществляться в оригинальной упаковке или иной подходящей упаковке, в сухих помещениях вдали от химических веществ, способных повредить полотно.

## ДОПОЛНИТЕЛЬНАЯ ТЕХНИКА БЕЗОПАСНОСТИ И ИНСТРУКЦИИ ПО ЭКСПЛУАТАЦИИ

Независимо от обстоятельств обеспечивайте надежное и безопасное закрепление обрабатываемой детали.

Устройство всегда должно быть устойчивым и надежно закрепленным (например, на верстаке).

Всегда используйте средства защиты органов слуха.

Воздействие шума может привести к потере слуха.

В процессе работы с изделием используйте защитные очки. Рекомендуется использовать перчатки для работы с полотном и необработанным материалом, а также прочные ботинки с нескользкой подошвой для защиты ног от обрабатываемых деталей, которые могут падать из зоны резки.

Перед проведением любых операций по техническому обслуживанию или очистке отключите изделие от электрической сети или извлеките аккумуляторный блок.

Подключение изделия к электрической сети допускается только в выключенном состоянии.

Шнур питания должен находиться за пределами рабочего диапазона изделия. Шнур должен проходить за пределами зоны, в которой находится оператор.

Запрещается помещать руки в область возле полотна до его полной остановки.

Перед использованием тщательно осмотрите изделие, кабель и штепсельную вилку на предмет наличия повреждений и усталости материалов. Ремонт изделия, включая шнур питания, должен выполняться только в авторизованном сервисном центре.

Независимо от обстоятельств используйте защитные щитки. Воздержитесь от использования изделия, если защита не установлена или работает ненадлежащим образом.

Нижнюю защиту полотна можно открывать только в момент опускания полотна на обрабатываемую деталь, и должна всегда перемещаться беспрепятственно и закрываться автоматически.

В процессе работы всегда используйте наставки для поддержки обрабатываемой детали.

Запрещается вносить изменения в конструкцию или функциональные характеристики изделия. Это может существенно снизить степень вашей безопасности.

Запрещается использовать пыльные полотна, имеющие повреждения, деформацию или трещины.

Запрещается использовать пыльные полотна, выполненные из быстрорежущей стали.

Допускается использование только острых полотен. Затупленные полотна подлежат замене.

Независимо от обстоятельств, используйте пыльные полотна с отверстием под вал пилы правильного размера и формы. Пыльные полотна, не соответствующие элементам крепления пилы, будут смещаться относительно центра, вызывая потерю управляемости.

Допускается использование только полотен по дереву, указанных в настоящем руководстве и соответствующих стандарту EN 847-1.

Запрещается использовать какие-либо фланцы, шайбы или гайки для закрепления пыльного полотна, за исключением крепежных элементов из комплекта инструмента или указанных в руководстве по эксплуатации.

Используйте только пыльные полотна, предназначенные для работы с материалом обрабатываемой детали. Использование этого изделия для резки материалов, не указанных в разделе «Назначение» настоящего руководства, не допускается ни при каких обстоятельствах.

При выполнении распила важно не допускать перегрева полотна и оплавки пластиковых деталей.

Запрещается превышать максимальную скорость вращения, указанную на пыльном полотне. Используйте только пыльные полотна, на которых указано значение скорости вращения, как минимум равное значению (или превышает его), указанному на самом инструменте.

Изношенная или поврежденная пластина для пропила подлежит замене.



Перед началом работы выполните тренировочный разрез, не включая двигатель, чтобы проверить положение полотна, рабочее состояние защитных кожухов и обрабатываемой детали.

При выполнении наклонных, косых или комбинированных распилов подвижный защитный кожух следует регулировать с учетом необходимого зазора.

Не допускайте неконтролируемого отброса пилы из нижнего положения.

В процессе транспортировки изделия независимо от обстоятельств необходимо использовать механизм блокировки рукоятки.

Хранение изделия должно осуществляться с фиксацией указателя угла наклона и скоса на нулевой отметке. Рукоятка должна быть зафиксирована в крайнем нижнем (безопасном) положении при закрытых защитных кожухах.

При транспортировке в автомобиле необходимо установить изделие на основание и предотвратить перемещение инструмента.

Подъем изделия следует осуществлять только за специальные рукоятки. Независимо от обстоятельств подъем изделия следует осуществлять двумя руками.

Не допускайте попадания на пол сыпучих материалов, таких как опилки и обрезки.

Воздержитесь от уборки каких-либо обрезков и прочих частей обрабатываемой детали в зоне резки во время работы инструмента и без перемещения головки пилы в нейтральное положение.

Длинные обрабатываемые детали необходимо надежно фиксировать. Рабочая зона пилы включает в себя полностью всю обрабатываемую деталь. Оператор должен обеспечить эту зону от случайного соприкосновения с другими людьми или предметами, которые могут вызвать смещение обрабатываемой детали во время работы.

Пыль, образуемая в процессе эксплуатации изделия, может нанести вред здоровью. Используйте систему отсоса пыли и соответствующий респиратор для защиты от пыли. Тщательно удаляйте скапливающуюся пыль с помощью пылесоса.

Перед выполнением косых или комбинированных распилов может потребоваться регулировка подвижного защитного кожуха с учетом необходимого зазора. После регулировки надежно затяните винт фиксации подвижной защиты.

Допускается установка и использование зажима на любой из сторон полотна. В отдельных случаях зажим может соприкоснуться с конструкцией защитного кожуха. Для снижения риска получения серьезных травм перед началом резки обеспечьте отсутствие контакта зажима с защитным кожухом полотна.

**⚠ ОСТОРОЖНО!** При выполнении наклонного распила под углом 70° допускается использование только угла скоса 0°.

Вращающиеся раздвижные верстаки можно устанавливать в одно из трех положений, в зависимости от требуемого типа резки.

Запрещается устанавливать раздвижные верстаки в положение без фиксации. Они должны находиться только в одном из трех положений с фиксацией.

Используйте вращающиеся раздвижные верстаки при выполнении распила с наклоном под углом более 45°.

Установка светодиодной подсветки другого типа запрещена. Ремонтные работы должны выполняться только производителем или авторизованным сервисным центром.

При использовании изделия вне помещения производитель рекомендует использовать устройство дифференциального тока (УДТ) с порогом срабатывания 30 мА.

В процессе эксплуатации изделия колебания напряжения могут оказать влияние на другое электрооборудование или системы освещения, подключенные к той же самой цепи электропитания. Чтобы свести к минимуму колебания напряжения, подключайте инструмент к источнику питания с полным сопротивлением на уровне 0,299 Ом. Для получения дополнительной информации свяжитесь со своим поставщиком электроэнергии.

## ИНФОРМАЦИЯ ОБ ИЗДЕЛИИ

См. стр. 2-3.

1. Рукоять, изолированная поверхность захвата
2. Выключатель питания
3. Рычаг фиксатора переключателя
4. Выключатель светодиодной подсветки
5. Верхний защитный кожух
6. Графитовая щетка
7. Кнопка блокировки шпинделя
8. Шплинт для фиксации головки
9. Нижний защитный кожух
10. Подвижный защитный кожух
11. Стационарный защитный кожух
12. Вращающийся раздвижной верстак
13. Кнопка блокировки верстака
14. Кнопка обвода фиксатора угла наклона
15. Рычаг для фиксации угла наклона
16. Крепежное отверстие
17. Винт регулировки глубины пропила
18. Стопорная гайка регулировки глубины пропила
19. Стопорная пластина глубины пропила
20. Рукоять для переноски
21. Шестигранный ключ
22. Кнопка фиксации угла скоса
23. Шкала угла скоса
24. Поворотный верстак
25. Винты для фиксации шкалы угла наклона
26. Мешок для сбора пыли
27. Ограничительный рычаг направляющей шины
28. Кнопка фиксации направляющей шины
29. Рычаг фиксации угла скоса
30. Зажим
31. Шкала угла наклона
32. Светодиодная лампа
33. Внешний фланец
34. Пильное полотно
35. Торцевая пластина

## ПЕРЕЧЕНЬ ЗАПАСНЫХ ЧАСТЕЙ

- PS254DBE: Торцовочная пила, выполненная по стандарту EN 847-1/ ø254 x ø30 x 2,6 / 48T / HW / n max. 7400 min-1 (стр. 3, № 34)
- Торцевая пластина (стр. 3, № 35)
- Графитовая щетка (стр. 2, № 6)

## ОБСЛУЖИВАНИЕ

Запрещается вносить какие-либо изменения в изделие, а также использовать с ним принадлежности, не рекомендованные производителем. В подобном случае может возникнуть угроза для вашей безопасности и безопасности других людей.

Запрещается использовать изделие в случае, если какие-либо выключатели, защитные кожухи или иные функции не работают должным образом. Отправьте изделие в авторизованный сервисный центр для профессионального ремонта или регулировки.

Запрещается выполнять регулировку каких-либо параметров при вращающемся пильном полотне.

Перед регулировкой, нанесением смазки или проведением какого-либо технического обслуживания изделия следует отключить его от электрической сети.

Перед и после использования осматривайте изделие на предмет наличия повреждений или поломок. Содержите изделие в идеальном рабочем состоянии, без промедления осуществляйте замену деталей с использованием запасных частей, одобренных производителем.

Пильное полотно имеет острые края и после завершения работы может иметь высокую температуру. При очистке полотна соблюдайте особую осторожность. Для защиты от травм используйте перчатки.

Необходимо регулярно выполнять очистку пыли и дополнительных принадлежностей от пыли, особенно подвижных деталей, в том числе защитного кожуха полотна. Для эффективного удаления пыли используйте обыкновенную щетку или пылесос. Запрещается использовать сжатый воздух.

В процессе очистки пластиковых деталей не используйте растворители. Большинство пластмасс подвержены лагубному



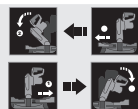
воздействию различных типов бытовых растворителей и могут быть повреждены под их воздействием. Для удаления грязи, карбоновой пыли и т.д. используйте чистую ткань.

Используйте только дополнительное оборудование AEG и запасные детали AEG. При необходимости замены не указанных здесь компонентов обратитесь к одному из сервисных представителей AEG (см. перечень адресов гарантийных/сервисных центров).

В случае необходимости можно заказать изображение изделия в разобранном виде. Заявку с указанием типа изделия, а также серийного номера, напечатанного на этикетке, отправьте одному из сервисных представителей в вашем регионе или по адресу: Techtronic Industries GmbH, Max-Eyth-Straße 10, 71364 Winnenden, Germany.

## УСЛОВНЫЕ ОБОЗНАЧЕНИЯ

	Перед запуском изделия ознакомьтесь с инструкцией.
	ОСТОРОЖНО! ОСТОРОЖНО! ОПАСНО!
	Перед выполнением каких-либо работ на изделии отсоединяйте штепсельную вилку от электрической розетки.
	Инструмент класса II, с двойной изоляцией
	Используйте защитные очки.
	Используйте средства защиты органов слуха.
	Не допускайте воздействия на изделие дождя и влаги.
	Используйте защитные перчатки.
	Держите руки на расстоянии от зоны резки и острого полотна.
	ОСТОРОЖНО! Запрещается напрямую смотреть на светодиодную подсветку.
	Направление вращения полотна
	Число зубьев
	Ширина распилы
	Отверстие для шпинделя и размер полотна
	Только для резки дерева



Перед выполнением косых или комбинированных распилов отрегулируйте положение подвижного защитного кожуха.



Утилизация электрического и электронного оборудования в месте с несортированными бытовыми отходами не допускается.

Сбор электрического и электронного оборудования в целях утилизации должен осуществляться отдельно.

Перед утилизацией необходимо извлечь из оборудования источники света.

Уточните порядок утилизации и местонахождения пункта приема у местных властей или поставщика.

Ритейлеры могут быть обязаны бесплатно принимать электрическое и электронное оборудование на утилизацию в соответствии с местными регламентами.

Ваш вклад в повторную переработку электрического и электронного оборудования позволит сократить потребность в сырье.

Электрическое и электронное оборудование содержит ценные и подлежащие повторной переработке материалы, которые в случае ненадлежащей утилизации способны вредить экологии и здоровью людей.

Перед утилизацией удалите с оборудования все персональные данные.

V

Напряжение

~

Переменный ток

CE

Знак соответствия европейским стандартам

001

Знак соответствия Украины

EAC

Знак Евразийского Соответствия

## ВГ ПРЕВОД НА ОРИГИНАЛНИТЕ ИНСТРУКЦИИ

### ОПРЕДЕЛЕНИ УСЛОВИЯ НА УПОТРЕБА

Циркулярът за рязане под тъгъл е предназначен за отрязване на масивно и лепено дърво, материали подобни на дърво, с или без залепен фурнир и пластмаса.

Циркулярът е предназначен да се използва само от възрастни оператори, които са прочели ръководството с инструкции и разбират рисковете и опасностите.

Циркулярът е проектиран да бъде фиксиран в основата си на твърд плот. Ако основата не е здраво закрепена, цялата машина може да се премести по време на операции за рязане, което увеличава възможността от сериозни наранявания.

Циркулярът за рязане под тъгъл е предназначен за направа на конусни и наклонени срязвания. Възможностите за различни рязания са предвидени в спецификациите на продукта в това ръководство.



Циркулярът трябва да се използва на сухи места, с отлично осветление на обкръжаващата среда и подходяща вентилация.

Циркулярът е предназначен за потребителска употреба, трябва да се използва само както е описано по-горе и не е предназначен за други цели.

Не го използвайте за никакви други цели.

**⚠ ПРЕДУПРЕЖДЕНИЕ!** Прочетете всички инструкции с предупреждения за безопасност, илюстрации и спецификации, предоставени с този продукт. Неспазването на инструкциите, изброени по-долу, може да доведе до електрически удар, пожар и/или тежки физически травми.

**Запазете всички предупреждения и инструкции за бъдещи справки.**

### ИНСТРУКЦИИ ЗА БЕЗОПАСНОСТ ЗА ЦИРКУЛЯРИ ЗА РЯЗАНЕ ПОД ЪГЪЛ

Циркулярите за рязане под ъгъл са предназначени за рязане на дървесина или подобни на дървесина продукти. Те не могат да се използват с абразивни режещи дискове за рязане на железни материали, като напр. шанги, пръти, шипове и др. Абразивният прах води до засядане на движещите се части, като напр. долния предпазител. Искрите от абразивното рязане ще изгорят долния предпазител, вложката с прорез и други пластмасови части.

Използвайте стеги, за да закрепите работния детайл, когато е възможно. Ако поддържате работния детайл с ръка, винаги трябва да я държите най-малко на 100 mm от двете страни на режещия диск. Не използвайте този циркуляр за рязане на детайли, които са прекалено малки и не могат да се захванат здраво с помощта на стеги или с ръка. Ако ръката ви се намира твърде близо до режещия диск, се увеличава рискът от нараняване при контакт с острието.

Работният детайл трябва да е неподвижен и захванат или държан както срещу водача, така и срещу масата. Не придвижвайте работния детайл към острието или не режете „свободно“ по никакъв начин. Незахванати или движещи се работни детайли могат да бъдат изхвърлени при високи обороти и да причинят нараняване.

Натискайте циркуляра през работния детайл. Не дърпайте циркуляра през работния детайл. За да направите разрез, повдигнете режещата глава и я издърпайте над работния детайл, без да режете. След това стартирайте мотора, натиснете режещата глава надолу и натиснете циркуляра през детайла. Ако режете чрез издърпване, това може да повдигне режещия диск над работния детайл и острието да бъде изхвърлено към оператора.

Никога не поставяйте ръката си на предвидената линия на рязане, независимо от коя страна на острието. Поддържането на детайла „кръстосано“, т.е. ако държите работния детайл отдалечено на острието с лявата си ръка или обратно, е много опасно.

Не посягайте зад водача с ръка, на по-малко от 100 mm от двете страни на острието, за да отстраните стърготини или поради някаква друга причина, докато острието се върти. Възможно е да не забележите, че ръката ви е близо до въртящото се острие и може да получите сериозно нараняване.

Проверете работния детайл преди рязане. Ако работният детайл е огънат и изкривен, го захванете с външната, огънатата страна към водача. Винаги се уверявайте, че няма луфт между работния детайл, водача и масата по протежение на линията на рязане. Огънати или изкривени работни детайли могат да се усучат или изместят и това може да доведе до засичане на режещия диск по време на рязане. В работния детайл не трябва да има нито пирони, нито други чужди предмети.

Не използвайте циркуляра, докато не премахнете всички инструменти, стърготини и др. от масата и на нея се намира само работният детайл. Малки отломки, хлабави парчета дърво или други предмети, които влизат в контакт с въртящото се острие, могат да бъдат изхвърлени с голяма скорост.

Резете само един работен детайл. Ако желаете да работите по няколко детайла едновременно, те не могат да бъдат

захванати или стегнати правилно и могат да се изместят или да причинят засядане на острието по време на рязане.

**Преди употреба се уверете се, че циркулярът за рязане под ъгъл е монтиран или поставен върху равна, здрава работна повърхност.** Равната и здрава повърхност намалява риска от нестабилност на циркуляра за рязане под ъгъл.

**Планирайте работата си.** Всеки път, когато промените настройката на наклона или ъгъла, се уверявайте, че регулируемият водач е настроен правилно, за да поддържа работния детайл и няма да влезе във взаимодействие с острието или предназначата система. Без да включвате инструмента и работният детайл се намира върху масата, направете пълен въображаем разрез, за да се уверите, че дискът няма да влезе във взаимодействие или да среже водача.

**Осигурете достатъчно подпори, като напр. разширения на масата, „магаре“ и др., работен детайл, който е по-широк или по-дълъг от горната страна на масата.** Работни детайли, които са по-дълги или по-широки от масата на циркуляра за рязане под ъгъл, могат да се преобърнат, ако не са закрепени. Ако отрязаното парче и работният детайл се преобърне, може да повдигне долния предпазител или да бъде изхвърлен от въртящото се острие.

**Не използвайте друг човек като заместител за разширение на масата или за допълнителна поддръжка.** Нестабилната поддръжка на работния детайл може да доведе до засядане на острието или до изместване на детайла по време на операцията за рязане, което да дръпне вас и помощника ви към въртящото се острие.

Отрязаното парче не трябва да засяда или да се натиска по никакъв начин към въртящия се режещ диск. Ако е ограничен, т.е. с помощта на ограничители на дължината, отрязаното парче може да бъде захванат от острието и да бъде изхвърлено.

Винаги използвайте стеги или приспособление, предназначено за правилна поддръжка на кръгли материали, като напр. пръти или тръби. Прътите имат тенденция да се търкалят по време на рязане, което води до „захапване“ на острието и издърпване на ръката ви към него.

**Оставете острието да достигне пълна скорост, преди да влезе в контакт с работния детайл.** Това ще намали риска от изхвърляне на работния детайл.

Ако детайлът или дискът се заклинни, изключете потапящия циркуляр. Изчакайте всички движещи се части да спрат и изключете щепсела от електрозахранването и/или извадете акумулаторната батерия. След това освободете заклинения материал. Продължителното рязане при заседнал работен детайл може да причини загуба на контрол или повреда на циркуляра за рязане под ъгъл.

След като завършите разреза, освободете превключвателя, задържете режещата глава надолу и изкачайте острието да спре, преди да махнете отрязаното парче. Приближаването на ръката ви до острието е опасно.

Дръжте здраво ръкохватката, когато правите непълен разрез или когато освобождавате превключвателя, преди режещата глава да бъде изцяло в долна позиция. Спиратното действие на циркуляра може да доведе до рязко издърпване надолу на режещата глава и до риск от нараняване.

### ИНСТРУКЦИИ ЗА РАБОТА С ОСТРИЕТА ЗА РЯЗАНЕ НА ДЪРВО

Моля, прочетете ръководството и инструкциите внимателно, преди да използвате циркулярния диск и машината.

Продуктът трябва да бъде в добро състояние, шпинделът да не е деформиран и да няма вибрации.

Не използвайте продукта, ако предпазителите не са поставени на място. Дръжете предпазителите в добро състояние за работа и извършвайте подходяща поддръжка.

Уверете се, че операторът има подходящо обучение за мерки за безопасност, регулиране и работа с продукта.

Винаги носете предпазни очила и антифони, когато използвате продукта. Препоръчително е да се носят ръкавици, здрави обувки без подхлъзване и престилка.

EN
DE
FR
IT
ES
PT
NL
DA
NO
SV
FI
EL
TR
CS
SK
PL
HU
SL
HR
LV
LT
ET
RU
BG
RO
MK
UK
AR





Преди да използвате какъвто и да е аксесоар се консултирайте с ръководството. Неправилната употреба на аксесоар може да причини повреда и да увеличи възможността от нараняване.

Използвайте само остриета, посочени в настоящото ръководство, които са в съответствие с EN 847-1.

Наблюдавайте максималната скорост, отбелязана на острието на триона. Уверете се, че скоростта, отбелязана на острието на триона, е поне равна на скоростта, отбелязана на триона.

Винаги използвайте циркулярни дискове с правилен размер и форма на отворите за вала. Остриета, които не съответстват на монтажната рамка на триона, ще работят ексцентрично, причинявайки загуба на контрол.

Не използвайте остриета с по-голям или с по-малък диаметър от препоръчителния. Не използвайте разделители, за да напаснете острието върху шпинделата.

Проверявайте върховете на циркулярното острие за повреда и необичаен външен вид преди всяка употреба. Върховете, които са повредени или хлабави, могат да се превърнат в летящи предмети при употреба и да увеличат възможността от физически наранявания.

Не използвайте пукнати или изкривени циркулярни остриета. Не използвайте циркулярни остриета, които са повредени или деформирани.

Извършете циркулярното острие, ако е повредено, деформирано, изкривено или пукнато; не е разрешен ремонт.

Не използвайте остриета от бързорежеща стомана.

Уверете се, че циркулярният диск е правилно монтиран, затегнете надеждно гайката на вала преди използване (момент на затягане прикл. 12 Nm).

Винтовете и гайките за закрепване трябва да се затягат с помощта на подходящ ключ и др.

Не се разрешава удължаване на ключа или затягане с чук.

Уверете се, че острието и фланците са чисти, а вдлъбнатите страни на пръстена са срещу острието.

Уверете се, че острието се върти в правилната посока.

Преди работа направете пробен разрез, без да включвате мотора, за да проверите позицията на острието, работата на предпазителите по отношение на други части на машината и работния детайл.

Никога не оставяйте продукта без надзор.

Не използвайте лубриканти върху острието, докато се върти.

Никога не извършвайте дейности по почистване или поддръжка, докато машината все още работи и главата не е в позиция на покой.

Никога не се опитвайте да спрете машината при бързо движение чрез заклиняване на инструмента или по друг начин срещу циркулярния диск, по този начин може неволно да бъдат причинени сериозни зполупуки.

Изключете продукта от електрическата мрежа или извадете акумулаторната батерия преди смяна на циркулярните дискове или извършване на поддръжка.

Обърнете внимание на опаковането и разопаковането на циркулярния диск, лесно е да бъдат наранени от острието върховете на циркулярния диск.

Използвайте държач за острие или носете ръкавици, когато работите с циркулярно острие.

Съхранявайте циркулярния диск в оригиналната опаковка или друга подходяща опаковка, в сухи условия и далеч от химикали, които могат да повредят остриетата.

## ДОПЪЛНИТЕЛНИ ИНСТРУКЦИИ ЗА РАБОТА И БЕЗОПАСНОСТ

Винаги стягайте обработвания детайл безопасно и сигурно.

Уверете се, че продуктът винаги е стабилен и закрепен (напр. закрепен към тезгях).

Винаги носете протектори за ушите. Излагането на шум може да доведе до увреждане на слуха.

Винаги носете предпазни очила при използване на продукта. Препоръчително е да се носят ръкавици за работа с циркулярни дискове и груб материал, както и здрави обувки

без приплъзване, за защита на краката от обработвани детайли, които могат паднат от зоната за рязане.

Изключете продукта от електрическата мрежа или извадете акумулаторната батерия преди извършване на поддръжка или почистване.

Свързвайте към електрическата мрежа само когато продуктът е изключен.

Дръжте захранващия кабел извън работния обхват на продукта. Дръжте го настрани от зоната, където стои операторът.

Никога не посягайте в зоната близо до циркулярния диск, докато той не е напълно спрял.

Преди използване старателно проверете продукта, кабела и щепсела за всякакви повреди или умора на материала. Ремонтите по целия продукт, включително захранващ кабел, трябва да се извършват само от упълномощен сервизен център.

Винаги използвайте предпазните устройства на продукта. Не използвайте продукта, ако предпазните устройства не са на място и не работят правилно.

Долният предпазител на острието трябва да се отваря само когато острието е смъкнато до работния детайл и винаги трябва да може да се движи свободно и да се затвара автоматично.

Винаги фиксирайте и използвайте удължителни пръти за поддръжка на работния детайл по време на работа.

Никога не модифицирайте продукта или неговото действие. Безопасността Ви може да бъде компрометирана.

Не използвайте циркулярни дискове, които са напукани, повредени или деформирани.

Не използвайте циркулярни дискове, изработени от бързорежеща стомана.

Използвайте само циркулярни дискове, които са остри. Заменяйте затъпените циркулярни дискове.

Винаги използвайте циркулярни дискове с правилен размер и форма на отворите за вала. Остриета, които не съответстват на монтажната рамка на триона, ще работят ексцентрично, причинявайки загуба на контрол.

Използвайте само дървообработващи циркулярни дискове, описани в това ръководство, които съответстват на EN 847-1.

Не използвайте никакви фланци, шайби и гайки за закрепване на циркулярния диск, освен доставените или посочените в ръководството с инструкциите.

Необходимо е да изберете циркулярен диск, който е подходящ за материала, който ще се реже. Никога не използвайте продукта за рязане на материали, различни от посочените в раздела за използване по предназначение в това ръководство. Важно е да се избягва прегревяване на острието и разтапяне на пластмасата по време на рязане.

От съществено значение е да се придържате към максималната скорост, посочена на режещия диск. Използвайте само режещи дискове, маркирани със скорост, равна или по-висока от скоростта, маркирана върху инструмента.

Заменете вложката на масата, когато е износена или повредена.

Преди работа направете пробен разрез, без да включвате мотора, за да проверите позицията на острието, работата на предпазителите по отношение на други части на машината и работния детайл.

Когато се извършват скосявания, рязане под ъгъл или смесени рязания под ъгъл, регулирайте плъзгащия водач или под-водач, за да гарантирате правилния просвет от циркулярния диск.

Избягвайте неконтролирано освобождаване на триона от положение напълно надолу.

Фиксаторът на ръкохватката винаги трябва да бъде заключен при транспортиране на продукта.

Машината трябва да се съхранява при нула градуса ъгъл на скосяване и ъгъл на наклона в заключено положение. Ръчката трябва бъде заключена в долно (безопасно) положение със затворени предпазни устройства.







При транспортиране в превозно средство, установаите машината върху основата ѝ и я закрепете срещу преместване. Повдигайте продукта само с помощта на предвидените за тази цел ръкохватки. Винаги използвайте две ръце, за да повдигнете продукта.

Дръжте областта на пода свободна от насипни материали, като напр. трески и отрязани парчета.

Избягвайте да премахвате каквито и да е отрязани парчета или други части на обработвания детайл от зоната на рязане, докато продуктът работи и циркулярната глава не е в положение на покой.

Дълги обработвани детайли трябва да бъдат подкрепяни адекватно. Работната площ на циркуляра включва целия размер на обработвания детайл. Операторът трябва да обезопаси тази област от случаен контакт с други лица или обекти, които могат да преместят обработвания детайл по време на работа.

Прахът, произведен при използването на този продукт, може да бъде вреден за здравето. Използвайте система за изсмукване на прах и носете подходяща противопрахова маска. Премахвайте напълно отложения прах с прахосмукачка. Може да се наложи да регулирате плъзгащата се преграда, за да осигурите подходящото отстояние, преди да извършите скосен или комбиниран срез. Уверете се, че фиксиращият винт за плъзгащата се преграда е затегнат здраво след регулирането.

Стягата може да се монтира и да се използва от двете страни на диска. При някои операции стягата може да се допира до предпазния модул на диска. Винаги проверявайте дали предпазителя на диска няма да се допре, преди да започнете операция по рязане, за да намалите риска от сериозно физическо нараняване.

**⚠ ПРЕДУПРЕЖДЕНИЕ!** Когато правите срез под ъгъл 70°, се допуска само ъгъл на наклона 0°.

Въртящите се удължаващи се маси могат да се настроят в една от трите позиции в зависимост от желания тип рязане.

Не поставяйте удължаващите се маси в отключено положение. Поставяйте ги само в едно от трите заключени положения.

Използвайте въртящите се удължаващите се маси, когато правите срезове под ъгъл, по-голям от 45°.

Не заменяйте светодиода с различен тип. Всякакви ремонти трябва да се извършват само от производителя или упълномощен сервизен агент.

Когато използвате продукта на открито, производителят препоръчва използването на устройство за ДТЗ с изключване, настроено на 30 mA.

При използването на този продукт, колебанията на напрежението могат да засегнат други електрически уреди на същата силова верига. Свържете машината към източник на захранване с импеданс, равен на 0,299 Ω, за да минимизирате колебанията на напрежението. Свържете се с вашия доставчик на електроенергия за допълнителни разяснения.

## ЗАПОЗНАЙТЕ СЕ С ПРОДУКТА СИ

Вж. страница 2-3.

1. Ръкохватка, изолирана по повърхност за захващане
2. Превключвател на захранването
3. Лост за заключване на превключвателя
4. Превключвател със светодиоден индикатор
5. Горен предпазител
6. Въглена четка
7. Бутон за заключване на шпиндела
8. Блокиращ шифт на главата
9. Долен предпазител
10. Плъзгаща направляваща
11. Фиксирана преграда
12. Въртяща се удължаваща се маса
13. Бутон за заключване на масата
14. Бутон за пренебрегване на ограничителя за скосяване под ъгъл
15. Застопоряващ лост за ъгъла на скосяване
16. Монтажен отвор
17. Винт за настройка на дълбочината на рязане
18. Фиксираща гайка за дълбочината на рязане

19. Ограничаваща плоча за дълбочината на рязане
20. Ръкохватка за пренасяне
21. Ключ шестограм
22. Фиксиращо копче за ъгъла на наклона
23. Мащаб на скосяване
24. Въртяща се маса
25. Винтове за блокиране на скалата на скосяване
26. Торба за прах
27. Ограничителен лост за плъзгащата лента
28. Регулатор за заключване на плъзгащата лента
29. Лост на ограничителя на наклона
30. Скоба
31. Скала на скосяването
32. Бутон за светодиодна светлина
33. Външен фланец
34. Острие за трион
35. Плоча с разрез

## СПИСЪК С РЕЗЕРВНИ ЧАСТИ

- PS254DBE: Циркуляр за рязане под ъгъл EN 847-1/ ø254 x ø30 x 2,6 / 48T / HW / п макс. 7400 мин.-1 (Страница 3. № 34)
- Плоча с разрез (Страница 3. № 35)
- Въглеродна четка (Страница 2. № 6)

## ПОДДРЪЖКА

По никакъв начин не модифицирайте машината и не използвайте принадлежности, които не са одобрени от производителя. Безопасността Ви и тази на другите може да бъде компрометирана.

Не използвайте машината, ако някои превключватели, предпазни устройства или други функции не работят по предназначение. Занесете на упълномощен сервизен център за професионален ремонт или настройка.

Не правете никакви настройки, докато циркулярният диск е в движение.

Винаги проверявайте дали продуктът е изключен от електрозахранването преди извършване на настройки, смазване или преди извършване на каквато и да е поддръжка на машината.

Преди и след всяко използване, проверявайте машината за повреда или счупени части. Съхранявайте машината в перфектно работно състояние като незабавно заменете части с резервни части, препоръчани от производителя.

Ножът има остри ръбове и може също да остане горещ след операциите за рязане. Проявявайте изключително внимание, когато почиствате незачистен нож. Носете ръкавици, за да се предпазите от нараняване.

Почиствайте редовно циркуляра и неговите принадлежности от прах, особена движещите се части, включително предпазителя на диска. Използвайте ръчна четка или прахосмукачка, за да отстраните праха ефективно. Не използвайте сгъстен въздух.

Избягвайте употребата на разтвори, когато почиствате пластмасови части. Повечето пластмасови елементи са податливи на различни видове достъпни в търговската мрежа разтвори и могат да бъдат повредени при използването на такива разтвори. Използвайте меки кърпи за отстраняване на замърсявания, въглероден прах и др.

Използвайте само аксесоари и резервни части на AEG. Ако компоненти, които не са описани, трябва да се подменят, се свържете с някой от нашите сервизни представители на AEG (вижте нашия списък с адреси за гаранции/обслужване).

Ако е необходимо, можете да поръчате изображение на продукта в разглобен вид. Посочете типа и серийния номер на продукта, отпечатани на етикета, и поръчайте чертежа при местните сервизни представители или директно на: Techtronic Industries GmbH, Max-Eyth-Straße 10, 71364 Winnenden, Germany.

## СИМВОЛИ



Прочетете внимателно инструкциите, преди да стартирате продукта.



EN

DE

FR

IT

ES

PT

NL

DA

NO

SV

FI

EL

TR

CS

SK

PL

HU

SL

HR

LV

LT

ET

RU

BG

RO

MK

UK

AR

ⓘ



	ВНИМАНИЕ! ПРЕДУПРЕЖДЕНИЕ! ОПАСНОСТ!
	Изключвайте щепсела от контакта преди извършване на каквато и да е работа по машината.
	Инструмент от клас II, двойна изолация
	Носете предпазни средства за очите.
	Носете антифони.
	Не излагайте продукта на дъжд и не го използвайте на влажни места.
	Носете предпазни ръкавици.
	Дръжте ръцете си далече от зоната на рязане и наостреното острие.
	ВНИМАНИЕ! Не се взирайте в работещата лампа.
	Посока на въртене на острието
	Ъби на острието
	Ширина на рязане
	Размер на отвора на шпиндела и острието
	Само за рязане на дърво
	Регулирайте позицията на плъзгащата се преграда, преди да извършвате скосени или комбинирани срезове.
	Не изхвърляйте отпадъците от електрическо и електронно оборудване като несортирани битови отпадъци. Отпадъците от електрически и електронно оборудване трябва да се събират отделно. Отпадъците от светлинни източници трябва да бъдат премахнати от оборудването. За съвети относно рециклирането и пункта за събиране се обърнете към вашите местни власти или търговски представители.

	Съгласно местните разпоредби търговците на дребно може да бъдат задължени да приемат отпадъци от електрическо и електронно оборудване. Вашият принос за повторната употреба и рециклирането на отпадъци от електрическо и електронно оборудване помага за намаляване на търсенето на суровини. Отпадъците от електрическо и електронно оборудване съдържат ценни, подходящи за рециклиране материали, които може да имат неблагоприятно въздействие върху околната среда и човешкото здраве, ако не бъдат изхвърлени по екологичен начин. Ако на отпадъчното оборудване има лични данни, изтрийте ги.
	Напрежение
	Променлив ток
	Знак за съответствие с европейските изисквания
	Знак за съответствие с изискванията на Украйна
	EurAsian знак за съответствие

## RO TRADUCEREA INSTRUCȚIUNILOR ORIGINALE

### CONDIȚII DE UTILIZARE SPECIFICATE

Fierăstrăul cu mitră este conceput pentru a tăia lemn solid sau stratificat, diverse alte materiale similare lemnului, cu sau fără furnir, precum și materiale plastice.

Fierăstrăul cu mitră trebuie utilizat doar de operatori adulti, care au citit manualul de instrucțiuni și înțeleg riscurile și pericolите de accidentare.

Baza fierăstrăului cu mitră trebuie fixată pe un banc de lucru solid. Dacă baza nu este fixată în siguranță, întreaga unealtă se poate deplasa în timpul operațiilor de tăiere, ceea ce va crește riscul unor accidentări personale grave.

Ferăstrăul cu mitră este conceput pentru a efectua tăieri în unghi și cu ajutorul mitrei. Dimensiunile posibile pentru diferitele tipuri de tăieturi sunt furnizate în specificațiile produsului din acest manual.

Fierăstrăul cu mitră trebuie folosit în medii uscate, cu lumină și ventilație adecvată.

Ferăstrăul cu mitră este destinat uzului casnic și trebuie să se utilizeze numai așa cum se descrie mai sus și în acest manual, întrucât n-a fost proiectat pentru niciun alt scop.

Nu folosiți produsul în niciun alt fel decât cel menționat pentru folosirea lui destinată.

**⚠ AVERTISMENTI** Citiți toate instrucțiunile privind avertizările de siguranță, ilustrațiile și specificațiile furnizate împreună cu acest produs. Nerespectarea instrucțiunilor prezentate în continuare poate provoca accidente cum ar fi incendii, electrocutare și/sau vătămări corporale grave.

**Păstrați toate instrucțiunile și atenționările de siguranță pentru consultare ulterioară.**

### INSTRUCȚIUNI DE SIGURANȚĂ PENTRU FIERĂSTRAIELE CU MITRĂ

Fierăstraiele cu mitră sunt destinate tăierii lemnului sau materialelor similare. Nu pot fi utilizate cu discuri tăietoare



abrazive pentru tăierea materialelor feroase de tipul barelor, tijelor, bolțurilor, etc. Praful abraziv poate face ca piesele în mișcare, cum ar fi aparatoarea inferioară, să se blocheze. Scănteile produse de tăierea abrazivă vor arde aparatoarea inferioară, insertul pentru disc și alte piese din plastic.

**Utilizați menghine pentru a ține piesa de lucru când este posibil. Dacă susțineți piesa în lucru cu mâna, întotdeauna apucați piesa de la o distanță de cel puțin 100 mm distanță față de discul tăietor. Nu utilizați acest fierăstrău la tăierea pieselor care sunt prea mici pentru a fi prinse în menghină sau ținute cu mâna în condiții de siguranță. Dacă țineți mâna prea aproape de discul tăietor, există riscuri crescute de rănire în urma contactului cu acesta.**

**Piesa prelucrată trebuie să fie nemișcată și prinsă în menghină sau ținută apăsat atât pe ghidajul de tăiere cât și pe blat. Nu împingeți cu mâna piesa spre lamă și nu tăiați sub nicio formă „la mână”.** Piesele în lucru nefixate pot fi proiectate la viteze ridicate, provocând răniri.

**Apăsați fierăstrăul pe piesa prelucrată. Nu trageți fierăstrăul prin piesa prelucrată. Pentru a efectua o tăietură, ridicați capul fierăstrăului și poziționați-l deasupra piesei în lucru fără a-l așeza pe aceasta, porniți motorul și apăsați fierăstrăul pe piesa în lucru. Tăierea în timpul mișcării spre înapoi a discului poate conduce la urcarea acestuia pe partea de sus a piesei și la aruncarea violentă a ansamblului de tăiere către operator.**

**Nu treceți niciodată mâna peste linia de tăiere, nici prin fața și nici prin spatele discului tăietor. Sprijinirea piesei în lucru „cu mâinile în cruce”, adică ținerea piesei cu mâna stângă în partea din dreapta a discului tăietor și viceversa este extrem de periculoasă.**

**Nu întindeți mâna peste ghidajul de tăiere la mai puțin de 100 mm de laturile discului tăietor pentru a îndepărta resturile de lemn sau din orice alt motiv în timp ce discul se rotește. Apropierea discului față de mâna dvs. ar putea să nu fie extrem de evidentă și riscați să vă răniți grav.**

**Inspectați piesa de prelucrat înainte de tăiere. Dacă aceasta este curbată sau răscuțită, fixați-o cu partea curbată îndreptată spre ghidajul de tăiere. Întotdeauna verificați să nu existe spațiu între piesa prelucrată, ghidajul de tăiere și masă pe linia de tăiere. Bucățile de material îndoită sau curbate se pot răscui sau deplasa, provocând blocarea discului tăietor în timpul tăierii. Verificați să nu existe cuie sau alte obiecte străine în piesa prelucrată.**

**Nu utilizați fierăstrăul înainte de a elibera masa de alte unelte, resturi de lemn, etc., cu excepția piesei în lucru. Resturile mici, bucățile nefixate de lemn sau alte obiecte pot intra în contact cu discul în rotație și pot fi proiectate cu viteză mare.**

**Nu tăiați decât printr-o singură bucată de material la o tăiere. Bucățile de material grupate nu pot fi fixate sau sprijinite adecvat și pot bloca discul de tăiere sau se pot răscui în timpul tăierii.**

**Înainte de utilizare verificați ca fierăstrăul să fie montat sau așezat pe o suprafață plană și stabilă. O suprafață de lucru plană și stabilă reduce riscul ca fierăstrăul cu mitră să devină instabil.**

**Planificați-vă lucrul. De fiecare dată când schimbați unghiul de tăiere sau reglajul unghiului mitrei, asigurați-vă că ghidajul de tăiere reglabil este poziționat corect pentru a sprijini piesa prelucrată și că nu va atinge discul tăietor sau sistemul de apărători. Fără a porni motorul uneltei și fără a avea o piesă pe masa de lucru, efectuați o mișcare completă de simulare a tăierii cu fierăstrăul pentru a vă asigura că nu există obstacole sau pericol de tăiere a ghidajului.**

**Pentru piesele cu dimensiuni mai mari decât cele ale blatului mesei de lucru, folosiți suporturi adecvați, cum ar fi extensii pentru blat, capre, etc. Piesele de prelucrat mai lungi sau mai late decât blatul fierăstrăului cu mitră se pot înclina dacă nu sunt sprijinite adecvat. Dacă bucata tăiată sau piesa în lucru se înclină, poate ridica aparatoarea inferioară sau poate fi aruncată spre discul în rotație.**

**Nu utilizați o altă persoană ca substitut pentru extensia blatului sau ca sprijin suplimentar. Sprijinirea necorespunzătoare a piesei în lucru poate conduce la încovoierea discului tăietor sau la deplasarea acesteia în timpul tăierii, trăgându-vă pe dvs. și pe persoana care vă ajută spre discul în rotație.**

**Bucata de material tăiată nu trebuie blocată sau presată prin alte mijloace spre discul tăietor al fierăstrăului. Dacă este blocată, de exemplu dacă se utilizează opritore pe lungime,**

bucata de material tăiată se poate propti în discul tăietor și, ca urmare, poate fi aruncată cu violență.

**Utilizați întotdeauna o menghină sau alte mijloace de fixare pentru a susține corespunzător materialele rotunde de tipul tijelor sau țevilor. Obiectele cilindrice au tendința de a se roti în timpul tăierii, făcând ca discul tăietor să „muște” din material și ca urmare să tragă piesa împreună cu mâna dvs. spre disc.**

**Permiteți discului tăietor să atingă viteza de rotație maximă înainte de a-l introduce în material. Acest fapt va reduce riscul ca piesa în lucru să fie aruncată.**

**Dacă piesa în lucru sau pânza se blochează, opriți imediat produsul. Așteptați ca toate piesele în mișcare să se oprească și deconectați cordonul de alimentare și/sau acumulatorul. Apoi interveniți pentru a îndepărta materialul blocat.**

Continuarea tăierii într-o bucată de material blocată în disc poate conduce la pierderea controlului asupra fierăstrăului cu mitră sau la deteriorarea acestuia.

**După ce ați terminat tăietura, eliberați comutatorul de pornire, țineți fierăstrăul în poziția coborât și așteptați ca discul tăietor să se oprească din rotație înainte de a scoate piesa tăiată. Este periculos să întindeți mâna pe lângă un disc aflat încă în rotație.**

**Țineți mânerul ferm cu mâna când efectuați o tăiere incompletă sau când eliberați comutatorul de pornire înainte ca fierăstrăul să ajungă complet în poziția coborât. Acțiunea de frânare a ferăstrăului poate face ca acesta să fie tras brusc în jos, ceea ce poate conduce la risc de rănire.**

## INSTRUCȚIUNI DE PROTECȚIE PENTRU DISCUL TĂIETOR DE LEMN

Vă rugăm să citiți cu atenție manualul și instrucțiunile înainte de a utiliza discul tăietor și unealta.

Unealta trebuie să fie într-o stare tehnică bună, axul să nu fie deformat și să nu prezinte vibrații.

Nu utilizați produsul fără ca apărătorile să fie pe poziție. Țineți apărătorile în stare bună de funcționare și corect întreținute.

Asigurați-vă că operatorul este instruit cu privire la măsurile de siguranță, reglajele și operarea produsului.

Când utilizați produsul, purtați întotdeauna ochelari și antifoane. Se recomandă purtarea de mănuși, încălțăminte antiderapantă solidă și șort.

Înainte de utilizarea oricăror accesorii, consultați manualul de instrucțiuni. Utilizarea neadecvată a unui accesoriu poate duce la avariere și mărește riscul de rănire.

Utilizați numai discurile specificate în manual, conforme cu standardul EN 847-1.

Respectați viteza maximă înscrisă pe discul tăietor. Asigurați-vă că viteza marcată pe lamă este cel puțin egală cu viteza marcată pe ferăstrău.

Întotdeauna utilizați lame cu dimensiuni și forme adecvate fantelor de pe arbore. Lamele care nu se potrivesc cu suportul de montare al ferăstrăului se vor funcționa descentrat, cauzând pierderea controlului.

Nu utilizați lame cu diametru mai mare sau mai mic decât cel recomandat. Nu utilizați elemente de spațiere pentru a face ca lama să se potrivească pe ax.

Verificați dinții lamei ferăstrăului să nu fie deteriorate sau cu aspect anormal, înainte de fiecare utilizare. Dinții care sunt deteriorați sau slăbiți pot deveni obiecte zburătoare în timpul utilizării și măresc riscul de vătămare personală.

Nu utilizați lame deformatate sau cu fisuri. Nu utilizați lame de ferăstrău deteriorate sau deformatate.

Aruncați lama de ferăstrău dacă aceasta este deformată, îndoită sau fisurată, nu este permisă repararea acesteia.

Nu utilizați lame HSS.

Asigurați-vă că discul tăietor este montat corect și strângeți piulița de fixare pe ax la cuplul recomandat înainte de utilizare (cuplu de strângere de aprox. 12 Nm).

Șuruburile și piulițele de fixare trebuie strânse utilizând o șurubelniță adecvată, etc.

Nu este permisă utilizarea de extensii ale cheii de piuliță nici strângerea cu lovituri de ciocan.



EN

DE

FR

IT

ES

PT

NL

DA

NO

SV

FI

EL

TR

CS

SK

PL

HU

SL

HR

LV

LT

ET

RU

BG

RO

MK

UK

AR

i





Asigurați-vă că lama și flanșele sunt curate și părțile afundate ale gulerului sunt pe lamă.

Asigurați-vă că lama se rotește în direcția corectă.

Înainte de lucru, faceți o verificare executând o tăiere în orb, fără a porni motorul astfel încât să verificați poziția lamei, funcționarea apărătoarelor față de alte piese ale mașinii și piesa de lucru.

Nu lăsați niciodată produsul nesupravegheat.

Nu aplicați lubrifiant pe lamă când aceasta este în funcționare.

Nu executați niciodată lucrări de întreținere sau curățare când mașina este încă în funcționare și capul nu este în staționare.

Nu încercați niciodată să opriți rapid o mașină în mișcare blocând-o cu ajutorul vreunei unelte sau cu alte obiecte puse pe lamă, se pot cauza accidente grave în acest fel.

Deconectați produsul de la sursa de alimentare sau îndepărtați acumulatorul înainte de a schimba pânzele sau de a efectua lucrări de întreținere.

Acordați atenție împachetării și despachetării lamei, se pot produce răniri de la dinții lamei.

Folosiți un dispozitiv de manipulare sau mănuși de protecție când interveniți asupra discului de tăiere.

Păstrați și depozitați lama în ambalajul original sau în alt ambalaj adecvat, păstrați-l în mediu uscat și departe de substanțele chimice care ar putea deteriora lama.

## INSTRUCIUNI DE LUCRU ȘI DE SIGURANȚĂ SUPLIMENTARE

Fixați întotdeauna piesa de lucru în mod sigur.

Asigurați-vă că produsul este întotdeauna în condiții de stabilitate și siguranță (de ex. fixat pe un stand de lucru).

Purtați întotdeauna antifoane. Expunerea la zgomot poate produce pierderea auzului.

Când utilizați produsul, purtați întotdeauna ochelari de protecție. Se recomandă purtarea mănușilor de protecție pentru manipularea lamelor și a materialelor aspre, și a încălțămintei solide antiderapante pentru a vă proteja picioarele în caz că piesa de lucru cade de pe suprafața de tăiere.

Deconectați produsul de la sursa de alimentare sau scoateți acumulatorul înainte de a efectua lucrări de întreținere sau de curățare a produsului.

Conectați la priză de perete numai când produsul este pe poziția „off”.

Țineți cordonul de alimentare cu energie în afara zonei de lucru a produsului. Țineți-l în afara zonei în care stă operatorul.

Nu intrați în apropierea lamei, decât dacă lama s-a oprit complet.

Înainte de utilizare, verificați cu atenție ca produsul, cablul sau ștecherul să nu prezinte defecte sau semne de oboseală a materialului. Reparațiile produsului, inclusiv la cablul de alimentare cu energie, trebuie efectuate numai de către un centru de service autorizat.

Utilizați în permanență apărătorile produsului. Nu utilizați produsul fără apărători sau cu apărători care nu funcționează corect.

Protecția inferioară a lamei trebuie deschisă numai când lama este coborâtă la piesa de prelucrat și trebuie să poată fi în permanență să se miște liber și să se închidă automat.

Întotdeauna utilizați și fixați barele de extensie pentru a sprijini piesa prelucrată în timpul operării produsului.

Nu încercați niciodată să modificați produsul sau modul de funcționare. Siguranța dvs. poate fi compromisă.

Nu utilizați lame de ferăstrău fisurate, deteriorate sau deformate.

Nu utilizați lame confecționate din oțel rapid.

Utilizați doar lame bine ascuțite. Înlocuiți lamele tocite.

Întotdeauna utilizați lame cu dimensiuni și forme adecvate fanțelor de pe arbore. Lamele care nu se potrivesc cu suportul de montare al ferăstrăului se vor funcționa descentrat, cauzând pierderea controlului.

Utilizați numai discurile tăietoare pentru tăierea lemnului specificate în manual, conforme cu standardul EN 847-1.

Nu folosiți alte flanșe, șaibe și piulițe pentru strângerea sigură a lamei, decât cele furnizate sau specificate în manualul de instrucțiuni.

Este necesar să alegeți o lamă potrivită cu materialul de tăiat. Nu utilizați niciodată produsul la tăierea altor tipuri de materiale decât cele specificate în secțiunea referitoare la destinația de utilizare din acest manual.

Este important să evitați supraîncălzirea discului și topirea plasticului în timpul tăierii.

Este esențial să respectați viteza maximă specificată pentru discul tăietor; utilizați numai discuri tăietoare marcate cu o viteză mai mare sau egală cu cea marcată pe unealtă.

Înlocuiți insertul de masă când observați semne de uzură sau deteriorare.

Înainte de lucru, faceți o verificare executând o tăiere în orb, fără a porni motorul astfel încât să verificați poziția lamei, funcționarea apărătoarelor față de alte piese ale mașinii și piesa de lucru.

Atunci când efectuați tăieri cu mitra, tăieri la unghi sau tăieri combinate, reglați ghidajul de tăiere glisant sau apărătoarea inferioară pentru a asigura o distanță corectă față de discul tăietor.

Evitați eliberarea accidentală a unității ferăstrăului din poziția coborâtă complet.

Mănerul trebuie să fie întotdeauna în poziția de lucru la transportarea produsului.

Produsul trebuie depozitat cu mitra și unghiul de înclinație la zero grade și în poziție blocată. Mănerul trebuie blocat în poziție joasă (sigură) cu apărătorile închise.

În timpul transportului cu un vehicul, așezați produsul pe baza sa și asigurați-l să nu se deplaseze.

Ridicați produsul ținându-l numai de mânerul prevăzute în acest scop. Ridicați produsul întotdeauna cu ambele mâini.

Țineți suprafața podelei curată, fără resturi de materiale precum așchii și țândări.

Nu îndepărtați resturile de materiale sau alte bucăți din piesa de lucru din zona de tăiere în timp ce mașina este în funcționare iar capul ferăstrăului nu este în poziția de repaus.

Piesele de lucru de lungime mare trebuie așezate pe suport. Zona de lucru a lamei cuprinde întreaga lungime a piesei de lucru. Operatorul trebuie să securizeze această suprafață să nu vină în contact cu alte persoane sau obiecte care ar putea face ca piesa de lucru să se deplaseze în timpul lucrului.

Praful produs în timpul utilizării produsului poate reprezenta un pericol pentru sănătate. Utilizați un sistem de aspirare a rumegușului și purtați mască adecvată de protecție contra prafului. Îndepărtați rumegușul depus cu ajutorul unui aspirator.

E posibil să fie necesar să se ajusteze apărătoarea glisantă pentru a se asigura un spațiu adecvat pentru tăierea în unghi sau retezarea unei componente. Asigurați-vă că șurubul de fixare a apărătorii este bine strâns după ajustare.

Clama poate fi instalată și utilizată pe oricare parte a lamei. În cadrul anumitor operațiuni, clama poate interfera cu ansamblul de protecție al lamei. Întotdeauna asigurați-vă că nu este posibilă o interferență a acoperitoarei lamei înainte de a începe operațiunea de tăiere, pentru a reduce riscul de rănire gravă.

**⚠️ AVERTISMENT!** Când executați o operațiune de tăiere cu mitra la 70°, se admite numai un unghi de înclinație de 0°.

Mesele de întindere rotative pot fi puse într-una dintre cele trei poziții, în funcție de tipul de tăiere dorit.

Nu puneți mesele de extensie în poziții nefixate. Puneți-le numai într-una dintre cele trei poziții de fixare.

Utilizați mesele de extensie rotative când faceți tăieri cu mitra în unghi mai mare de 45°.

Nu înlocuiți LED-ul cu unul de alt tip. Orice reparații trebuie efectuate de producător sau de un agent de service autorizat.

Când utilizați produsul în aer liber, producătorul recomandă să utilizați un dispozitiv de control al rotației cu declanșarea setată la 30 mA.

Când utilizați produsul, fluctuațiile de tensiune pot afecta alte produse electrice sau corpuri de iluminare aflate pe același circuit electric. Conectați unealta la o sursă de energie cu o impedanță egală cu 0,299 Ω pentru a minimaliza fluctuațiile de tensiune. Conectați furnizorul dvs. de energie electrică pentru alte clarificări.



## AFLAȚI CUM FUNCȚIONEAZĂ PRODUSUL DVS.

Vedeți paginile 2-3.

1. Mâner, suprafață de contact izolată
2. Comutator de pornire
3. Manetă de blocare
4. Comutator LED
5. Protecție superioară
6. Perie carbon
7. Butonul de blocare a axului
8. Pinion de blocare cap
9. Protecție inferioară
10. Apărătoare glisantă
11. Apărătoare fixă
12. Masă de extensie rotativă
13. Butonul de blocare masă
14. Buton bypass detentă mitră
15. Levier de blocare pentru mitră
16. Gaură pentru montare
17. Șurub de ajustare a adâncimii de tăiere.
18. Piuliță de fixare adâncime de tăiere
19. Plăcuță de oprire la adâncimea de tăiere
20. Mâner
21. Cheie hexagonală
22. Mâner rotativ de fixare unghi de înclinație
23. Indicator gradat de înclinație
24. Masă rotativă
25. Șuruburi pentru fixarea indicatorului gradat al mitrei
26. Sac de colectare praf
27. Manetă de limitare a barei glisante
28. Șurub rotund pentru blocarea barei glisante
29. Manetă de ajustare înclinare
30. Clemă
31. Indicator gradat mitră
32. LED
33. Flanșă exterioră
34. Lama de ferăstrău
35. Plăcuță cu făgaș

## LISTA PIESELOR DE REZERVĂ

- PS254DBE: Ferăstrău cu mitră EN 847-1/  $\varnothing 254 \times \varnothing 30 \times 2,6$  / 48T / HW / n max. 7400 min-1 (Pag 3. nr. 34)
- Plăcuță cu făgaș (Pag 3. Nr. 35)
- Perie carbon (Pag 2. Nr. 6)

## ÎNȚREȚINEREA

Nu modificați produsul în niciun fel și nu utilizați accesoriile care nu sunt aprobate de producător. Siguranța dvs. și a altora poate fi compromisă.

Nu utilizați produsul dacă vreun comutator, protecție sau alte funcții de bază nu lucrează așa cum este prevăzut. Returnați-le unui centru de service pentru reparare sau înlocuire executate profesional.

Nu faceți nicio ajustare în timp ce lama este în mișcare.

Întotdeauna să vă asigurați că produsul a fost deconectat de la rețeaua de alimentare cu energie înainte de a efectua reglaje, operații de lubrifiere sau de întreținere a produsului.

Înainte de fiecare utilizare verificați starea produsului să nu prezinte piese rupte sau deteriorate. Țineți produsul în stare foarte bună de funcționare înlocuind imediat piesele cu piese de rezervă aprobate de producător.

Lama tăietoare are margini ascuțite și poate avea temperaturi ridicate după efectuarea operațiilor de tăiere. Procedați cu maximă precauție la curățarea lamei tăietoare. Purtați mănuși pentru a vă proteja împotriva rănirii.

Curățați de praf în mod regulat ferăstrăul și accesoriile sale, mai ales piesele în mișcare, inclusiv apărătoarele discului tăietor. Utilizați o perie sau un aspirator pentru a îndepărta eficient praful. Nu utilizați aer comprimat.

A nu se utiliza solvenți pentru curățarea pieselor din plastic. Majoritatea plasticelor reacționează la diverse tipuri de solvenți comerciali și pot fi deteriorate de aceștia. Utilizați cârpe curate pentru a curăța mizeria, praful, etc.

Utilizați doar accesoriile și piesele de schimb AEG Dacă este necesară înlocuirea unor componente despre care nu se discută aici, contactați un agent de service AEG (consultați lista de service-uri pentru operații în și în afara garanției).

Dacă este necesar, poate fi comandată o imagine/ schemă cu produsul descompus în piese. Specificați tipul de produs și numărul de serie de pe etichetă și comandați schema la centrul de service sau direct la: Techtronic Industries GmbH, Max-Eyth-Straße 10, 71364 Winnenden, Germany.

## SIMBOLURI

	Citiți cu atenție instrucțiunile înainte de a utiliza produsul.
	ATENȚIE! AVERTISMENT! PERICOL!
	Deconectați ștecherul de la priza de curent înainte de a efectua orice operație asupra produsului.
	Unealtă de clasă II, dublu izolată
	Purtați echipament de protecție.
	Purtați antifoane!
	A nu se expune la ploaie sau la condiții de umezeală.
	Purtați mănuși de protecție.
	Nu apropiați mâinile de zona de tăiere și de discul tăietor.
	ATENȚIE! Nu priviți direct către lampa de funcționare.
	direcție de rotire a lamei
	Dinte lamă
	Lățimea de tăiere
	Dimensiunea lamei și a fantei arborelui
	Numai pentru tăieri în lemn
	Ajustați poziția acoperitorii glisante înainte de a executa tăierea în unghi sau de rețezare a unor componente.

- 
- EN
- DE
- FR
- IT
- ES
- PT
- NL
- DA
- NO
- SV
- FI
- EL
- TR
- CS
- SK
- PL
- HU
- SL
- HR
- LV
- LT
- ET
- RU
- BG
- RO
- MK
- UK
- AR
-





A nu se arunca deșeurile de echipamente electronice și electrice la gunoii menajer. Deșeurile formate din echipamente electrice și electronice trebuie colectate separat.

Sursele de iluminare trebuie scoase din aceste echipamente.

Solicitați consiliere de la autoritatea dvs. locală sau de la comerciantul de unde ați achiziționat aspiratorul, în privința punctului de colectare.

Conform reglementărilor naționale, vânzătorii cu amănuntul au obligația de a colecta deșeurile de echipament electric și electronic, gratuit.

Contribuția dvs. la reciclarea și reutilizarea echipamentelor electrice și electronice ajută la reducerea cererii de materii prime.

Deșeurile formate din echipamente electrice și electronice conțin materiale reciclabile valoroase, care pot avea o influență negativă asupra mediului înconjurător și asupra sănătății umane, dacă nu sunt eliminate într-o manieră ecologică.

Ștergeți datele personale din echipamentul deșeu, dacă este cazul.

V

Tensiune



Curent alternativ



Marcajul european de conformitate



Marcajul ucrainian de conformitate



Marcaj de conformitate EurAsian

## МК ПРЕВОДИ НА ОРИГИНАЛНИТЕ УПАТСТВА

### КОНКТРЕТНИ УСЛОВИ ЗА УПОТРЕБА

Циркуларната пила за сечење под агол е наменета за сечење на масивно дрво и лепено дрво, материјали слични на дрво, со или без лепен фурнир и пластика.

Циркуларната пила за сечење под агол е наменета да ја користат само возрасни оператори кои го прочитале упатството за употреба и ги разбираат ризиците и опасностите.

Циркуларната пила за сечење под агол е проектирана да биде фиксирана на основата на работна маса. Ако основата не е цврсто фиксирана, целата машина може да се помести за време на операциите на сечење, со што се зголемува можноста за сериозни лични повреди.

Циркуларната пила за сечење под агол е дизајнирана за правене резови под агол и коси резови. Капацитетите за различните резови се наведени во спецификациите на производот во овој прирачник.

Циркуларната пила за сечење под агол се користи во суви услови, со одлично амбиентално осветлување и соодветна вентилација.

Циркуларната пила за сечење под агол е наменета за употреба од страна на потрошувачите и треба да се користи само како што е опишано погоре и не е наменета за која било друга употреба.

Не го користете производот за друга намена.

**⚠ ПРЕДУПРЕДУВАЊЕ!** Прочитајте ги сите предупредувања за безбедност, упатства, илустрации и спецификации дадени со овој електричен алат. Непочитувањето на сите упатствата наведени подолу, може да доведе до струен удар, пожар и/или сериозна повреда. **Зачувајте ги сите предупредувања и упатства за понатамошна употреба.**

### ИНСТРУКЦИИ ЗА БЕЗБЕДНОСТ ЗА ЦИРКУЛАРНА ПИЛА ЗА СЕЧЕЊЕ ПОД АГОЛ

Циркуларните пили за сечење под агол се наменети за сечење дрво или производи слични на дрво, тие не може да се користат со абразивни дискови за сечење на железен материјал како што се шипки, прачки, столбчиња итн. Абразивната прашина предизвикува заглавување на подвижните делови како што е долниот штитник. Искрите од абразивното сечење ќе го изгорат долниот штитник, влошката за нарежување и другите пластични делови.

Секогаш кога е можно, користете стегу за да го потпрете работното парче. Ако го потпрете работното парче со рака, секогаш мора да ја држете раката најмалку 100 mm од двете страни на сечилото на пилата. Не користете ја оваа пила за сечење парчиња кои се премногу мали и не може безбедно да се стегнат или да се држат со рака. Ако вашата рака е поставена премногу близу до сечилото на пилата, постои зголемен ризик од повреда од контакт со сечилото.

Работното парче мора да се стационарира и да се стегне или да се држи и на оградата и на плочата. Не ставајте го работното парче во сечилото или не сечете на „слободна рака“ на кој било начин. Неограничените или подвижните работни парчиња може да се исфрлат со голема брзина, предизвикувајќи повреда.

Турнете ја пилата низ работното парче. Не влечете ја пилата низ работното парче. За да направите рез, подигнете ја главата на пилата и извлечете ја преку работното парче без да сечете, вклучете го моторот, притиснете ја главата на пилата надолу и турнете ја пилата низ работното парче. Режењето со влечните пили може да предизвика сечилото на пилата да се искачи на врвот на работното парче и насилно да го фрли комплетот на сечилото кон операторот.

Никогаш не ставајте ја вашата рака преку предвидената линија за сечење, ниту пред сечилото на пилата ниту зад него. Многу е опасно да го потпирате работното парче „со вкрстени раце“, т.е. да го држете работното парче десно од сечилото на пилата со вашата лева рака или обратно.

Не посегнувајте зад оградата ниту со една рака поблиску од 100 mm од двете страни на сечилото, за да отстраните остатоци од дрво или поради која било друга причина додека сечилото се врти. Близината на сечилото на пилата што се врти во вашата рака може да не биде очигледна и може да бидете сериозно повредени.

Проверете го работното парче пред сечење. Ако работното парче е свиткано или искривено, затегнете го со надворешната свиткана страна кон оградата. Секогаш внимавајте да нема празнина помеѓу работното парче, оградата и плочата долж линијата на сечењето. Свитканите или искривените работни парчиња може да се извитаат или поместат и може да предизвикаат врзување на сечилото на пилата што се врти додека таа сече. Во работното парче не треба да има шајки или туѓи предмети.

Не користете ја пилата додека од плочата не се исчистат сите алати, остатоци од дрво итн., освен од работното парче. Мали остатоци или слободни парчиња од дрво или други предмети кои доаѓаат во контакт со ротирачкото сечило може да се исфрлат со голема брзина.

Сечете само по едно работно парче. Повеќе наредени работни парчиња не можат соодветно да се прицврстат или затегнат и може да се врзат за сечилото или да се поместат за време на сечењето.

Уверете се дека аголната пила е монтирана или поставена на рамна, цврста работна површина пред употреба. Рамната и цврста работна површина го намалува ризикот од нестабилноста на аголната пила.



Планирајте ја вашата работа. Секоја пат кога ќе ја менувате поставката за косина или агол на косина, проверете дали прилагодливата ограда е правилно поставена да го поддржи работното парче и нема да пречи на сечилото или на системот за заштита. Без да го вклучете на алатот на „ВКЛУЧЕНО“ и без работно парче на плочата, поместете го сечилото на пилата низ комплетно симулирано сечење за да се уверете дека нема да има пречка или опасност од сечење на оградата.

Обезбедете соодветна потпора како што се продолжетоци на плоча, потпирач итн., за работно парче кое е пошироко или подолго од горниот дел на плочата. Работните парчиња што се подолги или пошироки од аголната пила може да се превртат ако не се безбедно потпрени. Ако отсеченото парче или работното парче се накриви, тоа може да го подигне долниот штитник или да го исфрли сечилото што се врти.

Не користете друго лице како замена за продолжување на плочата или како дополнителна потпора. Нестабилната потпора на работното парче може да предизвика врзување на сечилото или поместување на работното парче за време на операцијата на сечењето и да ве повлече вас и помошникот во сечилото што се врти.

Отсеченото парче не смее да се заглави или да се притиска на никаков начин врз сечилото што се врти на пилата. Ако е ограничено, т.е. користејќи ограничувања за должина, отсеченото парче може да се заглави на сечилото и насилно да се исфрли.

Секогаш користете стегалка или прицврстувач дизајниран за правилно потпирање на кружен материјал како што се шипки или цевки. Шипките имаат тенденција да се тркалаат додека се сечат заради што сечилото „гризе“ и ја повлекува работата со раката во сечилото.

Оставете го сечилото да достигне целосна брзина пред да дојде во контакт со работното парче. Ова ќе го намали ризикот од исфрлање на работното парче.

Ако работното парче или пилата се заглави, исклучете ја аголната пила. Почекајте да застанат сите подвижни делови и исклучете го приклучокот од изворот на напојување и/или извадете ја батеријата. Потоа работете за да го ослободите заглавениот материјал. Продолженото сечење со заглавено работно парче може да доведе до губење на контрола или оштетување на аголната пила.

По завршување на сечењето, отпуштете го прекинувачот, држете ја главата на пилата надолу и почекајте сечилото да застане пред да го извадете отсеченото парче. Опасно е да се посегнува со раката во близина на сечилото.

Цврсто држете ја рачката кога правете нецелосно сечење или кога го отпуштате прекинувачот пред главата на пилата да биде целосно во долна положба. Дејството на спирање на пилата може да предизвика нагло повлекување на главата на пилата надолу, предизвикувајќи ризик од повреда.

## ИНСТРУКЦИИ ЗА БЕЗБЕДНОСТ ЗА СЕЧИЛО ЗА СЕЧЕЊЕ ДРВО

Ве молиме внимателно прочитајте го упатството и инструкциите пред да го користите сечилото на пилата и машината.

Производот мора да биде во добра состојба, вретеното без деформации и вибрации.

Не користете го производот без поставените штитници. Чувајте ги штитниците во добра работна состојба и одржувајте ги правилно.

Осигурете се дека операторот е соодветно обучен за безбедносни мерки на претпазливост, прилагодување и ракување со производот.

Секогаш носете заштитни наочари и заштита за уши кога го користите производи. Се препорачува носење ракавици, цврсти чевли што не се лизгаат и престилка.

Пред да користете каков било прибор, консултирајте се со упатството за употреба. Неправилната употреба на прибор може да предизвика оштетување и да ја зголеми можноста за повреда.

Користете само сечила наведени во ова упатство, во согласност со EN 847-1.

Внимавајте на максималната брзина означена на сечилото на пилата. Проверете дали брзината наведена на сечилото за пила е барем еднаква на брзината наведена на пилата.

Секогаш користете сечила со правилна големина и форма на дупките на сечилото. Сечилата што не се совпаѓаат со хардверот за монтирање на пилата ќе работат ексцентрично, предизвикувајќи губење на контрола.

Не користете сечила со поголем или помал дијаметар од препорачаното. Не користете разделувачи за да го наместите сечилото на вретеното.

Пред секоја употреба проверете дали врвовите на сечилото на пилата се оштетени или се невообичаени. Врвовите што се оштетени или лабави може да станат летечки предмети и да ја зголемат можноста за лична повреда.

Не користете напукнати или искривени сечила за пила. Не користете сечила за пила кои се оштетени или деформирани. Отстранете го сечилото за пила ако е оштетено, деформирано, искривено или напукнато, поправаќа не е дозволена.

Немојте да користите HSS сечила.

Осигурете се дека сечилото за пила е правилно монтирано, добро затегнете го арборот на завртката пред употреба (вртежен момент на затегнување околу 12 Nm).

Завртките и навртките за прицврстување треба да се затегнат со помош на соодветен клуч, итн.

Не е дозволено продолжување на клучот или затегнувањето со удари со чекал.

Проверете дали сечилата и фланшите се чисти а вдалбатните страни на манжетната се наспроти сечилото.

Проверете дали сечилото ротира во правилна насока.

Пред работење, направете лажан рез без вклучен мотор за да ја проверете положбата на сечилото, работењето на штитниците во однос на другите делови од машината и работното парче.

Никогаш не оставајте го производот без надзор.

Не нанесувајте лубриканти на сечилото кога работи.

Никогаш не вршете чистење или одржување кога машината се уште работи и главата не е во положба на мирување.

Никогаш не обидувајте се да запрете машина во движење со заглавување на алат или други средства на сечилото, на овој начин може да се предизвикаат сериозни несреќи ненамерно.

Исклучете го производот од електричната мрежа или извадете ја батеријата пред да ги смените сечилата или да извршите одржување.

Обрнете внимание на пакувањето и распакувањето, лесно е да се повредите од острите врвови на сечилото.

Користете држач за сечилото или носете ракавици кога ракувате со сечилото за пила.

Чувајте го и складирајте го сечилото во оригиналното пакување или друго соодветно пакување, чувајте го во суви услови и подалеку од хемикалии кои може да го оштетат сечилото.

## ДОПОЛНИТЕЛНИ ИНСТРУКЦИИ ЗА БЕЗБЕДНОСТ И РАБОТЕЊЕ

Секогаш прицврстете го работното парче сигурно и безбедно.

Уверете се дека производот е секогаш стабилен и безбеден (на пр., фиксиран на клупа).

Секогаш носете заштитни средства за уши. Изложеноста на бучава може да предизвика губење на слухот.

Секогаш носете заштитни наочари кога го користите производот. Се препорачува да се носат ракавици за ракување со сечила и груб материјал, плус цврсти чевли што не се лизгаат за заштита на стапалата од работните парчиња кои може да паднат од сечењето.

Исклучете го производот од електричната мрежа или извадете ја батеријата пред да извршете какво било одржување или чистење на производот.

Поврзете се на електричната мрежа само кога производот е исклучен.

EN
DE
FR
IT
ES
PT
NL
DA
NO
SV
FI
EL
TR
CS
SK
PL
HU
SL
HR
LV
LT
ET
RU
BG
RO
MK
UK
AR



Чувајте го мрежниот кабел подалеку од работниот опсег на производот. Држете го надвор од областа во која стои операторот.

Никогаш не посегнувајте во областа близу до сечилото освен ако сечилото целосно не застанало.

Пред употреба целосно проверете го производот, кабелот и приклучокот дали има некакви оштетувања или замор на материјалот. Поправките на целиот материјал, вклучително и кабелот за напојување, треба да ги врши овластен сервисен центар.

Секогаш користете ги штитниците на производот. Не користете го производот ако штитниците не се поставени и не работат правилно.

Долниот штитник на сечилото треба да се отвара само кога сечилото е спуштено на работното парче и мора секогаш да биде во можност слободно да се движи и автоматски да се затвара.

Секогаш фиксирајте и користете ги продолжените шипки за потпирање на работното парче за време на работењето.

Никогаш не менувајте го менувањето на производот или неговата функција. Вашата безбедност може да биде загрознена.

Не користете сечила за пила кои се напукнати, оштетени или деформирани.

Не користете сечила за пила кои се изработени од брзорезен челик.

Користете само остри сечила. Заменете ги тапите сечила.

Секогаш користете сечила со правилна големина и форма на дупките на сечилото. Сечилата што не се совпаѓаат со хардверот за монтирање на пилата ќе работат ексцентрично, предизвикувајќи губење на контрола.

Користете сечила за обработка на дрво наведени во ова упатство, во согласност со EN 847-1.

Не користете никакви фланши, подлошки и навртки за прицврстување на сечилото на пилата освен оние што се испорачани или наведени во упатството за употреба.

Потребно е да се избере сечило за пила што е погодно за материјалот што се сече. Никогаш не користете го производот за сечење други материјали освен оние кои се наведени во делот за наменетата употреба во овој прирачник.

Важно е да се избегне прегревање на сечилото и топење на пластиката при сечење.

Неопходно е да се придржуваат до максималната брзина наведена на сечилото на пилата, користете само сечила за пила кои се означени со брзина еднаква или повисока од брзината означена на алатот.

Заменете ја влошката за плоча кога е истрошена или оштетена.

Пред работење, направете лажан рез без вклучен мотор за да ја проверете положбата на сечилото, работењето на штитниците во однос на другите делови од машината и работното парче.

Кога вршите сечење под агол, коси или сложени коси резови, прилагодите ја лизгачката ограда или под-оградата за да обезбедете правилно растојание од сечилото.

Избегнувајте неконтролирано отпуштање на пилата од целосно долна положба.

Заклучувањето на рачката мора секогаш да биде вклучено при транспортирање на производот.

Производот треба да се чува под агол од нула степени и агол на косина и да се заклучи во положбата. Рачката треба да се заклучи во долната (безбедна) положба со затворени штитници.

Кога го транспортирате во возило, поставете го производот на основата и обезбедете го од движење.

Подигнете го производот само со рачки предвидени за оваа намена. Секогаш користете две раце за да го подигнете производот.

Одржувајте го подот од остатоци на материјал, како што се струготини и остатоци од пилене.

Не отстранувајте остатоци од пилене или други делови на работното парче во областа на пилене додека машината работи и главата за пилене не е во положба на мирување.

Долгите работни парчиња мора соодветно да бидат потпрени. Работната површина на пилата го опфаќа целиот обем на работното парче. Операторот треба да ја обезбеди оваа површина од случаен контакт од други лица или предмети кои може да го поместат работното парче за време на работењето.

Прашината што се создава при употреба на производот може да биде штетна за здравјето. Користете систем за вшмукување на прашина и носете соодветна маска за заштита од прашина. Темелно отстранете ја наталожената прашина со правосмукалка.

Можеби ќе биде потребно да се прилагоди лизгачката ограда за да се обезбеди соодветно растојание пред да се направи кос или сложен рез. Проверете дали завртката за заклучување на лизгачката рамка е добро затегната во прилагодувањето.

Може да се инсталира стегалка и да се користи на двете страни од сечилото. Во некои операции, стегалката може да пречи на штитникот на сечилото. Секогаш уверете се дека нема пречки со штитникот на сечилото пред за започнете каква било операција за сечење за да го намалете ризикот од сериозна лична повреда.

**⚠ ПРЕДУПРЕДУВАЊЕ!** При сечење под агол од 70° дозволен е само агол на косина од 0°.

Ротирачките маси за продолжување може да се постават само во една од трите позиции, во зависност од саканиот тип на сечење.

Не поставувајте ги масите за продолжување во отклучени положби. Поставете ги само во една од трите позиции.

Поставете ги ротирачките маси за продолжување кога правите резови под агол поголем од 45°.

Не заменувајте ЛЕД со друг тип. Сите поправки мора да ги врши само производителот или овластен сервисер.

Кога го користите производот надвор, производителот препорачува користење на RCD уред со исклучување поставено на 30 mA.

Кога го користете производот, флукуациите на напонот може да влијаат врз други електрични производи или осветлување на истото струјно коло. Поврзете го алатот со извор на енергија со импеданса еднаква на 0,299 Ω за да ги минимизирате флукуациите на напонот. Контакттирајте го вашиот снабдувач за електрична енергија за дополнително појаснување.

## ЗАПОЗНАЈТЕ ГО ВАШИОТ ПРОИЗВОД

Видете страна 2-3.

1. Рачка, изолирана површина за фаќање
2. Прекинувач
3. Прекинувач за лост за заклучување
4. LED прекинувач
5. Горен штитник
6. Јаглеродна четка
7. Колче за заклучување на вретеното
8. Игла за заклучување на главата
9. Долен штитник
10. Лизгачка ограда
11. Фиксна ограда
12. Ротирачка плоча за продолжување
13. Колче за заклучување на плочата
14. Колче за премостување на косина
15. Лост за заклучување на косина
16. Отвор за монтирање
17. Завртка за прилагодување на длабочината на сечење
18. Навртка за заклучување на длабочината на сечење
19. Плоча за запирање на длабочината на сечење
20. Носечка рачка
21. Хексадецимален клуч
22. Рачка за заклучување кос агол
23. Скала на косина
24. Подвижна плоча
25. Завртки за заклучување на скалата на агол
26. Кеса за прашина
27. Рачка за ограничување на лизгачката шипка
28. Колче за заклучување на лизгачката шипка
29. Рачка за задржување на косина

30. Стегалка
31. Скала на агол
32. ЛЕД светилка
33. Надворешна фланша
34. Сечило за пила
35. Керф плоча

### СПИСОК НА ДЕЛОВИ ЗА ЗАМЕНА

- PS254DBE: Аголна пила EN 847-1/  $\varnothing 254 \times \varnothing 30 \times 2,6 / 48T / HW / n \text{ max. } 7400 \text{ min}^{-1}$  (Страна 3. Бр. 34)
- Керф плоча (Страна 3. Бр. 35)
- Јаглеродна четка (Страна 2. Бр. 6)

### ОДРЖУВАЊЕ

Не правете никаква измена на производот ниту користете додатоци кои не се одобрени од производителот. Вашата безбедност и безбедноста на други лица може да биде загорзена.

Не користете го производот ако прекинувачите, штитниците или другите функции не работат како што е предвидено. Обратете се во овластен сервисен центар за професионална поправка или прилагодување.

Не правете никакви прилагодувања додека сечилото на пилата е во движење.

Секогаш проверувајте дали производот е исклучен од електричната мрежа пред да направите прилагодувања, подмачкување или какво било одржување на производот.

Пред и после секоја употреба, проверете дали производот има оштетени или скршени делови. Одржувајте го производот во најдобра работна состојба со тоа што веднаш ќе ги замените деловите со делови што ги одобрил производителот.

Сечилото има остри рабови и може да остане жешко по сечењето. Бидете посебно внимателни кога чистите отворено сечило Носете ракавици за да се заштитите од лична повреда.

Редовно чистете ја пилата и нејзиниот прибор од прашина, особено подвижните делови вклучително и штитникот на сечилото. Користете рачна четка или правосмукалка за ефикасно да ја отстранете прашината. Не користете компримиран воздух.

Избегнувајте употреба на растворувачи при чистење на пластични делови. Повеќе пластики подлежат на различни типови комерцијални растворувачи и може да се оштетат со нивната употреба. Користете чисти крпи за отстранување на нечистотија, јаглеродна прашина итн.

Користете само додатоци и резервни делови од AEG. Ако треба да се заменат компоненти кои не се опишани во упатството, контактирајте со некој од агентите за сервис на AEG (видете го списокот со адреси за гаранција/сервис).






Доколку ви е потребно, може да се порача расклопен приказ на алатот. Наведете го типот и сервискиот број отпечатен на етикетата и нарачајте го цртежот кај вашиот локален агент за сервис или директно на: Techtronic Industries GmbH, Max-Eyth-Straße 10, 71364 Winnenden, Germany.

### СИМБОЛИ

	Внимателно прочитајте ги инструкциите пред употреба на производот.
	<b>ВНИМАНИЕ! ПРЕДУПРЕДУВАЊЕ! ОПАСНОСТ!</b>
	Исклучете го приклучокот од штекерот пред да извршите каква било работа на производот.
	Алат од II класа, двојна изолација
	Носете заштита за очите.

	Носете заштита за уши.
	Не ја изложувајте на дожд или не ја користете на влажни локации.
	Носете заштитни ракавици.
	Држете ги рацете подалеку од областа на сечење и острото сечило.
	<b>ВНИМАНИЕ!</b> Не гледајте во работната ламба.
	Насока на ротирање на сечило
	Заби на сечило
	Ширина на рез
	Отвор на арбор и големина на сечило
	Само за сечење дрва
	Прилагодите ја положбата на лизгачката рамка пред да направите коси или сложени резови.
	Не ја фрлајте отпадната електрична и електронска опрема како несортиран комунален отпад. Отпадната електрична и електронска опрема мора да се собира одделно.
	Отпадните извори на светлина треба да се отстранат од опремата. Проверете кај вашиот локален орган или продавач за совет за рециклирање и место за собирање. Според локалните прописи, трговците на мало може да имаат обврска бесплатно да ја враќаат отпадната електрична и електронска опрема. Вашиот придонес за повторна употреба и рециклирање на отпадната електрична и електронска опрема помага да се намали побарувачката на сурови материјали. Отпадната електрична и електронска опрема содржи вредни материјали што може да се рециклираат кои можат негативно да влијаат врз животната средина и врз здравјето на луѓето, доколку не се отстранат на еколошки соодветен начин. Избришете ги личните податоци од отпадната опрема, доколку ги има.

- 
- EN
- DE
- FR
- IT
- ES
- PT
- NL
- DA
- NO
- SV
- FI
- EL
- TR
- CS
- SK
- PL
- HU
- SL
- HR
- LV
- LT
- ET
- RU
- BG
- RO
- MK
- UK
- AR
-

	Волти
	Наизменична струја
	Європски знак за сообразност
	Знак за сообразност на Украина
	Євразиски знак за усогласеност

## UK ПЕРЕКЛАД ОРИГІНАЛЬНИХ ІНСТРУКЦІЙ

### ПЕРЕДБАЧУВАНОМУ ВИКОРИСТАННІ

Акумуляторна комбінована торцювальна пилка призначена для розпилювання твердої та пресованої деревини, матеріалів, аналогічних деревині, зі шпоном або без нього та пластику.

Торцювальна пила призначена для використання тільки дорослими користувачами, які прочитали інструкцію та розуміють ризики та небезпеку, пов'язані з експлуатацією приладу.

Торцювальна пила кріпиться на твердій поверхні робочого столу. Якщо основу закріплено ненадійно, весь пристрій може рухатися при операціях різання, збільшуючи ризик отримання серйозної травми.

Пила призначена для виконання косих зрізів та зрізів під кутом. Можливості щодо різновидів зрізів наведено в описі технічних характеристик приладу в цьому керівництві.

Торцювальна пила має використовуватись в сухому середовищі з гарним освітленням та достатньою вентиляцією.

Пила призначена для побутового використання; при користуванні слід дотримуватися наведених інструкцій і не застосовувати її для інших цілей.

Не використовуйте пристрій для будь-яких інших цілей.

**⚠ ПОПЕРЕДЖЕННЯ!** Прочитайте всі правила безпеки, інструкції, ілюстрації і специфікації, що постачаються з електроінструментом. Недотримання всіх зазначених інструкцій може призвести до ураження електричним струмом, пожежі та/або серйозних травм.

**Збережіть усі попередження та інструкції для подальшого використання.**

### ПРАВИЛА БЕЗПЕКИ ПРИ РОБОТІ З ТОРЦЮВАЛЬНОЮ ПИЛКОЮ

Торцювальні пилки призначені для різання деревини та дерев'яних виробів, вони не можуть бути використані з абразивними відрізними дисками для різання залізних матеріалів, таких як арматура, стрижні, палі і таке інше. Абразивний пил приводить до руйнування таких частин, як нижній захисний кожух. Іскри від абразивного різання можуть опалити нижній захисний кожух, вставку та інші пластикові частини.

Використовуйте затискачі для підтримки оброблюваної деталі, коли це можливо. Якщо ви тримаєте робочу заготовку рукою, тримати руку слід щонайменше на відстані 100 мм з будь-якого боку від леза пилки. Не використовуйте цю пилку для різання заготовок, які є занадто малими для надійного фіксування або утримування рукою. Якщо ваша рука знаходиться занадто близько до леза пилки, ризик травмування від контакту з лезом збільшується.

Робоча заготовка має бути нерухомою та закріпленою або утримуватись між напрямною пильного стола та столом. Не рухайте заготовку під лезо та не намагайтесь різати «вручну» у будь-який спосіб. Заготовки, що не закріплені або

рухаються, можуть відскочити з високою швидкістю та стати причиною травмування.

**Штовхайте пилку через заготовку. Не протягуйте пилку через заготовку.** Для того, щоб зробити переріз, підніміть головку пилки та штовхніть її уздовж заготовки не перерізаючи, запустіть двигун, опустіть головку пилки та штовхніть пилку уздовж робочої заготовки. Різання із натиском призведе до того, що лезо пилки може відертися на верхню частину заготовки та сильно відкинути лезо у зборі до користувача.

**Ніколи не тримайте руки на позначеній лінії різання попереду або позаду леза пилки.** Перехресне утримування робочої заготовки, тобто утримування робочої заготовки праворуч від леза пилки лівою рукою або навпаки є дуже небезпечним.

Не підставляйте руки за напрямну стола ближче ніж на 100 мм з кожного боку від леза пилки, щоб видалити дерев'яні рештки або з будь-якою іншою метою, поки лезо обертається. Близькість леза, що обертається до вашої руки може бути неочевидною, але ви можете отримати серйозні травми.

Перевіряйте робочу заготовку перед перерізанням. Якщо заготовка вигнута або деформована, закріплюйте її зовнішньою вигнутою стороною до напрямної стола. Завжди переконайтесь, що між заготовкою, напрямною та пильним столом немає проміжку уздовж лінії перерізання. Нерівні або деформовані робочі заготовки можуть закрутитись або пересуватись та спричинити затискування обертового леза пилки під час перерізання. Заготовка має бути перевірена на наявність цвяхів та сторонніх об'єктів.

Не використовуйте пилку доки стіл пилки не очищений від всіх інструментів, залишків деревини і тому подібного, за виключенням заготовки. Малі частини або незакріплені шматки деревини або інші об'єкти, які контактують із обертовим лезом можуть бути відкинуті на великій швидкості.

Розрізайте лише одну заготовку за один раз. Кілька складених заготовок не можуть бути закріплені або зафіксовані належним чином, тому це може спричинити затискування леза або пересування під час перерізання.

Перед використанням переконайтесь, що торцювальна пилка встановлена або розміщена на рівній, міцній робочій поверхні. Рівень розміщення та тверда робоча поверхня знижують ризик нестабільної роботи торцювальної пилки.

Плануйте свою роботу. Кожного разу, коли ви змінюєте нахил або регулюєте кут, переконайтесь, що регульована напрямна правильно розміщена для належного утримування робочої заготовки та не буде контактувати з лезом або напрямною системою. Не вмикайте пристрій та без робочої заготовки на пильному столі, проведіть лезом пилки уздовж розрізу, який ви плануєте зробити, щоби переконатись, що він ні з чим не перетинається та немає безпеки перерізання напрямної.

Забезпечте належне утримування, зокрема належне устаткування столу, козли для пильняння тощо для заготовки, що є ширшою або довшою, ніж пильний стіл. Не закріплена належним чином заготовка, що є ширшою або довшою, ніж стіл для торцювальної пилки, може перекинутись. Якщо відрізаний шматок або заготовка підіймається, вона може підняти нижній захисний кожух або бути викинутою обертальним лезом.

Заборонено використовувати іншу особу задля розширення поверхні столу або як додаткову підтримку. Нестабільна підтримка заготовки може призвести до застрягання леза або зсуву деталі під час різання, потягнувши вас та помічника до обертального леза.

Відрізаний шматок не повинен бути затиснутим або притиснутим будь-яким чином до леза пилки. При використанні обмежувачів, наприклад, при використанні упорів по довжині, відрізаний шматок може притискатися до леза, що може призвести до сильної віддачі.

Завжди використовуйте затискачі або пристосування, призначені для надійної підтримки круглих матеріалів, як-от прутки або трубки. Прутки можуть прокручуватися під лезом, при цьому лезо може «закушувати» матеріал і тягнути руку до леза.





Перед тим, як підвести лезо до заготовки, дайте йому розігнатися до повної швидкості. Це зменшить ризик відкидання заготовки.

Якщо заготовка або диск застрягли - вимкніть пилку. Дочекайтеся поки всі рухомі частини зупиняться та від'єднайте штекер від джерела живлення та/або витягніть акумуляторну батарею. Потім працюйте, щоб вивільнити затиснутий матеріал. Продовження розпилювання затиснутої заготовки може спричинити втрату керування або пошкодження моторної пилки.

Після закінчення розрізання відпустіть перемикач, тримайте пилку голівкою вниз і зачекайте, поки лезо не зупиниться, перш ніж знімати відрізний шматок. Не тримайтеся рукою біля леза, це небезпечно.

Тримайте рукоятку міцно, коли робите неповний розріз або відпускаєте перемикач, перед тим як голівка пилки була повністю внизу. Гальмівна дія пилки може призвести до раптового опускання головки вниз, що може спричинити травму.

### ЗАХОДИ БЕЗПЕКИ ПРИ ЕКСПЛУАТАЦІЇ ПИЛКИ ПО ДЕРЕВУ

Перш ніж використовувати виріб і диск для пиляння, уважно прочитайте керівництво та інструкції.

Виріб має знаходитися у гарному робочому стані; шпindel не повинен мати деформації або спричиняти вібрацію.

Не використовуйте пристрій без захисних щитків у належному положенні. Щитки мають бути в гарному робочому стані, їх необхідно регулярно обслуговувати.

Оператор має добре знати заходи безпеки, вміти регулювати інструмент та користуватися ним.

Для роботи з виробом завжди надягайте захисні окуляри та засоби захисту слуху. Рекомендується надягати рукавиці, міцне взуття з неслизькою підшошкою та фартух.

Перш ніж використовувати будь-які аксесуари, уважно прочитайте керівництво з експлуатації. Неправильне використання аксесуарів може призвести до ушкодження виробу та створює ризик травмування.

Використовуйте тільки ножі, зазначені в цьому керівництві, які відповідають стандарту EN 847-1.

Слідкуйте за максимальною швидкістю, зазначеною на різальному диску. Слідкуйте за тим, щоби зазначена на різальному диску швидкість була найменше рівною швидкості, позначеній на пилці.

Завжди використовуйте диски з центральним отвором правильного розміру і форми. Диски, що не відповідають параметрам кріплення, рухатимуться ексцентрично, що може стати причиною втрати контролю.

Не використовуйте диски більших або менших діаметрів, ніж рекомендовані. Не використовуйте шайби для закріплення ножів на шпindelі.

Перед кожним використанням перевіряйте зубчасті краї ножів на пошкодження та інші ознаки несправності. Пошкоджені зубці при експлуатації можуть відламуватися та розлітатися навколо, створюючи ризик травмування.

Не використовуйте диски з тріщинами або погнуті диски. Не використовуйте пошкоджені або деформовані різальні диски.

Пошкоджені, деформовані та потіряні різальні диски не підлягають ремонту та утилізуються.

Не використовуйте диски зі швидкоріжучої сталі.

Перед користуванням перевірте правильність встановлення леза та надійно затягніть гайку (момент затягування прикл. 12 Нм).

Кріпильний гвинт і гайки закручуються за допомогою відповідних ключів тощо.

Не допускається використання подовжувача або затягування ударами молотка.

Переконайтеся, що лезо і фланці чисті, а заглиблені боки кільця прилягають до диска.

Переконайтеся, що диск обертається в правильному напрямку.

Перед роботою зробіть пробний рух, не вмикаючи мотор, щоб можна було перевірити положення леза, роботу захисних пристроїв відносно інших частин машини та заготовки.

Ніколи не залишайте прилад без нагляду.

Не наносіть мастила на диск, коли він рухається.

Забороняється виконувати будь-які роботи з очищення або технічного обслуговування, коли виріб працює, а головка не знаходиться в неробочому положенні.

Ніколи не намагайтеся швидко зупинити диск, який обертається, притисканням до диска інструменту або іншої предметів, це може спричинити до серйозних ушкоджень.

Перед заміною леза або технічним обслуговуванням від'єднайте пристрій від електромережі або витягніть акумуляторну батарею.

Будьте обережні при упакуванні та розпакуванні диска, гострими краями легко поранитися.

Беріть різальний диск за допомогою спеціального тримача або надягайте рукавиці.

Зберігайте диск в оригінальній або іншій відповідній упаковці, у сухому місці та подалі від хімічних речовин, які можуть його пошкодити.

### ДОДАТКОВІ ЗАХОДИ БЕЗПЕКИ ТА ВКАЗІВКИ З ЕКСПЛУАТАЦІЇ

Завжди надійно закріплюйте заготовку.

Слідкуйте, щоби виріб завжди був стійким (наприклад, закріпленим на робочому столі).

Завжди використовуйте засоби захисту слуху. Вплив шуму може спричинити втрату слуху.

При роботі з виробом завжди надягайте захисні окуляри. Рекомендується надягати рукавиці для роботи з гострими та грубими матеріалами, а також міцне взуття з неслизькою підшошкою, щоб захистити ноги від заготовок, які можуть впасти з зони різання.

Перед чистою або технічним обслуговуванням від'єднайте пристрій від електромережі або витягніть акумуляторну батарею.

Під'єднуйте виріб до електромережі, тільки коли він вимкнений.

Дріт живлення має знаходитися на відстані від робочої зони виробу. Тримайте його на відстані від зони, в якій знаходиться оператор.

Ніколи не простягайте руки в робочу зону, доки диск не зупиниться повністю.

Перед використанням ретельно перевірте виріб, дріт і вилку на наявність пошкоджень або втрати матеріалу. Ремонт пристрою включно з кабелем живлення може виконуватися лише у авторизованому сервісному центрі.

Завжди використовуйте захисні щитки на інструменті. Забороняється використовувати виріб без захисних щитків або зі щитками, що працюють неправильно.

Нижній захисний щиток мусить відкриватися лише тоді, коли лезо опускається до заготовки; щиток завжди має вільно рухатися та закриватися автоматично.

Завжди закріплюйте деталі для роботи; за потреби використовуйте подовжувачі.

Ніколи не змінюйте пристрій чи його функції. Це може створювати ризики для вашої безпеки.

Заборонено використовувати пошкоджені або деформовані диски.

Не використовуйте диски з швидкоріжучої сталі.

Використовуйте тільки гострі диски. Тупі диски слід замінювати.

Завжди використовуйте диски з центральним отвором правильного розміру і форми. Диски, що не відповідають параметрам кріплення, рухатимуться ексцентрично, що може стати причиною втрати контролю.

Використовуйте тільки ножі для роботи по дереву, зазначені в цьому керівництві, які відповідають стандарту EN 847-1.

Не використовуйте для кріплення пильного полотна будь-які фланці, шайби та гайки, крім тих, які входять до комплекту або зазначені в інструкції з експлуатації.



EN

DE

FR

IT

ES

PT

NL

DA

NO

SV

FI

EL

TR

CS

SK

PL

HU

SL

HR

LV

LT

ET

RU

BG

RO

MK

UK

AR

i





Необхідно вибрати диск, який підходить для матеріалу, що ріжеться. Ніколи не використовуйте пристрій для різання матеріалів, відмінних від тих, що зазначені в розділі, де описується призначення виробу.

Важливо уникати перегрівання леза та плавлення пластику під час різання.

Важливо дотримуватися максимальної швидкості, зазначеної на диску пилки: використовуйте лише диски, на яких позначена швидкість, рівна або більша, ніж швидкість, зазначена на інструменті.

Замініть пластину для пропила у разі зношення чи ушкодження.

Перед роботою зробіть пробний рух, не вмикаючи мотор, щоб можна було перевірити положення леза, роботу захисних пристроїв відносно інших частин машини та заготовки.

Під час виконання поперечних, косих або складних поперечних розрізів відрегулюйте упор так, щоби забезпечити правильний зазор леза.

Не допускайте випадкового ввімкнення пилки у повністю опущеному положенні.

Під час транспортування пристрою ручка завжди має бути зафіксованою.

Виріб слід зберігати зафіксованим у положенні з нульовим кутom нахилу і скосу. Ручка має бути зафіксованою у нижньому (безпечному) положенні, щитки мають бути закриті.

При перевезенні у транспортному засобі покладіть виріб основою вниз і закріпіть його так, щоб він не рухався.

Піднімайте виріб тільки за передбачені для цього ручки. Піднімайте виріб тільки обома руками.

Підлога робочої зони має бути вільною від силучих матеріалів, таких як тирса чи скалки.

Не прибирайте відрізки частини заготовки з зони різання, доки пристрій працює, а головка пилки не знаходиться у нейтральному положенні.

Довгі заготовки необхідно притримувати. Робочою зоною виробу вважається вся заготовка. Оператор має вжити заходів від випадкового контакту сторонніх осіб або предметів із заготовкою: під час роботи заготовка має залишатися нерухомою.

Пил, що утворюється під час використання пристрою, може завдати шкоди здоров'ю. Використовуйте систему видалення пилу та надягайте відповідну захисну маску для захисту від пилу. Ретельно видаляйте пил пилососом.

Іноколи перед тим як зробити косий або складний розріз, треба відрегулювати обмежувач, щоби забезпечити необхідну відстань. Після регулювання обмежувача переконайтеся, що гвинт фіксації обмежувача щільно затягнутий.

Затискувач можна встановити з будь-якого боку пили. При певних операціях затискувач може чіплятися за захисний щиток. Аби запобігти ризику отримання важких травм, перед різанням обов'язково переконайтеся, що захисний щиток не чіпляється за що-небудь.

**⚠ ПОПЕРЕДЖЕННЯ!** Під час різання під кутom 70° допускається лише кут скосу у 0°.

Залежно від бажаного типу різання можна встановлювати поворотні столи в одне з трьох положень.

Поворотні столи обов'язково слід закріплювати. Встановлюйте його лише в одне з трьох фіксованих положень.

Використовуйте поворотні столи для розрізів під кутom більше 45°.

Не замінюйте світлодіодний елемент іншим. Будь-які ремонтні роботи повинні виконуватися виключно виробником або уповноваженим сервісним агентом.

При використанні виробу на відкритому повітрі виробник рекомендує використовувати УЗО з відключенням на 30 мА.

Під час використання виробу коливання напруги можуть впливати на інші електричні вироби або освітлення в тому самому ланцюзі живлення. Підключіть інструмент до джерела живлення з опором, рівним 0,299 Ом, щоби мінімізувати коливання напруги. За більш докладною інформацією звертайтеся до постачальника електроенергії.

## ОЗНАЙОМТЕСЯ З ВИРОБОМ

Див. стор. 2-3.

1. Ручка, ізолювана поверхня для утримання
2. Вимикач живлення
3. Важіль фіксатора вимикача
4. Вимикач підсвітки
5. Верхній щиток
6. Вугільна щітка
7. Кнопка-фіксатор шпинделя
8. Шпилька фіксатора головки
9. Нижній щиток
10. Рухомий щиток
11. Стационарний щиток
12. Поворотний стіл
13. Кнопка фіксації стола
14. Кнопка байпаса стороннього фіксатора
15. Важіль блокування пили
16. Монтажний отвiр
17. Гвинт регулювання глибини різання
18. Стопорна гайка глибини різання
19. Стопорна пластина глибини різання
20. Ручка для перенесення
21. Шестигранний ключ
22. Ручка фіксатора кута
23. Шкала скосу
24. Поворотний стіл
25. Гвинти для фіксації шкали скосу
26. Пиловловлювач
27. Важіль обмежування повзунка
28. Ручка фіксації повзунка
29. Важіль фіксації скосу
30. Затискувач
31. Шкала нахилу
32. Світлодіодний ліхтарик
33. Зовнішній фланець
34. Різальний диск
35. Пилка розрізування

## СПИСОК ЗАПЧАСТИН

- PS254DBE: Торцювальна пилка EN 847-1/  $\alpha 254 \times \alpha 30 \times 2,6 / 48T / HW / n \text{ max. } 7400 \text{ min-1}$  (стор. 3. № 34)
- Прорізна плита (стор. 3. № 35)
- Вугільна щітка (стор. 2. № 6)

## ТЕХНІЧНЕ ОБСЛУГОВУВАННЯ

Не змінюйте пристрій будь-яким способом або не використовуйте приладдя, не схвалені виробником. Це може створювати ризики для вас і загрожувати безпеці інших осіб.

Не використовуйте виріб, якщо будь-які перемикачі, щитки чи інші функції не працюють належним чином. Поверніть виріб до авторизованого сервісного центру для професійного ремонту або налаштування.

Забороно проводити налаштування під час обертання різального диска.

Завжди переконайтеся, що виріб від'єднано від мережі живлення, перш ніж робити регулювання, змашування або виконувати будь-яке технічне обслуговування.

Перед кожним використанням та після роботи перевіряйте цілісність виробу та його частин. Підтримуйте виріб у найкращому робочому стані, негайно замінюйте зношені деталі новими, використовуючи схвалені виробником запчастини.

Полотно пили має гостру ріжучу кромку і може бути гарячим після роботи. Будьте максимально обережними, чистячи полотно пили. Надягайте рукавиці, аби захиститися від травми.

Регулярно чистьте пилу та аксесуари - зокрема, рухомі компоненти та захисний щиток - від пилу. Для видалення пилу скористайтеся ручною щіткою або пилососом. Не використовуйте повітря під тиском.

При чищенні деталей з пластику не використовуйте розчинники. Більшість пластмас не є стійкими до дії комерційних розчинників і можуть бути пошкоджені. Використовуйте чисту ганчірку з тканини для видалення бруду, вуглецевого пилу, тощо.

Використовуйте лише аксесуари та запасні частини виробництва AEG. У разі потреби у заміні компонентів, не описаних в інструкції, звертайтеся до сервісних центрів та



агентів AEG (див. список наших гарантійних та сервісних центрів з адресами).

За потреби можна замовити зображення пристрою у розібраному вигляді. Вкажіть тип товару та серійний номер, надруковані на етикетці, і замовляйте креслення у місцевому сервісному представництві або безпосередньо за адресою: Techtronic Industries GmbH, Max-Eyth-Straße 10, 71364 Winnenden, Germany.

## СИМВОЛИ

	Перед використанням пристрою уважно прочитайте ці інструкції.
	<b>УВАГА! ПОПЕРЕДЖЕННЯ! НЕБЕЗПЕЧНО!</b>
	Завжди від'єднуйте вилку від розетки перед проведенням будь-яких робіт на пристрої.
	Інструмент класу II, подвійна ізоляція
	Надягайте засоби захисту очей.
	Надягайте засоби захисту слуху.
	Не залишайте під дощем або в умовах підвищеної вологості.
	Надягайте робочі рукавиці.
	Тримайте руки на відстані від зони різання та леза.
	<b>УВАГА!</b> Не дивіться на робоче джерело світла.
	Напрямок обертання диска
	Зубці леза
	Ширина прорізу
	Центральний отвір і розмір диска
	Тільки для різання деревини
	Перед виконанням косого або складного розрізу відрегулюйте положення обмежувача.



Не викидайте старе електричне та електронне устаткування разом із несорттованим побутовим сміттям.

Старе електричне та електронне устаткування збирається окремо.

З устаткування необхідно зняти старі джерела світла.

За інформацією стосовно утилізації або місць збору звертайтеся до місцевої влади або дилера.

Міське законодавство може зобов'язувати продавців безкоштовно приймати старе електричне й електронне устаткування.

Ваш внесок до справи повторного використання та переробки старого електричного та електронного устаткування зменшує потребу у сировині.

У старому електричному та електронному устаткуванні містяться цінні, придатні для повторного використання матеріали, і якщо утилізація такого устаткування проводиться у неекологічний спосіб, це негативно впливає на навколишнє середовище та людське здоров'я.

Видаліть персональні дані з устаткування, яке передається на переробку.

V

Вольт



Змінний струм



Європейський знак відповідності



Український знак відповідності



Євразійська знак відповідності.



EN

DE

FR

IT

ES

PT

NL

DA

NO

SV

FI

EL

TR

CS

SK

PL

HU

SL

HR

LV

LT

ET

RU

BG

RO

MK

UK

AR

1



يجب عزل نفايات مصادر الضوء وفصلها عن المعدات.	
استشر المسؤول أو بائع التجزئة المحلي للحصول على نصائح حول إعادة التدوير ونقطة التجميع.	
وفقًا للوائح المحلية، قد يلتزم تجار التجزئة باسترداد نفايات المعدات الكهربائية والإلكترونية مجانًا.	
تساعد مساهمتك في إعادة استخدام وتدوير نفايات المعدات الكهربائية والإلكترونية على تقليل الطلب على المواد الخام.	
تحتوي نفايات المعدات الكهربائية والإلكترونية على مواد ذات قيمة مرتفعة وقابلة لإعادة التدوير وقد تؤثر سلبيًا على البيئة وصحة الإنسان إذا لم يتم التخلص منها بطريقة متوافقة مع النظم البيئية.	
يجب حذف البيانات الشخصية من نفايات المعدات، إن وجدت.	
فولت	V
التيار المتردد	~
علامة المطابقة الأوروبية	CE
علامة المطابقة الأوكرانية	001
علامة المطابقة الأوروبية الاسيوية	EAC

اقرأ التعليمات بعناية قبل بدء تشغيل المنتج.	
احتياطات! تحذير! خطر!	
يجب فصل المقبس من مصدر الطاقة قبل القيام بأي عمل على المنتج.	
أداة من الفئة الثانية، عزل مزدوج	
يجب ارتداء واقي للعين.	
يجب ارتداء واقيات الأذن.	
يجب عدم تعريض المنتج للمطر أو استخدامه في مواقع رطبة.	
يجب ارتداء قفازات للوقاية.	
يجب إبقاء اليدين بعيدًا عن منطقة القطع والنصل الحاد.	
احتياطات! يجب عدم التحديق في مصباح التشغيل.	
اتجاه دوران النصل	
أسنان الشفرة	
عرض القطع	
محور عجلة النصل وحجم النصل	
مُخصص لقطع الأخشاب فقط	
اضبط موضع الحاجز المنزلق قبل إجراء عمليات قطع مائلة أو مركبة.	
يجب عدم التخلص من نفايات المعدات الكهربائية والإلكترونية على أنها نفايات بلدية بلا فرز.	
يجب جمع نفايات المعدات الكهربائية والإلكترونية وفرزها بشكل منفصل.	



EN

DE

FR

IT

ES

PT

NL

DA

NO

SV

FI

EL

TR

CS

SK

PL

HU

SL

HR

LV

LT

ET

RU

BG

RO

MK

UK

AR

1





عند استخدام المنتج في الهواء الطلق، توصي الشركة المصنعة باستخدام وحدة RCD مع ضبط trip على 30 مللي أمبير.

عند استخدام المنتج، قد تؤثر تذبذبات الجهد على المنتجات الكهربائية الأخرى أو الإضاءة في نفس دائرة الطاقة. قم بتوصيل الآداة بمصدر طاقة بمقاومة تساوي 0.299 Ω لتقليل تذبذبات الجهد. اتصل بمزود الطاقة الكهربائية الخاص بك لمزيد من التوضيح.

### تعرف على المنتج

انظر صفحة 2-3.

1. مقبض بسطح معزول
2. مفتاح التشغيل
3. ذراع مفتاح القفل
4. مفتاح إضاءة LED
5. وافي علوي
6. فراهشة كربون
7. زر قفل عمود الدوران
8. مسامير قفل الرأس
9. وافي سفلي
10. حاجز منزلق
11. حاجز ثابت
12. طولة تمديد دوارة
13. زر قفل الطولة
14. زر تحويل سقاطة الشطب
15. ذراع قفل الشطب
16. فتحة التثبيت
17. برغي تعديل عمق القطع
18. صامولة قفل عمق القطع
19. صفحة إيقاف عمق القطع
20. مقبض للحمل
21. مفتاح سداسي
22. مقبض قفل زاوية الميل
23. مقبض الميل
24. قرص دوارة
25. براغي قفل مقبض الشطب
26. كبس تربة
27. ذراع حد العمود المنزلق
28. مقبض قفل العمود المنزلق
29. ذراع سقاطة الميل
30. قامة
31. مقبض الشطب
32. إضاءة LED
33. شفة خارجية
34. نصل المشمار
35. صفحة القطع

### قائمة قطع الغيار

- PS254DBE: منشار تلسن / HW / 2.6 / 48T / ø254 x ø30 x 2.6 / EN 847-1 / كحد أقصى. 7400 دقيقة (1-3. صفحة) رقم 34
- صفحة القطع (صفحة 3، رقم 35)
- فراهشة كربون (صفحة 2، رقم 6)

### الصلابة

يجب عدم تعديل المنتج بأي شكل من الأشكال وعدم استخدام ملحقات غير معتمدة من قبل الشركة المصنعة. قد تتعرض سلامتك والأخرين للخطر.

يجب عدم استخدام المنتج إذا كانت أية مفاتيح أو واقيات أو وظائف أخرى لا تعمل على النحو المنشود. يجب الرجوع إلى مركز خدمة معتمد لإجراء إصلاحات أو تعديلات احترافية.

يجب عدم إجراء أية تعديلات أثناء حركة نصل المشمار.

يجب التأكد دائماً من فصل المنتج عن مصدر التيار الكهربائي قبل إجراء تعديلات أو تشحيم أو عند إجراء أية صيانة للمنتج.

يجب فحص المنتج بحثاً عن التلف أو الأجزاء المكسورة قبل وبعد كل استخدام. يجب الحفاظ على المنتج في أفضل ظروف تشغيلية عن طريق استبدال الأجزاء فوراً بقطع غيار معتمدة من الشركة المصنعة.

للنصل حواف حادة وقد تظل ساخنة أيضاً بعد عمليات القطع. يجب توخي الحذر الشديد عند تنظيف نصل مكثوف. يجب ارتداء الفحازات لحماية نفسك من الإصابة الجسدية.

يجب تنظيف المشمار وملحقاته من الغبار بشكل منتظم، وخاصة الأجزاء المتحركة بما في ذلك وافي النصل. استخدم فرشاة يدوية أو مكنتة كهربائية لإزالة الغبار بغالعية. يجب عدم استخدام الهواء المضغوط في ذلك.

تجنب استخدام أي منيات عند تنظيف الأجزاء البلاستيكية. تتعرض معظم الأجزاء البلاستيكية لأنواع مختلفة من المنيات التجارية وقد تتضرر جراء استخدامها. استخدم قطعة قماش نظيفة لإزالة الأوساخ وغبار الكربون وما نحو ذلك.

استخدام قطع ملحقات وقطع غيار AEG. إذا اقتضت الحاجة تغيير بعض المكونات التي لم يرد وصفها، يرجى الاتصال بأحد وكلاء خدمة AEG لدينا (راجع قائمتنا الخاصة بعنوان الضمان/الخدمة).

إذا اقتضت الحاجة، يمكن طلب الوصول على عرض مفصل للمنتج. حدد نوع المنتج والرقم التسلسلي المطبوع على الملصق، واطلب الرسم من وكيل الخدمة المحلي أو مباشرة

يجب الحرص دائماً على ارتداء نظارات واقية عند استخدام المنتج. يُوصى بارتداء قفازات للتعامل مع الأوصال والمواد الخشنة، بالإضافة إلى أحذية ممتلئة مانعة للانزلاق لحماية القدمين من قطع العمل التي قد تسقط من منطقة القطع.

يجب فصل المنتج عن مصدر إمداد الطاقة أو نزع مجموعة البطارية قبل إجراء أية أعمال صيانة أو تنظيف للمنتج.

يجب عدم توصيل المنتج بمصدر الطاقة إلا عندما يكون المنتج في وضع إيقاف التشغيل.

يجب دائماً إبعاد الوصلات الأساسية للمنتج بعيداً عن منطقة عمله. ويجب إبعاده إلى خارج المنطقة التي يقف فيها مشغل المنتج.

يجب عدم مد اليدين إلى المنطقة القريبة من النصل ما لم يتوقف النصل تماماً.

يجب فحص المنتج والكابلات الكهربائية والمقبس جيداً بحثاً عن أي تلف أو كلال في المواد. يجب إجراء إصلاحات المنتج بالكامل، وكذلك الكابلات الكهربائية بواسطة مركز خدمة معتمد فقط.

يجب دائماً استخدام الواقيات على المنتج. يجب عدم استخدام المنتج إذا لم تكن الواقيات مثبتة في مكانها وتعمل بشكل صحيح.

يجب أن يفتح وافي النصل السفلي فقط عندما يتم خفض النصل إلى قطعة العمل ويجب أن يكون دائماً قادراً على التحرك بحرية والإغلاق تلقائياً.

يجب دائماً تثبيت واستخدام قضبان التمديد لدعم قطعة العمل أثناء التشغيل.

يجب عدم تعديل المنتج أو تغيير وظيفته. قد تتعرض سلامتك للخطر.

يجب عدم استخدام أنصال المشمار المتشقة أو التالفة أو المشوهة.

يجب عدم استخدام أنصال المشمار عالية السرعة والمصنوعة من الفولاذ.

يجب استخدام الأوصال الحادة فقط. استبدل الأوصال البليدة.

يجب دائماً استخدام أنصال ذات الحجم والشكل الصحيحين لمحور عجلة النصل. الأوصال التي لا تتطابق مع أجزاء تثبيت المشمار ستعمل بطريقة منحرفة، مما يتسبب في فقدان التحكم.

يجب استخدام الأوصال المخصصة للخشب والمحددة في هذا الدليل فقط، والتي تتوافق مع EN 847-1.

يجب عدم استخدام أية شفة أو فلكة أو صواميل لتأمين نصل المشمار بخلاف تلك المرفقة أو المشار إليها في دليل التعليمات.

من الضروري تحديد نصل المشمار المناسب للمادة التي يتم قطعها. يجب عدم استخدام المنتج مطلقاً لقطع مواد غير تلك المحددة في قسم الاستخدام المخصص في هذا الدليل.

من المهم تجنب ارتفاع درجة حرارة النصل لكي لا يؤدي إلى صهر البلاستيك أثناء القطع.

من الضروري الالتزام بالسرعة القصوى المحددة على نصل المشمار، وعدم استخدام أي نصل سوى نصل المشمار المدون فوفاه سرعة تساوي أو تزيد عن السرعة المحددة على الآداة.

يجب استبدال مدخل الطاولة عند التآكل أو التلف.

قبل بدء العمل، قم بعمل قطع وهمي بدون تشغيل المحرك حتى يتم فحص موضع النصل وعمل الواقيات فيما يتعلق بأجزاء الآلة الأخرى وقطعة العمل.

عند إجراء عمليات قطع مائل أو مشطوب أو مشطوب مركب، يجب ضبط الحاجز المنزلق أو الحاجز الفرعي لضمان الخلو الصحيح من النصل.

يجب تجنب التحرير غير المتحكم فيه لوحدة المشمار من الموضع السفلي الكامل.

يجب دائماً تعديلاً قفل المقبض عند نقل المنتج.

يجب تخزين المنتج عند زاوية ميل وشطب صفرية وقلبه في هذا الوضع. يجب قفل المقبض في الوضع المنخفض (الأم) مع غلق الواقيات.

عند النقل باستخدام سيارة، يجب وضع المنتج على قاعدته وإحكام تثبيته لتأمينه ضد الحركة.

يجب رفع المنتج فقط من خلال المقابض المتوفرة لهذا الغرض. يجب دائماً استخدام كلتي اليدين لرفع المنتج.

يجب إبقاء مساحة الأرضية خالية من المواد السائبة، مثل الرقائق والقطع المقطوعة.

يجب الانتباه عن إزالة أي قطع مقطوعة أو أجزاء أخرى من قطعة العمل من منطقة القطع أثناء تشغيل المنتج ورأس المشمار ليس في وضع التوقف.

يجب دعم قطع العمل الطويلة بشكل كافٍ. تشمل منطقة عمل المشمار الامتداد الكامل لقطعة العمل. يجب على المشغل تأمين هذه المنطقة من التلامس العرضي من قبل أشخاص آخرين أو من التلامس مع أشياء أخرى قد تحرك قطعة العمل أثناء التشغيل.

قد يكون الغبار الناتج عن استخدام المنتج ضاراً بالصحة. يجب استخدام نظام لشطب الغبار وارتداء قناع حماية مناسب ضد الغبار. يجب إزالة الغبار المترسب جيداً باستخدام مكنتة كهربائية.

قد يكون من الضروري تعديل الحاجز المنزلق لضمان الخلو المناسب قبل إجراء القطع المائل أو المركب. يجب التأكد من إحكام برغي قفل الحاجز المنزلق بإحكام بعد الضبط.

يمكن تثبيت القامة واستخدامها على جانبي النصل. في بعض عمليات النصل، قد يحدث تداخل للقامة مع مجموعة وافي النصل. يجب دائماً التأكد من عدم وجود تداخل مع وافي النصل قبل بدء أي عملية قطع لتقليل مخاطر التعرض لإصابة شخصية خطيرة.

⚠️ **تحذور!** عند إجراء قطع مشطوب بدرجة 70 درجة، يُسمح فقط بزاوية ميل قياسها 0 درجة.

يمكن ضبط طولوات التمديد الدوارة على أحد الأوضاع الثلاثة اعتماداً على نوع القطع المطلوب.

يجب عدم ضبط طولوات التمديد إلى أوضاع عدم القفل. يجب الضبط على أحد الأوضاع الثلاثة الموصلة فقط.

يجب استخدام طولوات التمديد الدوارة عند عمل قطع مشطوب بزاوية أكبر من 45 درجة.

يجب عدم استبدال إضاءة LED بنوع مختلف. يجب دائماً إجراء أية إصلاحات من قبل الشركة المصنعة أو وكيل الخدمة المعتمد فقط.



## شروط استخدام محددة

صمم منشار التنسين لنشر الأخشاب الطبيعية الصلبة والصناعية والمواد الأخرى المشابهة للأختاب، سواء كانت ذات قشرة أو بلاستيك ملتصق أو بدون.

منشار التنسين مُصمَّم لاستخدام فقط بواسطة المشغلين البالغين بعد قراءتهم لدليل التعليمات وفهم المخاطر الخطيرة به.

صنم منشار التنسين لئتم تثبيتته عند القاعدة على سطح صلب لطول العمل. إذا لم يتم تثبيت القاعدة بإحكام، فقد تتحرك الماكينة بأكملها أثناء عمليات القطع، مما يزيد من احتمالية حدوث إصابات جسدية خطيرة.

منشار التنسين مُصمَّم لعمل القطع المائل والشطب. ساعات القطع المختلفة متوفرة في قسم مواصفات المنتج بهذا الدليل.

يجب استخدام منشار التنسين في ظروف جافة مع إضاءة ممتازة وتهوية مناسبة للمحيط من حوله.

منشار التنسين مُصمَّم لاستخدام المستهلك ويجب استخدامه فقط كما هو موضح أعلاه وليس مُصمَّمًا لأي غرض آخر.

لا تستخدم المنتج لأي غرض آخر.

**⚠ تحذير!** اقرأ جميع تحذيرات السلامة والتعليمات والرسوم التوضيحية والمواصفات المتوفرة مع هذه الأداة الكهربائية. قد يؤدي عدم اتباع جميع الإرشادات المذكورة أعلاه إلى حدوث صدمة كهربائية أو حرق أو إصابة خطيرة.

احتفظ بجميع التحذيرات والتعليمات للرجوع إليها مستقبلاً.

## تعليمات السلامة الخاصة بمنشار التنسين

منشار التنسين مُصمَّم لقطع الأخشاب والمنتجات الشبيهة بالخشب، ولا يمكن استخدامه مع أحجار الجرانيت لقطع المواد الحديدية مثل القضبان والأعددة والجوابق وما إلى ذلك. يتسبب غير التشغيل في انحسار الأجزاء المتحركة مثل الوالي السفلي، الشراشات الناجمة عن القطع الكاشط سوف تحرق الوالي السفلي ومغرز القطع والأجزاء البلاستيكية الأخرى.

استخدم قاطعات لدعم قطعة العمل كما يمكن ذلك. إذا كنت تدعم قطعة العمل بحدك، فيجب عليك دائماً إبقاء يدك على بعد 100 ملم على الأقل من أي من جانبي نصل المنشار. لا تستخدم هذا المنشار لقطع القطع الصغيرة جدًا للدرجة أنك لا تستطيع تثبيتها بإحكام بالقاطعات أو حملها باليد. إذا كانت يدك قريبة جدًا من نصل المنشار، فهناك خطر متزايد للإصابة الناجمة عن ملامسة النصل.

يجب أن تكون قطعة العمل ثابتة ومثبتة بقاطعات أو مثبتة على الحاجز وقطعة العمل يجب عدم تقطيع قطعة العمل في النصل أو القطع "بهدوء باي حال من الأحوال". قد يتم تقطيع قطعة العمل غير المثبتة أو المتحركة بسرعات عالية، مما يتسبب في حدوث إصابة.

ادفع المنشار واطبق قوة ضغط العمل. يجب عدم جذب المنشار عبر قطعة العمل. لعل قطع، ارفع رأس المنشار واسحب فوق قطعة العمل دون تقطع، وأبدا تشغيل المحرك، واضغط على رأس المنشار لأسفل ثم ادفع المنشار عبر قطعة العمل. من المحتمل أن يتسبب قطع شوط السحب في صعود نصل المنشار أعلى لقطعة العمل وقذف مجموعة النصل بعنف باتجاه المشغل.

لا تجعل يدك أبداً تتقاطع مع خط القطع المقصود سواء أمام نصل المنشار أو خلفه. يعد دعم قطعة العمل "باليد المقاطعة" مع خط القطع أي تثبيت قطعة العمل الموضوعة على يمين نصل المنشار بيك اليسرى أو اليمين أمرًا خطيرًا للغاية.

لا تد يدك خلف الحاجز بحيث تكون يدك على مقربة من أي جانب من جانبي نصل المنشار بمسافة تقل عن 100 ملم لإزالة نشارة الخشب أو لأي سبب آخر أثناء دوران النصل. قد لا يكون قريب نصل المنشار الدوار من يدك واضحًا وقد تتعرض لإصابة خطيرة.

يجب فحص قطعة العمل قبل بدء القطع. إذا كانت قطعة العمل متحنية أو ملتوية، ثبتها بقاطعة العمل والحاجز والطاولة على طول خط القطع. تأكد دائما من عدم وجود فراغ بين قطعة العمل والملتوية وقد يتسبب ذلك في حدوث انثناءات على نصل المنشار أثناء القطع. يجب ألا يكون هناك مسامير أو أجسام غريبة في قطعة العمل.

لا تستخدم المنشار حتى تصبح الطاولة خالية من جميع الأدوات ونشارة الخشب وغيره، باستثناء قطعة العمل. قد تتعرض قطع الحطام الصغيرة أو القطع السائبة من الخشب أو الأشياء الأخرى التي تلامس النصل الدوار للقفص بسرعة عالية.

يجب قطع قطعة عمل واحدة فقط في كل مرة. لا يمكن تثبيت قطع العمل المتعددة المتكسدة أو شدها بشكل كافٍ وقد تنتهي على النصل أو تتزحزح أثناء القطع.

تأكد من تثبيت منشار التنسين وإضعه على سطح عمل مستو وثابت قبل الاستخدام. يحد سطح العمل المستوي والثابت من خطر عدم استقرار منشار التنسين في مكانه.

ضع خطة لعملك. في كل مرة تقوم فيها بتغيير ضبط الزاوية المائلة أو الشطبية، تأكد من ضبط الحاجز القابل للتدوير بشكل صحيح لدعم العمل وأنه لن يتداخل مع النصل أو نظام الحماية. يجب عمل ذلك بدون وضع الأداة في وضع التشغيل وبدون وجود قطعة عمل على المنشرة؛ حرّك نصل المنشار بطريقة مضطربة لمحاكاة حركة قطعة كاملة وذلك للتأكد من عدم وجود تداخل أو خطر قطع الحاجز.

توفير الدعم الكافي مثل امتدادات الطاولة وحامل نشر وما إلى ذلك، لتوفير مساحة أكبر لقطع العمل الأكثر عرضاً أو طولاً والتي يتعدى حجمها سطح الطاولة. قد تتقلب قطع العمل الأكثر طولاً أو عرضاً من طاولة منشار التنسين إذا لم يتم دعمها بشكل آمن. إذا مالت القطعة المقطوعة أو قطعة العمل فقد تؤدي إلى رفع الوالي السفلي أو قذفه بواسطة النصل الدوار.

يجب عدم استخدام شخص آخر عوضاً عن تمديد الطاولة أو عدم إضافتي. قد يتسبب الدعم غير المستقر لقطعة العمل في شوي النصل أو زحزحة قطعة العمل أثناء عملية القطع، مما قد يعرضك أنت والشخص المساعد للسحب نحو النصل الدوار.

يجب عدم انحسار القطعة المقطوعة أو ضغطها بأي وسيلة على النصل الدوار للمنشار. إذا جُزّت القطعة المقطوعة بسبب استخدام حواجز الطول، فقد تتعرض من النصل ويتم قذفها بحزن.

يجب دائما استخدام قاطعة أو أداة تثبيت مصممة لتوفير دعم مناسب للمواد المستديرة كالأعددة أو الألباب. تميل القضبان إلى التدرج أثناء القطع، مما يتسبب في "يقصر" النصل على قطعة الشغل ويسببها مع يدك باتجاه النصل.

دع النصل يصل إلى السرعة القصوى قبل ملامسة قطعة العمل. سيظل هذا من خطر قذف قطعة العمل.

في حالة انحسار قطعة العمل أو النصل، يجب إيقاف تشغيل منشار التنسين. انتظر حتى يتوقف جميع الأجزاء المتحركة وأفضل المقيس عن مصدر الطاقة أو انزع مجموعة البطارية. ثم اعمل على تحرير المادة المحشورة. قد يتسبب النشر المستمر بقطعة عمل محشورة في فقدان التحكم أو إتلاف منشار التنسين.

بعد الانتهاء من القطع، حرر المفتاح، واضغط على رأس المنشار لأسفل وانظر حتى يتوقف النصل قبل إزالة القطعة المقطوعة. من الخطورة مد يدك بالقرب من النصل المتحرك بدون ترس.

امسك المقيض بقوة عند إجراء قطع غير كامل أو عند تحرير المفتاح قبل أن يصبح رأس المنشار في الوضع المنخفض تماما. قد تتسبب حركة الكبح للمنشار في سحب رأس المنشار إلى أسفل فجأة، مما يؤدي إلى خطر الإصابة.

## تعليمات السلامة الخاصة بنصل قطع الأخشاب

يرجى قراءة الدليل والتعليمات بعناية قبل استخدام نصل المنشار والآلة.

يجب أن يكون المنتج بحالة جيدة، وأن يكون عمود الدوران سليماً دون تشوه أو اهتزاز. لا تستخدم المنتج دون وضع الواقيات في أماكنها. يجب الحفاظ على الواقيات في حالة عمل جيدة وصيانتها بشكل صحيح.

تأكد من تلقي المشغل تدريباً كافياً على اتباع احتياطات السلامة وضبط المنتج وتشغيله.

يجب الحرص دائما على ارتداء نظارات واقية وكذلك واقيات الأذن عند استخدام المنتج. يُوصى بارتداء القفازات والأحذية المتيقنة غير القابلة للانزلاق ومزتر العمل.

يجب مراجعة دليل التعليمات قبل استخدام أي ملحق من الملحقات. قد يتسبب الاستخدام غير الصحيح للملحق في حدوث إتلاف الأداة ويزيد من احتمالية الإصابة.

يجب استخدام الأضلال المحددة في هذا الدليل فقط، والتي تتوافق مع EN 847-1.

يجب الالتزام بالسرعة القصوى الموضحة على نصل المنشار. تأكد من أن السرعة المحددة على نصل المنشار تتماوى مع أعلى السرعة المسموحة الموضحة على المنشار.

يجب دائما استخدام أضلال ذات الحجم والشكل الصحيحين لمحور عجلة النصل. الأضلال التي لا تتطابق مع أجزاء تثبيت المنشار ستعمل بطريقة منحرفة، مما يتسبب في فقدان التحكم.

يجب عدم استخدام أضلال ذات قطر أكبر أو أصغر من الموصى به. يجب عدم استخدام أي فواصل لجعل النصل مناسباً لمعمود الدوران.

يجب فحص أطراف نصل المنشار بحثاً عن أي تلف أو مظهر غير طبيعي قبل كل استخدام. قد تتحول حواف النصل المتلفة أو السائبة إلى أجسام متطايرة أثناء الاستخدام وتزيد من فرصة الإصابة الشخصية.

يجب عدم استخدام أضلال المنشار المتشققة أو الموعجة. يجب عدم استخدام أضلال المنشار التي تتلصق من أضلال المنشار في حالة تلفها أو تشوهها أو تشوهها أو تصدعها، ولا يُسمح بإصلاحها.

يجب عدم استخدام الأضلال الفولاذية ذات السرعة العالية (HSS blades).

يجب التأكد من تثبيت النصل المنشار بشكل صحيح، وشد صامولة محور عجلة النصل بإحكام قبل الاستخدام (بشد عزم الدوران حوالي 12 نيوتن متر).

يجب إحكام ربط البرغي وصواميل التثبيت بقطع مطاق الربط المناسب وغيره.

لا يُسمح باستخدام البطارية بالمطرقة كوسيلة لتعزيز عمل مفتاح الربط أو الشد.

يجب التأكد من نظافة النصل والشفة وأن الجوانب الغائرة من الرقبة مثبتة أمام النصل.

يجب التأكد من أن النصل يدور في الاتجاه الصحيح.

قبل بدء العمل، قد يبعث قطع وهي بدون تشغيل المحرك حتى يتم فحص موضع النصل وعمل الواقيات فيما يتعلق بأجزاء الآلة الأخرى وقطعة العمل.

يجب عدم ترك المنتج دون رقابة.

يجب عدم وضع مواد التشحيم على النصل أثناء تشغيله.

يجب دائما عدم القيام بأي أعمال تنظيف أو صيانة عندما تكون الآلة قيد التشغيل والرأس ليس في وضع التوقف.

يجب عدم محاولة إيقاف الآلة أثناء دورانها بسرعة عن طريق حشر أداة أو وسيلة أخرى في النصل، فقد تحدث حوادث خطيرة عن غير قصد بهذه الطريقة.

يجب فصل المنتج عن مصدر إمداد الطاقة أو نزع مجموعة البطارية قبل تغيير النصل أو إجراء الصيانة.

يجب الانتهاء إلى فتح تغليف الأضلال وإعادة تغليفها في الصناديق، فمن السهل حدوث إصابة من أطراف النصل الحادة.

يجب استخدام حامل النصل أو ارتداء قفازات عند التعامل مع نصل المنشار.

يجب الاحتفاظ بالنصل وتخزينه في عبوة التغليف الأصلية أو عبوات أخرى مناسبة، وحفظه في ظرف جاف بعيداً عن المواد الكيميائية التي قد تتلف النصل.



## تعليمات إضافية للسلامة والتشغيل

يجب دائما تثبيت قطعة العمل بقاطعات تثبيتاً محكماً وأمثاً.

يجب التأكد من أن المنتج ثابت ومُؤمَّن دائماً (على سبيل المثال، مثبت على طاولة)



يجب دائما ارتداء واقيات الأذن. قد يؤدي التعرض للضوضاء إلى فقدان السمع.




- 
- EN
- DE
- FR
- IT
- ES
- PT
- NL
- DA
- NO
- SV
- FI
- EL
- TR
- CS
- SK
- PL
- HU
- SL
- HR
- LV
- LT
- ET
- RU
- BG
- RO
- MK
- UK
- AR
- 







- 
- EN
- DE
- FR
- IT
- ES
- PT
- NL
- DA
- NO
- SV
- FI
- EL
- TR
- CS
- SK
- PL
- HU
- SL
- HR
- LV
- LT
- ET
- RU
- BG
- RO
- MK
- UK
- AR
- 



- 
- EN
- DE
- FR
- IT
- ES
- PT
- NL
- DA
- NO
- SV
- FI
- EL
- TR
- CS
- SK
- PL
- HU
- SL
- HR
- LV
- LT
- ET
- RU
- BG
- RO
- MK
- UK
- AR
- 



- 
- EN
- DE
- FR
- IT
- ES
- PT
- NL
- DA
- NO
- SV
- FI
- EL
- TR
- CS
- SK
- PL
- HU
- SL
- HR
- LV
- LT
- ET
- RU
- BG
- RO
- MK
- UK
- AR
- 





English	Deutsch	Français	Italiano	Español
<b>Technical data</b>	<b>Technische Daten</b>	<b>Données techniques</b>	<b>Dati tecnici</b>	<b>Datos técnicos</b>
Input	Eingangsleistung	Alimentation	Ingresso	Entrada
Net weight	Nettogewicht	Poids Net	Peso netto	Peso neto
No-load speed	Leerlaufdrehzahl	Vitesse à vide	Velocità senza carico	Velocidad sin carga
Saw blade diameter	Durchmesser des Sägeblatts	Diamètre de la lame de scie	Diametro lama	Diámetro del disco de sierra
Arbor hole	Mittelloch	Alésage de l'arbre	Foro conico	Orificio del árbol
Blade teeth	Sägezähne	Nombre de dents	Denti lame	Dientes de la hoja
Width of cut	Breite des Schnitts	Largeur de coupe	Larghezza di taglio	Anchura de corte
Maximum cutting capacity	Maximale Schnittleistung	Capacité de coupe maximale	Massima capacità di taglio	Capacidad máxima de corte
Mitre 0° / Bevel 0°	Gehrung 0° / Schrägung 0°	Onglet 0° / Biseau 0°	Sega 0° / bisello 0°	Inglete 0° / Bisel 0°
Mitre 45° / Bevel 0°	Gehrung 45° / Schrägung 0°	Onglet 45° / Biseau 0°	Sega 45° / bisello 0°	Inglete 45° / Bisel 0°
Mitre 0° / Bevel 45° (left)	Gehrung 0° / Schrägung 45° (links)	Onglet 0° / Biseau 45° (gauche)	Sega 0° / bisello 45° (sinistro)	Inglete 0° / Bisel 45° (izquierdo)
Mitre 0° / Bevel 45° (right)	Gehrung 0° / Schrägung 45° (rechts)	Onglet 0° / Biseau 45° (droite)	Sega 0° / bisello 45° (destro)	Inglete 0° / Bisel 45° (derecho)
Mitre 0° / Bevel 48° (left)	Gehrung 0° / Schrägung 48° (links)	Onglet 0° / Biseau 48° (gauche)	Sega 0° / bisello 48° (sinistro)	Inglete 0° / Bisel 48° (izquierdo)
Mitre 0° / Bevel 48° (right)	Gehrung 0° / Schrägung 48° (rechts)	Onglet 0° / Biseau 48° (droite)	Sega 0° / bisello 48° (destro)	Inglete 0° / Bisel 48° (derecho)
Mitre 45° / Bevel 45° (left)	Gehrung 45° / Schrägung 45° (links)	Onglet 45° / Biseau 45° (gauche)	Sega 45° / bisello 45° (sinistro)	Inglete 45° / Bisel 45° (izquierdo)
Mitre 45° / Bevel 45° (right)	Gehrung 45° / Schrägung 45° (rechts)	Onglet 45° / Biseau 45° (droite)	Sega 45° / bisello 45° (destro)	Inglete 45° / Bisel 45° (derecho)
Mitre 45° / Bevel 48° (left)	Gehrung 45° / Schrägung 48° (links)	Onglet 45° / Biseau 48° (gauche)	Sega 45° / bisello 48° (sinistro)	Inglete 45° / Bisel 48° (izquierdo)
Mitre 45° (left) / Bevel 48° (right)	Gehrung 45° (links) / Schrägung 48° (rechts)	Onglet 45° (gauche) / biseau 48° (droite)	Sega 45° (sinistra) / Bisello 48° (destro)	Inglete 45° (izquierdo) / Bisel 48° (derecho)
Mitre 70° / Bevel 0°	Gehrung 70° / Schrägung 0°	Onglet 70° / Biseau 0°	Sega 70° / bisello 0°	Inglete 70° / Bisel 0°
Maximum cutting depth	Maximale Schnitttiefe	Profondeur maximale de découpe	Profondità di taglio massima	Profundidad máxima de corte
Minimum workpiece dimensions	Mindestabmessungen des Werkstücks	Dimensions minimum de la pièce à usiner	Dimensioni minime del pezzo di lavoro	Dimensiones mínimas de la pieza de trabajo
<b>Noise Information</b>	<b>Geräuschinformationen</b>	<b>Informations sur le bruit</b>	<b>Informazioni su rumori</b>	<b>Información sobre ruido</b>
Measured values determined according to EN 62841. Typically, the A-weighted noise levels of the tool are:	Messwerte ermittelt gemäß EN 62841. Die typischen A-bewerteten Geräuschpegel des Werkzeugs sind:	Valeurs mesurées déterminées selon la norme EN 62841. En standard, les niveaux sonores pondérés A de l'outil sont :	I valori misurati sono determinati secondo EN 62841. Tipicamente i livelli di rumorosità con pesatura A dell'utensile sono:	Los valores evaluados se determinan conforme a la norma EN 62841. Habitualmente, los niveles de ruidos ponderados A de la herramienta son:
Sound pressure level / Uncertainty	Schalldruckpegel / Unsicherheit	Niveau de pression acoustique / Incertitude	Livello di pressione sonora / Incertezza	Nivel de presión acústica / Incertidumbre
Sound power level / Uncertainty	Schalleistungspegel / Unsicherheit	Niveau de puissance acoustique / Incertitude	Livello di potenza sonora / Incertezza	Nivel de potencia acústica / Incertidumbre
<b>Wear ear protection!</b>	<b>Tragen Sie einen Gehörschutz!</b>	<b>Porter une protection auditive</b>	<b>Indossare la protezione per orecchie!</b>	<b>¡Utilice protecciones auditivas!</b>





Português	Nederlands	Dansk	Norsk	Svenska	
Dados técnicos	Technische gegevens	Tekniske data	Tekniske data	Tekniska uppgifter	
Entrada	Ingang	Indgang	Inngang	Ingång	220V - 240V ~ 50 Hz
Peso líquido	Netto gewicht	Nettovægt	Netto vekt	Nettovikt	24,6 kg
Velocidade sem carga	Onbelast toerental	Hastighed uden belastning	Hastighet uten belastning	Hastighet utan belastning	4800 min <sup>-1</sup>
Diâmetro da lâmina da serra	Diameter zaagblad	Savklingediameter	Sagbladdiameter	Sågbladets diameter	254 mm
Furo do veio	Asgat	Arborhul	Akselhull	Spindelhål	30 mm
Dentes da lâmina	Zaagbladtanden	Klingetænder	Bladtenner	Sågtand	48
Largura do corte	Breedte van de zaagsnede	Snitbredde	Kuttebredde	Skärbredd	2,6 mm
Capacidade máxima de corte	Maximale zaagcapaciteit	Maksimal skæreevne	Maksimal kuttekapasitet	Maximal skärkapacitet	
Esquadria 0°/bisel 0°	Verstek 0° / Afschuining 0°	Gering 0°/smig 0°	Gjæring 0° / Skråvinkel 0°	Gering 0° / avfasning 0°	89 mm x 305 mm
Esquadria 45°/bisel 0°	Verstek 45° / Afschuining 0°	Gering 45°/smig 0°	Gjæring 45° / Skråvinkel 0°	Gering 45° / avfasning 0°	89 mm x 203 mm
Esquadria 0°/bisel 45° (esq.)	Verstek 0° / Afschuining 45° (links)	Gering 0°/smig 45° (venstre)	Gjæring 0° / Skråvinkel 45° (venstre)	Gering 0° / avfasning 45° (vänster)	51 mm x 305 mm
Esquadria 0°/bisel 45° (dir.)	Verstek 0° / Afschuining 45° (rechts)	Gering 0°/smig 45° (højre)	Gjæring 0° / Skråvinkel 45° (høyre)	Gering 0° / avfasning 45° (höger)	38 mm x 305 mm
Esquadria 0°/bisel 48° (esq.)	Verstek 0° / Afschuining 48° (links)	Gering 0°/smig 48° (venstre)	Gjæring 0° / Skråvinkel 48° (venstre)	Gering 0° / avfasning 48° (vänster)	38 mm x 305 mm
Esquadria 0°/bisel 48° (dir.)	Verstek 0° / Afschuining 48° (rechts)	Gering 0°/smig 48° (højre)	Gjæring 0° / Skråvinkel 48° (høyre)	Gering 0° / avfasning 48° (höger)	19 mm x 305 mm
Esquadria 45°/bisel 45° (esq.)	Verstek 45° / Afschuining 45° (links)	Gering 45°/smig 45° (venstre)	Gjæring 45° / Skråvinkel 45° (venstre)	Gering 45° / avfasning 45° (vänster)	51 mm x 203 mm
Esquadria 45°/bisel 45° (dir.)	Verstek 45° / Afschuining 45° (rechts)	Gering 45°/smig 45° (højre)	Gjæring 45° / Skråvinkel 45° (høyre)	Gering 45° / avfasning 45° (höger)	38 mm x 203 mm
Esquadria 45°/bisel 48° (esq.)	Verstek 45° / Afschuining 48° (links)	Gering 45°/smig 48° (venstre)	Gjæring 45° / Skråvinkel 48° (venstre)	Gering 45° / avfasning 48° (vänster)	38 mm x 203 mm
Esquadria 45° (esq.)/bisel 48° (dir.)	Verstek 45° (links) / Afschuining 48° (rechts)	Gering 45°/smig 48° (højre)	Gjæring 45° / Skråvinkel 48° (høyre)	Gering 45° (vänster) / avfasning 48° (höger)	19 mm x 203 mm
Esquadria 70°/bisel 0°	Verstek 70° / Afschuining 0°	Gering 70°/smig 0°	Gjæring 70° / Skråvinkel 0°	Gering 70° / avfasning 0°	38 mm x 102 mm
Profundidade máxima de corte	Maximale zaagdiepte	Maksimal skærelængde	Maksimal kuttedybde	Maximalt djup för sågning	89 mm
Dimensões mínimas da peça de trabalho	Minimale afmetingen van het werkstuk	Minimum mål på emnet	Minimum arbeidsstykkeføl	Minsta mått för arbetsstycke	215 mm x 35 mm x 2,5 mm
<b>Informação sobre ruído</b>	<b>Informatie over geluidshinder</b>	<b>Information om støj</b>	<b>Informasjon om støy</b>	<b>Ljuduppgifter</b>	
Valores medidos determinados de acordo com a norma EN 62841. Em geral, os níveis de ruído de produtos ponderados a A são:	Gemeten geluidswaarden bepaald conform EN 62841. De A-gewogen geluidsniveaus van het gereedschap zijn normaliter:	Målte værdier i henhold til EN 62841. Typisk er de A-vægtede støjniveauer for værktøjet:	Målte verdier bestemt i henhold til EN 62841. De A-klassifiserte støynivåene til verktøyet er vanligvis:	Uppmåttade värden fastställda enligt EN 62841. De typiska A-viktade ljudnivåerna för verktyget är:	$L_{PA} = 95,2 \text{ dB(A)}$ $K = 3 \text{ dB(A)}$
Nível de pressão sonora/ Incerteza	Geluidsdrunkniveau/ onzekerheid	Lydtryksniveau/Usikkerhed	Lydtrykknivå / Usikkerhet	Ljudtrycksnivå / Osäkerhet	
Nível de potência sonora/ Incerteza	Geluidsvermogensniveau/ onzekerheid	Lydeffektniveau/Usikkerhed	Lydeffektnivå / Usikkerhet	Ljudeffektnivå / Osäkerhet	$L_{WA} = 108,1 \text{ dB(A)}$ $K = 3 \text{ dB(A)}$
<b>Use proteção auditiva!</b>	<b>Drag gehørsbescherming!</b>	<b>Brug høreværn!</b>	<b>Bruk hørselvern!</b>	<b>Använd hörselskydd!</b>	



EN

DE

FR

IT

ES

PT

NL

DA

NO

SV

FI

EL

TR

CS

SK

PL

HU

SL

HR

LV

LT

ET

RU

BG

RO

MK

UK

AR





Suomi	Ελληνικά	Türkçe	Čeština	Slovenčina
<b>Tekniset tiedot</b>	<b>Τεχνικά στοιχεία</b>	<b>Teknik veriler</b>	<b>Technické údaje</b>	<b>Technické údaje</b>
Tulo	Τροφοδοσία	Giriş	Vstup	Vstup
Nettopaino	Καθαρό βάρος	Net ağırlık	Čistá hmotnost	Čistá hmotnosť
Kuormittamaton nopeus	Ταχύτητα χωρίς φορτίο	Yüksüz hız	Otáčky bez zatížení	Otáčky bez zaťaženia
Sahanterän halkaisija	Διάμετρος λεπίδας πριονιού	Testere bıçağı çapı	Průměr pilového kotouče	Priemer pilovej čepele
Tuurnareikä	Οπή άξονα	Mil deliği	Upínací otvor	Otvor na upevňovací trň
Terän hampaat	Δόντια λεπίδας	Bıçak dişleri	Zub kotouče	Zuby čepele
Leikkuleveys	Πλάτος κοπής	Kesme genişliği	Šírka řezu	Šírka rezu
Maksimileikkukapasiteetti	Μέγιστη δυναμικότητα κοπής	Azami kesme kapasitesi	Maximální řezný výkon	Maximálna rezná kapacita
Jiiri 0° / viiste 0°	Φάλτσο 0° / Λοξοτομή 0°	Gönye 0° / Eğim 0°	Zkosení 0° / úkos 0°	Pokos 0°/úkos 0°
Jiiri 45° / viiste 0°	Φάλτσο 45° / Λοξοτομή 0°	Gönye 45° / Eğim 0°	Zkosení 45° / úkos 0°	Pokos 0°/úkos 45°
Jiiri 0° / viiste 45° (vasen)	Φάλτσο 0° / Λοξοτομή 45° (αριστερά)	Gönye 0° / Eğim 45° (sol)	Zkosení 0° / úkos 45°	Pokos 0°/úkos 45° (dofava)
Jiiri 0° / viiste 45° (oikea)	Φάλτσο 0° / Λοξοτομή 45° (δεξιά)	Gönye 0° / Eğim 45° (sağ)	Zkosení 0° / úkos 45° (vpravo)	Pokos 0°/úkos 45° (dofava)
Jiiri 0° / viiste 48° (vasen)	Φάλτσο 0° / Λοξοτομή 48° (αριστερά)	Gönye 0° / Eğim 48° (sol)	Zkosení 0° / úkos 48° (vlevo)	Pokos 0°/úkos 48° (dofava)
Jiiri 0° / viiste 48° (oikea)	Φάλτσο 0° / Λοξοτομή 48° (δεξιά)	Gönye 0° / Eğim 48° (sağ)	Zkosení 0° / úkos 48° (vpravo)	Pokos 0°/úkos 48° (doprava)
Jiiri 45° / viiste 45° (vasen)	Φάλτσο 45° / Λοξοτομή 45° (αριστερά)	Gönye 45° / Eğim 45° (sol)	Zkosení 45° / úkos 45° (vlevo)	Pokos 45°/úkos 45° (dofava)
Jiiri 45° / viiste 45° (oikea)	Φάλτσο 45° / Λοξοτομή 45° (δεξιά)	Gönye 45° / Eğim 45° (sağ)	Zkosení 45° / úkos 45° (vpravo)	Pokos 45°/úkos 45° (doprava)
Jiiri 45° / viiste 48° (vasen)	Φάλτσο 45° / Λοξοτομή 48° (αριστερά)	Gönye 45° / Eğim 48° (sol)	Zkosení 45° / úkos 48° (vlevo)	Pokos 45°/úkos 48° (dofava)
Jiiri 45° (vasen) / viiste 48° (oikea)	Φάλτσο 45° (αριστερά) / Λοξοτομή 48° (δεξιά)	Gönye 45° (sol) / Eğim 48° (sağ)	Zkosení 45° / úkos 48° (vpravo)	Pokos 45°/úkos 48° (doprava)
Jiiri 70° / viiste 0°	Φάλτσο 70° / Λοξοτομή 0°	Gönye 70° / Eğim 0°	Zkosení 70° / úkos 0°	Pokos 70°/úkos 0°
Maksimileikkuusyvyyς	Μέγιστο βάθος κοπής	Azami kesme derinliği	Maximální hloubka řezu	Maximálna rezná hĺbka
Työstettävän kappaleen vähimmäismitat	Ελάχιστες διαστάσεις τεμαχίου εργασίας	Minimum iş parçası boyutları	Minimální rozměry obrobku	Minimálne rozmery obrobku
<b>Melutiedot</b>	<b>Πληροφορίες θορύβου</b>	<b>Gürültü Bilgisi</b>	<b>Informace o hluku</b>	<b>Informácie o hluku</b>
Mitatut arvot määritetty EN 62841 -standardin mukaan. Työkalun A-painotetut melutasot ovat tyyppillisiä:	Μετρούμενες τιμές προσδιοριζόμενες σύμφωνα με το EN 62841. Συνήθως τα A-σταθμισμένα επίπεδα θορύβου του εργαλείου είναι:	EN 62841'e göre belirlenen ölçülen değerler. Tipik olarak, cihazın A-ağırlıklı gürültü seviyeleri şöyledir:	Naměřené hodnoty určené podle EN 62841. Typické hladiny hluku A nástroje:	Namerané hodnoty stanovené podľa normy EN 62841. Typické A-vážené úrovne hluku náradia sú:
Äänipaine / epävarmuus	Στάθμη ηχητικής πίεσης / Αβεβαιότητα	Ses basınç seviyesi / Belirsizlik	Hladina akustického tlaku / Nepřesnost	Hladina akustického tlaku / Odchýlka
Äänenteho / epävarmuus	Επίπεδο ηχητικής ισχύος / Αβεβαιότητα	Ses gücü seviyesi / Belirsizlik	Úroveň akustického výkonu / Nepřesnost	Hladina akustického výkonu / Odchýlka
<b>Pidä kuulosuojaimia!</b>	<b>Φοράτε προστατευτικά ακοής!</b>	<b>Kulak tıkacı kullanın!</b>	<b>Používejte ochranu sluchu!</b>	<b>Používajte ochranu sluchu!</b>





Polski	Magyar	Slovenščina	Hrvatski	
<b>Dane techniczne</b>	<b>Műszaki adatok</b>	<b>Tehnični podatki</b>	<b>Tehnički podaci</b>	
Wejście	Bemenet	Vhod	Ulaz	220V - 240V ~ 50 Hz
Masa netto	Nettó súly	Neto teža	Neto težina	24,6 kg
Prędkość obrotowa bez obciążenia	Terhelés nélküli sebesség	Hitrost brez obremenitve	Brzina bez opterećenja	4800 min <sup>-1</sup>
Średnica tarczy tnącej	Fűrészlárcsa átmérője	Premer rezila žage	Promjer lista pile	254 mm
Otwór osiowy	Rúdfurat	Luknja vretena	Otvor vretena	30 mm
Żęby tarczy	Fűrészlap fogai	Zobje rezila	Zubi pile	48
Szerokość cięcia	Vágási szélesség	Širina reza	Širina reza	2,6 mm
Maks. wielkość elementu obrabianego	Maximális vágási kapacitás	Največja zmogljivost rezanja	Maksimalni kapacitet rezanja	
Ukos 0° / skos 0°	Gérvágás 0° / ferdevágás 0°	Zajeralni rez 0° / poševni rez 0°	Kosi rez 0° / kosina 0°	89 mm x 305 mm
Ukos 45° / skos 0°	Gérvágás 45° / ferdevágás 0°	Zajeralni rez 45° / poševni rez 0°	Kosi rez 45° / kosina 0°	89 mm x 203 mm
Ukos 0° / skos 45° (lewy)	Gérvágás 0° / ferdevágás 45° (bal)	Zajeralni rez 0° / poševni rez 45° (levo)	Kosi rez 0° / kosina 45° (lijevo)	51 mm x 305 mm
Ukos 0° / skos 45° (prawy)	Gérvágás 0° / ferdevágás 45° (jobb)	Zajeralni rez 0° / poševni rez 45° (desno)	Kosi rez 0° / kosina 45° (desno)	38 mm x 305 mm
Ukos 0° / skos 48° (lewy)	Gérvágás 0° / ferdevágás 48° (bal)	Zajeralni rez 0° / poševni rez 48° (levo)	Kosi rez 0° / kosina 48° (lijevo)	38 mm x 305 mm
Ukos 0° / skos 45° (prawy)	Gérvágás 0° / ferdevágás 48° (jobb)	Zajeralni rez 0° / poševni rez 48° (desno)	Kosi rez 0° / kosina 48° (desno)	19 mm x 305 mm
Ukos 45° / skos 45° (lewy)	Gérvágás 45° / ferdevágás 45° (bal)	Zajeralni rez 45° / poševni rez 45° (levo)	Kosi rez 45° / kosina 45° (lijevo)	51 mm x 203 mm
Ukos 45° / skos 45° (prawy)	Gérvágás 45° / ferdevágás 45° (jobb)	Zajeralni rez 45° / poševni rez 45° (desno)	Kosi rez 45° / kosina 45° (desno)	38 mm x 203 mm
Ukos 45° / skos 45° (lewy)	Gérvágás 45° / ferdevágás 48° (bal)	Zajeralni rez 45° / poševni rez 48° (levo)	Kosi rez 45° / kosina 48° (lijevo)	38 mm x 203 mm
Ukos 45° (lewy) / skos 48° (lewy)	Gérvágás 45° (bal) / ferdevágás 48° (jobb)	Zajeralni rez 45° (levo) / poševni rez 48° (desno)	Kosi rez 45° / kosina 48° (desno)	19 mm x 203 mm
Ukos 70° / skos 0°	Gérvágás 70° / ferdevágás 0°	Zajeralni rez 70° / poševni rez 0°	Kosi rez 70° / kosina 0°	38 mm x 102 mm
Maksymalna głębokość cięcia	Legnagyobb vágási mélység	Največja globina rezanja	Maksimalna dubina rezanja	89 mm
Minimalne wymiary przedmiotu obrabianego	Munkadarab minimális méretei	Najmanjše dimenzije obdelovanca	Minimalne dimenzije obratka	215 mm x 35 mm x 2,5 mm
<b>Informacje o hałasie</b>	<b>Zajinformációk</b>	<b>Informacije o hrupu</b>	<b>Informacije o buci</b>	
Zmierzone wartości określono zgodnie z normą EN 62841. Typowe wartości poziomu dźwięku A dla narzędzia wynoszą:	A mért értékek meghatározása az EN 62841 szabvány szerint. Jellemzően az eszköz „A” súlyozott zajszintjei:	Izmerjene vrednosti določene v skladu z EN 62841. Običajne povprečno uravnotežene stopnje hrupa orodja so:	Izmerjene vrijednosti u skladu s normom EN 62841. Tipično, A-ponderirane vrijednosti razine buke iznose:	
Poziom ciśnienia akustycznego / niepewność	Hangnyomásmérszint/bizonytalanság	Raven zvočnega tlaka / negotovost	Razina zvučnog tlaka / Nesigurnost	L <sub>PA</sub> = 95,2 dB(A) / K = 3 dB(A)
Poziom natężenia dźwięku / niepewność	Hangteljesítményszint/bizonytalanság	Raven zvočne moči / negotovost	Razina jakosti zvuka / Nesigurnost	L <sub>WA</sub> = 108,1 dB(A) / K = 3 dB(A)
<b>Nosić ochronę słuchu!</b>	<b>Viseljen hallásvédőt!</b>	<b>Nosite zaščito za ušesa!</b>	<b>Nosite zaštitu za uši!</b>	



EN

DE

FR

IT

ES

PT

NL

DA

NO

SV

FI

EL

TR

CS

SK

PL

HU

SL

HR

LV

LT

ET

RU

BG

RO

MK

UK

AR





Latviski	Lietuviškai	Eesti	Русский	Български
<b>Tehniskie dati</b>	<b>Techniniai duomenys</b>	<b>Tehnilised andmed</b>	<b>Технические характеристики</b>	<b>Технически данни</b>
Ieejas raksturlielumi	Ivadas	Sisend	Вход	Вход
Neto svars	Grynasis svoris	Netokaal	Вес нетто	Нетно тегло
Tukšgaitas ātrums	Greitis be apkrovos	Tõõkiirus koormuse puudumisel	Скорость вращения без нагрузки	Скорост на празен ход
Zāga asmens diametrs	Pjovimo disko skersmuo	Saeketta läbimõõt	Диаметр пильного полотна	Диаметър на острието на триона
Centrālā atvere	Vidinė atvere	Võlli ava	Отверстие для шпинделя	Отвор на шпиндела
Asmens zobi	Geležtės dantukų skaičius	Lõiketera hammas	Число зубьев	Зъби на острието
Griezuma platums	Pjovimo plotis	Lõikelaius	Ширина распила	Ширина на рязане
Maksimālā griešanas spēja	Maksimalus pjovimo pajėgumas	Maksimaalne lõikevõimsus	Максимальная производительность при резке	Максимален капацитет на рязане
Slīpums 0° / noliekums 0°	0° istrižas / 0° nuožulnus	Kaldenurk 0° / lāngnurk 0°	Наклон 0° / скос 0°	Скосяване 0° / наклон 0°
Slīpums 45° / noliekums 0°	45° istrižas / 0° nuožulnus	Kaldenurk 45° / lāngnurk 0°	Наклон 45° / скос 0°	Скосяване 45° / наклон 0°
Slīpums 0° / noliekums 45° (pa kreisi)	0° istrižas / 45° nuožulnus (kairinis)	Kaldenurk 0° / lāngnurk 45° (vasak)	Наклон 0° / скос 45° (влево)	Скосяване 0° / наклон 45° (ляво)
Slīpums 0° / noliekums 45° (pa labi)	0° istrižas / 45° nuožulnus (dešininis)	Kaldenurk 0° / lāngnurk 45° (parem)	Наклон 0° / скос 45° (вправо)	Скосяване 0° / наклон 45° (дясно)
Slīpums 0° / noliekums 48° (pa kreisi)	0° istrižas / 48° nuožulnus (kairinis)	Kaldenurk 0° / lāngnurk 48° (vasak)	Наклон 0° / скос 48° (влево)	Скосяване 0° / наклон 48° (ляво)
Slīpums 0° / noliekums 48° (pa labi)	0° istrižas / 48° nuožulnus (dešininis)	Kaldenurk 0° / lāngnurk 48° (parem)	Наклон 0° / скос 48° (вправо)	Скосяване 0° / наклон 48° (дясно)
Slīpums 45° / noliekums 45° (pa kreisi)	45° istrižas / 45° nuožulnus (kairinis)	Kaldenurk 45° / lāngnurk 45° (vasak)	Наклон 45° / скос 45° (влево)	Скосяване 45° / наклон 45° (ляво)
Slīpums 45° / noliekums 45° (pa labi)	45° istrižas / 45° nuožulnus (dešininis)	Kaldenurk 45° / lāngnurk 45° (parem)	Наклон 45° / скос 45° (вправо)	Скосяване 45° / наклон 45° (дясно)
Slīpums 45° / noliekums 48° (pa kreisi)	45° istrižas / 48° nuožulnus (kairinis)	Kaldenurk 45° / lāngnurk 48° (vasak)	Наклон 45° / скос 48° (влево)	Скосяване 45° / наклон 48° (ляво)
Slīpums 45° / noliekums 48° (pa labi)	45° istrižas / 48° nuožulnus (dešininis)	Kaldenurk 45° / lāngnurk 48° (parem)	Наклон 45° / скос 48° (вправо)	Скосяване 45° / наклон 48° (дясно)
Slīpums 70° / noliekums 0°	70° istrižas / 0° nuožulnus	Kaldenurk 70° / lāngnurk 0°	Наклон 70° / скос 0°	Скосяване 70° / наклон 0°
Максимālais griešanas dziļums	Максимalus pjovimo gylis	Максimaalne lõikesügavus	Максимальная глубина разреза	Максимална дълбочина на рязане
Minimālā apstrādājamā materiāla izmēri	Minimalūs ruošinio matmenys	Töödeldava detaili mininummmõõtmed	Минимальный размер обрабатываемой детали	Минимални размери на работния детайл
<b>Trokšņu informācija</b>	<b>Informācija apie keliamaį triukšmą</b>	<b>Andmed müra kohta</b>	<b>Данные об уровне шума</b>	<b>Информация за шума</b>
Izmērtās vērtības noteiktas saskaņā ar EN 62841. Parasti instrumenta A-svērte skaņu līmeņi ir:	Išmatotosios vertės, nustatytos pagal standartą EN 62841.: Įrankio nustatyti A triukšmo lygiai dažniausiai yra:	Mõõdetud väärtused vastavad standardile EN 62841.: Tõõriista A-korjigeeritud müratasemed on üldjuhul:	Значения получены в соответствии со стандартом EN 62841. Как правило, амплитудно-взвешенные уровни шума инструмента составляют:	Измерените стойности са определени съгласно EN 62841. Обикновено A-претеглените нива на шум на инструмента са:
Skaņas spiediena līmenis / Nenoteiktība	Garso slėgio lygis / paklaida	Helirõhutase / määramatus	Уровень звукового давления / Погрешность	Ниво на звуково налягане / Неопределеност
Skaņas jaudas līmenis / Nenoteiktība	Garso galios lygis / paklaida	Helivõimsuse tase / määramatus	Уровень звуковой мощности / Погрешность	Ниво на звукова мощност / Неопределеност
<b>Valkājiet dzirdes aizsarglīdzekļus!</b>	<b>Dēvēkite ausų apsaugos priemones!</b>	<b>Kasutage kõrvakaitsmeid!</b>	<b>Используйте средства защиты органов слуха!</b>	<b>Носете антифони!</b>





Româna	Македонски	Українська	عربي
Fișă de date tehnice	Технички податоци	Технічні характеристики	البيانات التقنية
Intrare	Влез	Вхід	الدخل 220V - 240V ~ 50 Hz
Greutate netă	Нето тежина	Вага нетто	الوزن الصافي 24,6 kg
Viteză fără sarcină	Брзина без оптоварување	Швидкість без навантаження	السرعة دون حمل 4800 min <sup>-1</sup>
Diametru lama de ferăstrău	Дијаметар на сечило за пила	Диаметр різального диска	قطر نصل المنشار 254 mm
Fantă arbore	Отвор на арбор	Централний отвір	محور عجلة النصل 30 mm
Dinte lamă	Заби на сечило	Зубці леца	أسنان الشفرة 48
Lățimea de tăiere	Ширина на рез	Ширина прорізу	عرض القطع 2,6 mm
Capacitate de tăiere maximă	Капацитет на максимално сечење	Максимална рязальна спроможність	قدرة القطع القصوى
Mitră 0° / Înclinație 0°	Агол на навалување 0° / Агол на навалување вертикално 0°	Кут 0° / скіс 0°	0° / ميل / 0° 89 mm x 305 mm
Mitră 45° / Înclinație 0°	Агол на навалување 45° / Агол на навалување вертикално 0°	Кут 45° / скіс 0°	0° / ميل / 45° 89 mm x 203 mm
Mitră 0° / Înclinație 45° (stânga)	Агол на навалување 0° / Агол на навалување вертикално 45° (лево)	Кут 0° / скіс 45° (лівий)	0° / ميل / 45° (يسار) 51 mm x 305 mm
Mitră 0° / Înclinație 45° (dreapta)	Агол на навалување 0° / Агол на навалување вертикално 45° (десно)	Кут 0° / скіс 45° (правий)	0° / ميل / 45° (يمين) 38 mm x 305 mm
Mitră 0° / Înclinație 48° (stânga)	Агол на навалување 0° / Агол на навалување вертикално 48° (лево)	Кут 0° / скіс 48° (лівий)	0° / ميل / 48° (يسار) 38 mm x 305 mm
Mitră 0° / Înclinație 48° (dreapta)	Агол на навалување 0° / Агол на навалување вертикално 48° (десно)	Кут 0° / скіс 48° (правий)	0° / ميل / 48° (يمين) 19 mm x 305 mm
Mitră 45° / Înclinație 45° (stânga)	Агол на навалување 45° / Агол на навалување вертикално 45° (лево)	Кут 45° / скіс 45° (лівий)	45° / ميل / 45° (يسار) 51 mm x 203 mm
Mitră 45° / Înclinație 45° (dreapta)	Агол на навалување 45° / Агол на навалување вертикално 45° (десно)	Кут 45° / скіс 45° (правий)	45° / ميل / 45° (يمين) 38 mm x 203 mm
Mitră 45° / Înclinație 48° (stânga)	Агол на навалување 45° / Агол на навалување вертикално 48° (лево)	Кут 45° / скіс 48° (лівий)	45° / ميل / 48° (يسار) 38 mm x 203 mm
Mitră 45° (stânga) / Înclinație 48° (dreapta)	Агол на навалување 45° (лево) / Агол на навалување вертикално 48° (лево)	Кут 45° (лівий) / скіс 48° (правий)	45° / ميل / 48° (يسار) / 48° (يمين) 19 mm x 203 mm
Mitră 70° / Înclinație 0°	Агол на навалување 70° / Агол на навалување вертикално 0°	Кут 70° / скіс 0°	0° / ميل / 70° 38 mm x 102 mm
Adâncime maximă de tăiere	Максимална длабочина на сечење	Максимална глибина ризання	الحد الأقصى لعمق القطع 89 mm
Dimensiunile minime ale piesei de prelucrat	Максимални димензии на работно парче	Максимални розміри заготовки	الحد الأدنى لأبعاد قطعة العمل 215 mm x 35 mm x 2,5 mm
Date despre nivelul de zgomot	Информација за бучава	Информација про шум	معلومات المتعلقة بالضوضاء
Valori măsurate conform standardului EN 62841. În mod uzual, nivelurile de zgomot ponderate A ale uneltei sunt:	Измерени вредности пресметани според EN 62841.. Вообичаено, нивоата на бучава од А-мерењата на алатот се:	Вимірјані значења відповідно до EN 62841. Номінально А-зважені значења шуму інструменту такі:	يتم قياس القيم وفقاً للمواصفة EN 62841. في العادة، تكون مستويات الضوضاء A المرجحة للأداة هي:
Nivel de zgomot/incertitudine	Ниво на звучен притисок / Неизвесност	Рівень звукового тиску / похибка	مستوى الضغط المناسب / غير مؤكد L <sub>PA</sub> = 95,2 dB(A) / K = 3 dB(A)
Nivel putere sonoră/incertitudine	Ниво на моќност на звук / Неизвесност	Рівень звукової потужності / похибка	مستوى الطاقة المناسب / غير مؤكد L <sub>WA</sub> = 108,1 dB(A) / K = 3 dB(A)
Portați protecție pentru urechi!	Носете заштита за уши!	Надягайте навушници!	يجب ارتداء واقيات الأذن!



EN

DE

FR

IT

ES

PT

NL

DA

NO

SV

FI

EL

TR

CS

SK

PL

HU

SL

HR

LV

LT

ET

RU

BG

RO

MK

UK

AR

i







## EN ⚠ WARNING!

The declared noise emission value(s) have been measured in accordance with a standard test method, and may be used for comparing one tool with another.

The declared noise value(s) may also be used in a preliminary assessment of exposure.

The noise emissions during actual use of the power tool can differ from the declared values depending on the ways in which the tool is used especially what kind of workpiece is processed.

Identify safety measures to protect the operator based on an estimation of exposure in the actual conditions of use (taking account of all parts of the operating cycle such as the times when the tool is switched off and when it is running idle in addition to the trigger time).

Wear hearing protection. Exposure to noise can cause hearing loss.

## DE ⚠ WARNUNG!

Die ausgewiesenen Geräuschemissionswerte wurden gemäß einer Standardtestmethode gemessen und können zum Vergleichen von Werkzeugen verwendet werden.

Die ausgewiesenen Geräuschemissionswerte können auch für die Erstbewertung der Emission verwendet werden.

Geräuschemissionen während des Betriebs des Elektrowerkzeugs können sich, abhängig von der Verwendung des Werkzeugs und insbesondere des Werkstücks, von den ausgewiesenen Werten unterscheiden.

Legen Sie die Sicherheitsmaßnahmen fest, die den Bediener basierend auf einer Schätzung der Belastung unter tatsächlichen Einsatzbedingungen schützen (unter Berücksichtigung aller Phasen des Betriebszyklus, beispielsweise die Zeiten, wenn das Werkzeug aus- und eingeschaltet ist und sich zusätzlich zur Startzeit im Leerlauf befindet).

Tragen Sie einen Gehörschutz. Die Einwirkung von Lärm kann Hörverlust bewirken.

## FR ⚠ MISE EN GARDE

Les valeurs d'émission sonore déclarées ont été mesurées en suivant la procédure de test standard des normes et peuvent être utilisées pour comparer les différents outils.

Les valeurs d'émission sonore déclarées peuvent aussi servir à une évaluation préliminaire d'exposition au bruit.

Les émissions sonores lors de l'utilisation d'un outil électrique peuvent être différentes des valeurs déclarées en fonction de la méthode d'utilisation de l'outil, surtout selon le type de la pièce qui est traité.

Identifiez les mesures de sécurité pour protéger l'opérateur en fonction de l'estimation de l'exposition dans les conditions d'utilisation réelles (en tenant compte de toutes les phases du cycle de fonctionnement, notamment les périodes pendant lesquelles l'outil est éteint et celles où il fonctionne au ralenti, en plus du temps de déclenchement).

Portez des protections auditives. L'influence du bruit peut provoquer la surdité.

## IT ⚠ MISE EN GARDE

I valori di emissione sonora dichiarati che sono stati misurati in base a un metodo di prova standardizzato e possono essere utilizzati per confrontare uno strumento con un altro.

I valori sonori dichiarati possono inoltre essere utilizzati in una valutazione preliminare dell'esposizione.

Le emissioni sonore durante l'uso effettivo dell'elettrodomestico possono differire dai valori dichiarati a seconda delle modalità in cui lo strumento è utilizzato, soprattutto in base al tipo di pezzo trattato.

Identificare le misure di sicurezza per proteggere l'operatore in base alla valutazione dell'esposizione nelle attuali condizioni d'uso (tenendo conto di tutte le parti del ciclo operativo come il numero di volte in cui lo strumento viene spento e quando gira al minimo, oltre al tempo di attivazione).

Indossare una protezione dell'udito. L'esposizione prolungata al rumore senza protezione può causare danni all'udito.

## ES ⚠ ¡ADVERTENCIA!

Los valores de emisiones de ruido declarados se han medido conforme a un método de prueba estándar y se pueden usar para comparar una herramienta con otra.

Los valores de ruido declarados se pueden usar en una evaluación de exposición preliminar.

Las emisiones de ruido durante el uso actual de la herramienta eléctrica pueden diferir de los valores declarados en función de las maneras en las que se usa la herramienta, especialmente el tipo de pieza de trabajo que se está procesando.

Identificar las medidas de seguridad para proteger al operario en función del cálculo de exposición en las condiciones actuales de uso (teniendo en cuenta todas las piezas del ciclo operativo como las veces que se apaga la herramienta y cuando funciona a ralentí además del tiempo del gatillo).

¡Utilice protecciones auditivas. La exposición a niveles de ruido excesivos puede causar pérdida de audición.

## PT ⚠ AVISO!

Os valores da emissão de ruído declarados foram medidos de acordo com um método de teste padrão das normas e poderão ser utilizados para comparar uma ferramenta com outra.

Os valores de ruído declarados também poderão ser utilizados numa avaliação da exposição preliminar.

As emissões de ruído durante a utilização real da ferramenta elétrica podem ser diferentes dos valores declarados, dependendo das formas como a ferramenta é utilizada e, particularmente, que tipo de peça de trabalho é processada.

Identifique medidas de segurança para proteger o operador com base numa estimativa da exposição nas condições de utilização reais (considerando todas as partes do ciclo de operação, tal como os períodos em que a ferramenta está desligada e quando está a funcionar ao ralenti, bem como o tempo de acionamento do gatilho).

Use proteção auditiva. A influência de ruídos pode causar surdez.

## NL ⚠ WAARSCHUWING!

De opgegeven geluidsemissiewaarde(n) is (zijn) gemeten volgens een standaard testmethode en kan (kunnen) gebruikt worden om het ene werktuig met het andere te vergelijken.

De opgegeven geluidswaarde(n) kan (kunnen) ook worden gebruikt bij een voorafgaande beoordeling van de blootstelling van.

De geluidsemissie tijdens het feitelijke gebruik van het elektrische gereedschap kan afwijken van de opgegeven waarden, afhankelijk van de manier waarop het gereedschap wordt gebruikt, in het bijzonder welk werkstuk wordt ingezet.

Identificeer veiligheidsmaatregelen om de bediener te beschermen op basis van een schatting van de blootstelling in de werkelijke gebruiksomstandigheden (rekening houdend met alle onderdelen van de werkingscyclus, zoals de tijden waarop het apparaat wordt uitgeschakeld en wanneer het naast de activeringstijd stationair draait).

Draag gehoorbescherming. Blootstelling aan geluid kan het gehoor beschadigen.

## DA ⚠ ADVARSEL!

De angivne støjemissionsværdier er målt i overensstemmelse med en standardtestmetode og kan bruges til at sammenligne et værktøj med et andet.

De angivne støjværdier kan også anvendes i en foreløbig vurdering af eksponeringen.

Støjniveauet under selve brugen af elværktøjet kan afvige fra de erklærede værdier afhængigt af, hvordan værktøjet bruges, især hvad slags emne behandles.

Identificer sikkerhedsforanstaltninger for at beskytte operatøren ud fra et estimat af eksponering under de aktuelle anvendelsesbetingelser (under hensyntagen til alle dele af drifts cyklussen, som f.eks. de tider, hvor værktøjet er slukket, og når det kører tomgang ud over udløserens tid).

Brug høreværn. Støjpåvirkning kan bevirke tab af hørelse.

## NO ⚠ ADVARSEL!

De erklærte utslippsverdiene er blitt målt i samsvar med en standardisert testmetode og kan brukes til å sammenligne et verktøy med et annet.

De erklærte støyverdiene kan også brukes i en preliminær eksponeringsvurdering.

Støyutslippene under faktisk bruk av det elektriske verktøyet kan skille seg fra de erklærte verdiene avhengig av måten verktøyet brukes på, spesielt i henhold til hvilket materiale som behandles.

Identifiser sikkerhetstiltak for å beskytte operatøren basert på en beregning av eksponering i de faktiske bruksforholdene (ta i vurdering alle deler i drifts cyclussen, slik som tidene da verktøyet er avslått og når det kjører i tomgang i tillegg til utløsningstiden).

Bruk hørselsvern. Støy kan føre til tap av hørselen.

## SV ⚠ VARNING!

Angivna brusnivåer har mätts i enlighet med en standardmetod, och kan användas för att jämföra ett verktyg med ett annat.

De angivna brusnivåerna kan även användas i en preliminär exponeringsbedömning.

Brusnivåerna vid verklig användning av elverktyget kan skilja sig från de angivna värdena beroende på vilket sätt verktyget används på, särskilt när det kommer till vilken typ av arbetsstycke som bearbetas.

Identifiera säkerhetstiltak för att skydda operatören baserat på en uppskattad exponering under verkliga användningsförhållanden (med betraktande av alla delar av driftcykeln såsom när verktyget stängs av och när det körs i tomgångsläge, förutom utlösningstiden).

Använd hörselskydd. Bullerbelastning kan orsaka hörselskador.

## FI ⚠ VAARITUS!

Ilmoitet melutasot on mitattu vakiotestimenetelmän mukaisesti, ja niitä voidaan käyttää työkalujen vertailussa.

Ilmoitettuja melutasoja voidaan käyttää myös altistumisen ennakoivoinnissa.

Sähkötyökalun käytön aikaiset todelliset melutasot voivat poiketa ilmoitetuista arvoista riippuen siitä, miten työkalua käytetään ja erityisesti siitä, minkä tapaisista työkaluista työstetään.





Tunnista turvakeinot, joiden avulla työntekijää suojataan, todellisten käyttöolosuhteiden altistusrivien perusteella (ota huomioon käyttöajaksi kaikki osat, kuten ajat, joina työkalu on pois päältä ja milloin se on joutokäynnissä laukaisusajan lisäksi).

Käytä kuulosuojaimia. Altistuminen melulle voi vahingoittaa kuuloa.

## EL ⚠️ ΠΡΟΕΙΔΟΠΟΙΗΣΗ!

H(0) δηλωθείσα(-ες) τιμή(-ές) εκπομπής θορύβου έχει(-ουν) μετρηθεί σύμφωνα με μια τυπική μέθοδο δοκιμών και μπορεί(-ούν) να χρησιμοποιηθεί(-ούν) για τη σύγκριση ενός εργαλείου με ένα άλλο.

The noise emissions during actual use of the power tool can differ from the declared values depending on the ways in which the tool is used especially what kind of workpiece is processed.

Οι εκπομπές θορύβου κατά τη διάρκεια της πραγματικής χρήσης του ηλεκτρικού εργαλείου μπορεί να διαφέρουν από τις δηλωθείσες τιμές ανάλογα με τους τρόπους με τους οποίους χρησιμοποιείται το εργαλείο, και ιδίως το είδος του κατεργαζόμενου τεμαχίου.

Προσδιορίστε τα μέτρα ασφαλείας για την προστασία του χειριστή με βάση την εκτίμηση της έκθεσης στις πραγματικές συνθήκες χρήσης (λαμβάνοντας υπόψη όλα τα μέρη του κύκλου λειτουργίας, όπως είναι οι χρόνοι κατά τις οποίες το εργαλείο είναι απενεργοποιημένο και όταν βρίσκεται σε αδρανή κατάσταση επιπροσθέτως του χρόνου πυροδότησης).

Φοράτε προστατευτικά ακοής. Η επιδράση θορύβου μπορεί να προκαλέσει απώλεια ακοής.

## TR ⚠️ UYARI!

Açıklanan gürültü emisyon değeri/değerleri uyumlu standart test yöntemleriyle ölçülmüş olup, bir aleti digerileyi karşılaştırmak için kullanılabılır.

Açıklanan gürültü değeri/değerleri maruz kalma ön değeri/endirmesi için de kullanılabilir.

Aletin kullanıma yöntemleri ve özellikle işlenen parçanın türüne bağlı olarak, elektrikli aletin filii kullanımı sırasındaki gürültü emisyonları açıklanan değerlere göre farklılık gösterebilir.

Operatörü korumak için, işleme döngüsünün bütün safhalarını (çalışma süresine ilave olarak aletin çalıştırılmadığı ve basta çalıştırıldığı süreler de dahil) göz önünde bulundurarak filii kullanım koşullarındaki maruz kalma tahminini temel alıp gerekli güvenlik önlemlerini belirleyin.

Kulak tıkaçı kullanın. Gürültüye maruz kalmak işitme kaybına neden olabilir.

## CS ⚠️ VAROVÁNÍ!

Udávane hodnoty akustické hladiny hluku byly změněny s využitím standardních zkušebních metod a lze je použít k porovnání hlučnosti různého nářadí.

Udávane hodnoty hlučnosti lze také využít k předběžnému vyhodnocení účinků na osoby.

Skutečná hlučnost se může od udávaných hodnot lišit v závislosti na způsobu používání nářadí, obzvláště na druhu obrobku.

Určete bezpečnostní opatření na ochranu obsluhy na základě odhadnutého účinku za podmínek konkrétního používání (při zohlednění všech součástí provozního cyklu, například také obrobků, které je nářadí vypnuté nebo běží na volnoběh).

Používejte ochranu sluchu. Působením hluku může dojít k poškození sluchu.

## SK ⚠️ VÝSTRAHA!

Udávane hodnoty emisii hluku boli namerané v súlade so štandardným spôsobom testovania a môžu sa používať na porovnanie jednotlivých nástrojov.

Udávane hodnoty hluku sa môžu tiež používať na predbežné posúdenie expozície.

Emisie hluku počas skutočného používania elektrického náradia sa môžu od udávaných hodnôt lišit v závislosti od spôsobov používania náradia, hlavne od opracovaného obrobku.

Identifikujte bezpečnostné opatrenia s cieľom chrániť obsluhu na základe približného stanovenia expozície v aktuálnych podmienkach používania (pri zohľadnení všetkých súčastí prevádzkového cyklu; okrem času spustenia zohľadnite aj čas vypnutia náradia a jeho spustenia na volnobehu).

Použíajte ochranu sluchu. Vystavenie hluku môže spôsobiť stratu sluchu.

## PL ⚠️ OSTRZEŻENIE!

Deklarowany(-e) poziom(y) emisji hałasu został(y) zmierzony(-y) zgodnie ze znormalizowaną metodą badania i może(-ga) być wykorzystywany(-e) do porównywania poszczególnych narzędzi.

Deklarowany(-e) poziom(y) hałasu można również wykorzystywać do wstępnej oceny narażenia.

Emisja hałasu podczas rzeczywistego użytkowania narzędzia z napędem może różnić się od deklarowanych wartości w zależności od sposobu jego użytkowania, a w szczególności w zależności od rodzaju obrabianego przedmiotu.

Należy zidentyfikować środki bezpieczeństwa w celu ochrony operatora w oparciu o szacunkową ocenę narażenia w rzeczywistych warunkach użytkowania (z uwzględnieniem wszystkich etapów cyklu operacyjnego, takich jak włączanie, przestoły przy włączonym silniku czy rozruch).

Nosić ochronę słuchu. Narażenie na hałas może spowodować utratę słuchu.

## HU ⚠️ FIGYELMEZTETÉS!

A közölt zajkibocsátási érték(ek)et szabványos vizsgálati módszerrel mérték, és ez(ek) felhasználható(k) az egyik szerszám másikkal való összehasonlításához.

A közölt zajszintérték(ek) alapján előzetesen felmérhető a kitétség mértéke.

A szerszám tényleges használata során kibocsátott zajszint a szerszám használati módjától, különösen a feldolgozott munkadarabtól függően eltérhet.

A tényleges használati körülmények miatti kitétségi szint alapján állapítsa meg a kezelő védelméhez szükséges biztonsági intézkedéseket (vegye figyelembe a működési ciklus összes részét, pl. a szerszám kikapcsolási és üresjáratú idejét, valamint az indítási időt).

Viseljen hallásvédelmet. A fokozott zajhatás hosszú távon a hallás elvesztését eredményezheti.

## SL ⚠️ OPOZORILO!

Navedene vrednosti oddajanja hrupa so bile izmerjene v skladu s standardno testno metodo in se lahko uporabljajo za medsebojno primerjavo orodij.

Navedene vrednosti oddajanja hrupa ase lahko uporabijo tudi za predhodno oceno izpostavljenosti.

Emisije hrupa med dejansko uporabo elektroenergijske orodja so lahko drugačne od navedenih vrednosti, kar je odvisno od načina uporabe orodja in predvsem vrste obdelovanca.

Varnostne ukrepe za zaščito operaterja ugotovite na podlagi ocene izpostavljenosti v dejanskih pogojih uporabe (pri čemer upoštevajte vse dele cikla uporabe, to je čas dejanske uporabe in tudi čas, v katerem je orodje izklopljeno in ko teče v prostem teku).

Uporabljajte zaščito sluha. Izpostavljenost hrupu lahko povzroči izgubo sluha.

## HR ⚠️ UPOZORENJE!

Deklarirane vrijednosti emisije buke izmjerene su u skladu sa standardnom ispitnom metodom i mogu se koristiti za usporedbu jednog alata s drugim.

Deklarirana vrijednost buke može se koristiti i za preliminarnu procjenu izlaganja.

Emisije buke tijekom trenutnog korištenja električnog alata mogu se razlikovati od deklariranih vrijednosti ovisno o načinima korištenja alata, osobito o vrsti obrade radnog komada.

Utvrdite sigurnosne mjere za zaštitu rukovatelja na temelju procjene izlaganja u sadašnjim uvjetima korištenja (vođeći računa o svim dijelovima radnog ciklusa kao što su vremena iskljućivanja alata i kada alat radi u praznom hodu u vrijeme okidanja).

Nosite zaštitu za sluh. Izlaganje buci može izazvati gubitak sluha.

## LV ⚠️ UZMANĪBU!

Deklarētais radio trokšņu līmeņa vērtība(s) ir mērīta saskaņā ar standarta testa metodi, kas var tikt izmantotas viena instrumenta salīdzināšanai ar citu.

Deklarētās trokšņu vērtība(s) var tikt izmantotas arī sākotnējai ietekmes novērtēšanai.

Trokšņu līmeni faktiskās elektroenerģijas lietošanas laikā var atšķirties no deklarētās vērtības, atkarībā no veida, kādā instruments tiek izmantots, un it sevišķi, kādā materiāls tiek apstrādāts.

Nosakiet drošības pasākumus, lai aizsargātu lietotāju, pamatojoties uz ietekmes aplēsi faktiskajos apstākļos (ņemot vērā visas darba cikla daļas, piemēram laiku, kad instruments ir izslēgts un kad tas darbojas tukšgaitā papildu izmantošanas laikā).

Valkājiet dzirdes aizsarglīdzekļus. Ausu pakļaušana trokšņa iedarbībai var izraisīt dzirdes traucējumus.

## LT ⚠️ ĮSPĖJIMAS!

Deklaruoti keliama triukšmo vertė(-ės) nustatyta(-os) atsižvelgiant į standartinį bandymo metodą, todėl ją(jas) galima palyginti su kitų elektrinių įrankių keliama triukšmu.

Deklaruota keliama triukšmo vertė(-ės) taip pat gali būti naudojama(-os) preliminariam triukšmo poveikiui įvertinti.

Faktiškai naudojant elektrinį įrankį, keliama triukšmo lygis gali skirtis nuo paskelbtosios vertės, priklausomai nuo būdų, kuriais yra naudojamas šis įrankis, ir ypač nuo to, koks ruošinys yra apdirbamas.

Siekiant apsaugoti naudotoją, būtina įvertinti saugos priemonės, remdamiesi triukšmo poveikio įvertinimu esant faktinėms naudojimo sąlygoms (atsižvelgdami į visas darbo ciklo dalis, pavyzdžiui, ne tik kiek laiko įrankis veikia, bet ir kiek kartų jis yra išjungiamas bei kai jis veikia be aprovų).

Naudokite klausos apsaugos priemones. Jei ausų neapsaugosite, galite prarasti klausą.

## ET ⚠️ HOIATUS!

Deklareeritud mürataseme väärtus(ed) on mõeldud vastavalt standardtesti meetodile ja seda saab kasutada tööriista võrdlemiseks.

Deklareeritud mürataseme väärtus (väärtused) saab kasutada ka kokkupuute eelhinnaanguks.

Elektritööriista kasutamisega kaasnev mürataseme võib erineda deklareeritud väärtustest, sõltuvalt tööriista kasutamise viisist, eriti sellest, millist tööriik töödelatakse.





Tehke kindlaks ohutusmeetmed, et kaitsta operaatorit vastavalt tegelike kasutus tingimuste hinnangule (võttes arvesse kõiki tööotsükli osasid, näiteks tööriista väljalülitamise aegu ja vabakäigul töötamise aega lisaks käivitamise ajale).

Kandke kuuldekaitset. Tugev müra võib põhjustada kuulmiskaotuse.

## RU ⚠ ВНИМАНИЕ!

Заявленные уровни шумового воздействия получены с использованием метода тестирования и могут применяться для сравнения инструментов.

Заявленные уровни шума также могут применяться в ходе предварительной оценки общего воздействия.

Фактическая шумность работающего электроинструмента может отличаться от заявленных значений в зависимости от условий использования, в частности от обрабатываемого материала.

Меры безопасности оператора должны определяться с учетом примерного воздействия в фактических условиях эксплуатации (принимая во внимание все этапы рабочего цикла, например, периоды отключения инструмента и работы на холостом ходу).

Используйте средства защиты органов слуха. Воздействие шума может привести к потере слуха.

## BG ⚠ ПРЕДУПРЕЖДЕНИЕ!

Посочините стойности на шумовите емисии са измерени по стандартен тестов метод и могат да се използват за сравняване на един инструмент с друг.

Посочините стойности на шума могат да се използват също така и при предварителна оценка на излагането.

Шумовите емисии по време на действителната употреба на електрическа инструменти може да се различават от посочени стойности в зависимост от начините, по които се използва инструментът, и по-специално от вида на обработвания детайл.

Идентифициране на мерките за безопасност за защита на оператора въз основа на излагането в действителните условия на употреба (като се вземат предвид всички части на работния цикъл, като напр. времето, през което инструментът е изключен и когато работи на празен ход в допълнение към времето на работа).

Носете антифони. Излагането на шум може да причини увреждане на слуха.

## RO ⚠ ATENȚIE!

Valoarea declarată a emisiei de zgomot a fost măsurată în conformitate cu o metodă de testare standard și poate fi utilizată pentru compararea uneltelor.

Valoarea de zgomot declarată poate fi utilizată și pentru evaluarea preliminară a expunerii.

Emisiile de zgomot în timpul utilizării efective a unelei electrice pot fi diferite față de valorile declarate în funcție de modul în care este utilizată unealta și în special de tipul de piesă prelucrată.

Identificați măsurile de siguranță pentru protecția operatorului, pe baza unei estimări a expunerii în condițiile reale de lucru (având în vedere toate părțile ciclului de funcționare, precum perioadele când unealta este oprită și când funcționează la ralanti, plus perioada de activare).

Purtați protecție pentru urechi. Expunerea la zgomot poate produce pierderea auzului.

## MK ⚠ ПРЕДУПРЕДУВАЊЕ!

Декларираните вредности на емисија за бучава се мерат во согласност со стандарден метод за тестирање и може да се користат за споредување на еден алат со друг.

Декларираните вредности на бучава може да се користат и при прелиминарна проценка на изложеноста.

Емисиите на бучава при вистинска употреба на електричниот алат може да се разликуваат од декларираните вредности во зависност од начините на кои се користат алатот, особено каков вид на работно парче се обработува.

Идентификувајте безбедносни мерки за заштита на операторот врз основа на проценката на изложеноста во реалните услови (земајќи ги предвид сите делови од работниот циклус, како што е времето кога алатот е исклучен и кога тој работи во мирување, освен времето на активирање).

Носете заштита за ситилото за слух. Изложеноста на бучава може да предизвика губење на слухот.

## UK ⚠ УВАГА!

Заявлені значення випромінювання шуму було виміряно у відповідності зі стандартним методом випробовування та можуть бути використані для порівняння одного інструменту з іншим.

Заявлені значення шуму також можуть бути використані при попередній оцінці впливу.

Виклиди шуму при фактичному використанні електроінструменту можуть відрізнятись від заявлених значень залежно від способів використання інструменту, особливо того, який вид оброблюваної деталі обробляється.

Визначити заходи безпеки для захисту оператора на основі оцінки впливу в реальних умовах використання (з урахуванням всіх частин робочого циклу,

таких як час, коли інструмент вмикється і коли він працює на холостому ході на додаток до часу вмикання).

Носіть захист слуху. Вплив шуму може призвести до втрати слуху.

## AR ⚠ تحذیر!

تم قياس قيمة (قيم) انبعاث الضوضاء المُعلن عنها وفقاً لطريقة اختبار قياسية، ويمكن استخدامها لمقارنة أداة بأخرى.

يمكن أيضاً استخدام قيمة (قيم) الضوضاء المُعلنة في التقييم الأولي للتعرض.

قد تختلف انبعاثات الضوضاء أثناء الاستخدام الفعلي للأداة الكهربائية عن القيم المُعلنة اعتماداً على طرق استخدام الأداة، وبخاصة حسب نوع قطع العمل التي تتم معالجتها.

يجب تحديد تدابير السلامة لحماية المشغل بناءً على تقدير التعرض في ظروف الاستخدام الفعلية (مع مراعاة جميع عناصر دورة التشغيل مثل الأوقات التي يتم فيها إيقاف تشغيل الأداة وعندما يتم تشغيلها بدون أحمال بالإضافة إلى زمن التجهيز).

يجب ارتداء واقبات السمع، قد يؤدي التعرض للضوضاء إلى فقدان السمع.





## EN EC-DECLARATION OF CONFORMITY

### Mitre saw

Brand: AEG | Manufacturer<sup>1</sup> | Model number<sup>2</sup> | Production code<sup>3</sup>

We declare as the manufacturer under our sole responsibility that the product described under Technical Data fulfills all the relevant provisions of the following European Directives, European Regulations and harmonised standards.<sup>4</sup>

Authorised to compile the technical file.<sup>5</sup>

## DE EU-KONFORMITÄTSERKLÄRUNG

### Gehringssäge

Marke: AEG | Hersteller<sup>1</sup> | Modellnummer<sup>2</sup> | Produktionscode<sup>3</sup>

Wir als Hersteller erklären in alleiniger Verantwortung, dass das unter „Technische Daten“ beschriebene Produkt allen einschlägigen Bestimmungen der folgenden EU-Richtlinien, EU-Verordnungen und harmonisierten Normen entspricht.<sup>4</sup>

Autorisiert die technische Datei zu erstellen.<sup>5</sup>

## FR DÉCLARATION DE CONFORMITÉ CE

### Scie à onglets

Marque: AEG | Fabricant<sup>1</sup> | Numéro de modèle<sup>2</sup> | Code de production<sup>3</sup>

Nous déclarons, en qualité de fabricant, sous notre entière responsabilité, que le produit décrit dans la section Données techniques remplit toutes les dispositions pertinentes des directives et réglementations européennes suivantes, ainsi que des normes harmonisées.<sup>4</sup>

Autorisé à rédiger le dossier technique.<sup>5</sup>

## IT DICHIARAZIONE DI CONFORMITÀ CE

### Sega

Marca: AEG | Ditta produttrice<sup>1</sup> | Numéro de modèle<sup>2</sup> | Codice di produzione<sup>3</sup>

In qualità di produttori, dichiariamo, sotto la nostra esclusiva responsabilità, che il prodotto descritto nelle Specifiche tecniche ottempera a tutte le pertinenti disposizioni delle seguenti direttive europee, normative europee e dei seguenti standard armonizzati.<sup>4</sup>

Autorizzato per compilare il file tecnico.<sup>5</sup>

## ES DECLARACIÓN DE CONFORMIDAD CE

### Sierra ingletadora

Marca: AEG | Fabricante<sup>1</sup> | Número de modelo<sup>2</sup> | Código de producción<sup>3</sup>

Como fabricante, declaramos, bajo nuestra exclusiva responsabilidad, que el producto descrito en el apartado Datos Técnicos cumple con todas las disposiciones relevantes de las siguientes directivas, normas armonizadas y reglamentos europeos.<sup>4</sup>

Autorizado para elaborar la ficha técnica.<sup>5</sup>

## PT DECLARAÇÃO DE CONFORMIDADE DA CE

### Serra de esquadria

Marca: AEG | Fabricante<sup>1</sup> | Número do modelo<sup>2</sup> | Código de produção<sup>3</sup>

Declaramos na qualidade de fabricante e sob nossa exclusiva responsabilidade que o produto mencionado nos Dados técnicos cumpre todas as disposições aplicáveis das seguintes diretivas, regulamentos e normas harmonizadas da União Europeia.<sup>4</sup>

Autorizado para compilar o ficheiro técnico.<sup>5</sup>

## NL EG-VERKLARING VAN OVEREENSTEMMING

### Verstekzaag

Merk: AEG | Fabrikant<sup>1</sup> | Modelnummer<sup>2</sup> | Productiecode<sup>3</sup>

Wij verklaren naar onze eigen verantwoordelijkheid als fabrikant, dat het hieronder genoemde product voldoet aan alle relevante bepalingen van de volgende Europese richtlijnen, Europese verordeningen en geharmoniseerde normen.<sup>4</sup>

Afgevaardigde voor het samenstellen van de technische fiche.<sup>5</sup>

## DA EF-OVERENSSTEMMELSESERKLÆRING

### Geringssav

Brand: AEG | Producent<sup>1</sup> | Modelnummer<sup>2</sup> | Produktionskode<sup>3</sup>

Vi erklærer som fremstiller under eget ansvar, at produktet beskrevet under Tekniske data opfylder alle de relevante forskrifter i de følgende europæiske direktiver, europæiske forordninger og harmoniserede standarder.<sup>4</sup>

Bemyndiget til at udarbejde det tekniske kartotek.<sup>5</sup>

## NO EU-ERKLÆRING OM SAMSVAR

### Gjæringssag

Merke: AEG | Produsent<sup>1</sup> | Modellnummer<sup>2</sup> | Produksjonskode<sup>3</sup>

Vi erklærer, som produsent, på eget ansvar at produktet beskrevet under tekniske data oppfyller alle de relevante bestemmelsene i de europeiske direktiver, europeiske forskrifter og harmoniserte standarder.<sup>4</sup>

Autorisert til å sette sammen den tekniske filen.<sup>5</sup>

## SV EG-FÖRSÄKRAN OM ÖVERENSSTÄMMELSE

### Gersåg

Märke: AEG | Tillverkare<sup>1</sup> | Modellnummer<sup>2</sup> | Tillverkningskod<sup>3</sup>

Vi som tillverkare förklarar under eget ansvar att den produkt som beskrivs under rubriken Tekniska uppgifter uppfyller alla relevanta föreskrifter i följande europeiska direktiv, europeiska förordningar och harmoniserade standarder.<sup>4</sup>

Godkänd att sammanställa den tekniska filen.<sup>5</sup>

## FI EIY-VAATIMUSTENMUKAISUUSVAKUUTUS

### Juurikatkaisuhaha

Tuotemerkki: AEG | Valmistaja<sup>1</sup> | Mallinumero<sup>2</sup> | Valmistuskoodi<sup>3</sup>

Valmistajana vakuutamme omalla vastuullamme, että teknisissä tiedoissa kuvattu tuote täyttää kaikki seuraavien eurooppalaisten direktivien ja määräysten ja yhdenmukaistettujen standardien kaikki asiaankuuluvat säännökset.<sup>4</sup>

Valettutettu kokoomaan tekninen tiedosto.<sup>5</sup>

## EL ΔΗΛΩΣΗ ΣΥΜΜΟΡΦΩΣΗΣ ΕΕ

### Φαλτσπρίονο

Μάρκα: AEG | Κατασκευαστής<sup>1</sup> | Αριθμός μοντέλου<sup>2</sup> | Κωδικός προϊόντος<sup>3</sup>

Δηλώνουμε, με την ιδιότητα του κατασκευαστή και με αποκλειστικά δική μας ευθύνη, ότι το προϊόν που περιγράφεται στα Τεχνικά στοιχεία πληρεί όλες τις σχετικές διατάξεις των ακόλουθων Ευρωπαϊκών Οδηγιών, Ευρωπαϊκών Κανονισμών και εναρμονισμένων προτύπων.<sup>4</sup>

Εξουσιοδοτημένος για τη σύνταξη του αρχείου τεχνικών χαρακτηριστικών.<sup>5</sup>

## TR AT-UYGUNLUK BEYANI

### Gönye testere

Marka: AEG | Üretici<sup>1</sup> | Model numarası<sup>2</sup> | Üretim kodu<sup>3</sup>

Üretici olarak tüm sorumluluğu bize ait olmak üzere, Teknik Verilerde belirtilen ürünüün aşağıdaki Avrupa Direktifleri, Avrupa Mevzuatı ve uyumlaştırılmış standartların ilgili hükümlerini yerine getirdiğini beyan ederiz.<sup>4</sup>

Teknik dosyayı derleme yetkisine sahip.<sup>5</sup>

## CS PROHLÁŠENÍ O SHODĚ EC

### Pokosová pila

Značka: AEG | Výrobce<sup>1</sup> | Číslo modelu<sup>2</sup> | Výrobní kód<sup>3</sup>

Jako výrobce prohlašujeme výhradně na vlastní odpovědnost, že výrobek uvedený v Technických údajích splňuje všechna příslušná ustanovení evropských směrnic, evropských nařízení a harmonizovaných norem.<sup>4</sup>

Pověření ke kompilaci technického souboru.<sup>5</sup>

## SK VYHLÁSENIE O ZHODE ES

### Pokosová pila

Značka: AEG | Výrobca<sup>1</sup> | Číslo modelu<sup>2</sup> | Výrobný kód<sup>3</sup>

Ako výrobca na vlastnú zodpovednosť vyhlasujeme, že výrobok uvedený nižšie pod technickými údajmi vyhovuje príslušným ustanoveniam nasledujúcich evropských smerníc, európskych nariadení a harmonizovaných noriem.<sup>4</sup>

Oprávnená osoba na zostavenie technického súboru.<sup>5</sup>

## PL DEKLARACJA ZGODNOŚCI WE

### Ukośnica

Marka: AEG | Producent<sup>1</sup> | Numer modelu<sup>2</sup> | Kod produkcyjny<sup>3</sup>

Jako producent oświadczamy na własną odpowiedzialność, że produkt opisany w sekcji „Specyfikacja” spełnia wszystkie istotne postanowienia wymienionych poniżej dyrektyw UE, przepisów europejskich oraz norm zharmonizowanych.<sup>4</sup>

Dyrektor zarządzający.<sup>5</sup>

## HU EK-MEGFELELŐSÉGI NYILATKOZAT SZERINT

### Gérvágó fűrész

Márka: AEG | Gyártó<sup>1</sup> | Típuszám<sup>2</sup> | Gyártási kód<sup>3</sup>

EN
DE
FR
IT
ES
PT
NL
DA
NO
SV
FI
EL
TR
CS
SK
PL
HU
SL
HR
LV
LT
ET
RU
BG
RO
MK
UK
AR



Гyártóként kizárólagos felelősségünk tudatában nyilatkozunk, hogy a Műszaki adatok részben leírt termék megfelel a következő európai irányelvek, szabványok és harmonizált szabványok vonatkozó rendelkezéseinek.<sup>4</sup>

A műszaki dokumentáció összeállítására felhatalmazott.<sup>5</sup>

## SL IZJAVA O SKLADNOSTI ES

### Zajeralna žaga

Znamka: AEG | Proizvajalec<sup>1</sup> | Številka modela<sup>2</sup> | Koda proizvodnje<sup>3</sup>

Kot proizvajalec pod izključno lastno odgovornostjo izjavljamo, da izdelek, opisan v razdelku tehnični podatki, izpolnjuje vse ustrezne predpise naslednjih evropskih direktiv, evropskih uredb in harmoniziranih standardov.<sup>4</sup>

Pooblaščen oseba za sestavo tehnične dokumentacije.<sup>5</sup>

## HR EZ IZJAVA O SUKLADNOSTI

### Kutna pila

Marka: AEG | Proizvođač<sup>1</sup> | Broj modela<sup>2</sup> | Proizvodni kod<sup>3</sup>

Kao proizvođač, pod punom odgovornošću izjavljujemo da proizvod opisan u tehničkim podacima zadovoljava sve relevantne odredbe sljedećih evropskih direktiva, evropskih uredbi i usklađenih normi.<sup>4</sup>

Ovlašten da sastavi tehničku datoteku.<sup>5</sup>

## LV ES ATBILSTĪBAS DEKLARĀCIJA

### Leņķzāģis

Zīmols: AEG | Ražotājs<sup>1</sup> | Modeļa numurs<sup>2</sup> | Ražošanas kods<sup>3</sup>

Ar pilnu atbildību mēs kā ražotājs deklarējam, ka sadaļā Tehniskie dati aprakstītais produkts izpilda visas atbilstošās norādīto Eiropas direktīvu, Eiropas regulu un harmonizēto standartu prasības.<sup>4</sup>

Pilnvarots sastādīt tehnisko failu.<sup>5</sup>

## LT EB ATITIKTIES DEKLARACIJA

### Kampinis pjūklas

Prekės ženklas: AEG | Gamintojas<sup>1</sup> | Modelio numeris<sup>2</sup> | Gamybos kodas<sup>3</sup>

Mes, gamintojai, atsakingai pareiškiame, kad techninių duomenų dokumente aprašytas gaminytis atitinka visas atitinkamas toliau nurodytų Europos direktyvų, Europos reglamentų ir darniųjų standartų nuostatas.<sup>4</sup>

Įgaliotas sudaryti techninį failą.<sup>5</sup>

## ET EÜ VASTAVUSDEKLARATSIOON

### Nurgasaag

Mark: AEG | Tootja<sup>1</sup> | Mudeli number<sup>2</sup> | Tootekood<sup>3</sup>

Kinnitame tootjana oma ainuisikulisel vastutusel, et jaotises „Tehnilised andmed“ kirjeldatud toode vastab kõigile järgmistele Euroopa direktiivide, Euroopa määruste ja ühtlustatud standardite asjakohastele sätetele.<sup>4</sup>

Tehnilise faili koostamiseks volitatud isik.<sup>5</sup>

## RU ДЕКЛАРАЦИЯ О СООТВЕТСТВИИ ЕЭС

### Торцовочная пила

Марка: AEG | Изготовитель<sup>1</sup> | Номер модели<sup>2</sup> | Код производителя<sup>3</sup>

Со всей ответственностью как производитель заявляем, что изделие, указанное в «Технических характеристиках», отвечает всем соответствующим положениям следующих европейских директив, европейских регламентов, а также гармонизированных стандартов.<sup>4</sup>

Лицо, ответственное за подготовку технической документации.<sup>5</sup>

## BG ДЕКЛАРАЦИЯ НА ЕО ЗА СЪОТВЕТСТВИЕ

### Циркуляр за рязане под ъгъл

Марка: AEG | Производител<sup>1</sup> | Номер на модела<sup>2</sup> | Производствен код<sup>3</sup>

Като производител декларираме на своя лична отговорност, че продуктът, описан в „Технически данни“, отговаря на всички съответни разпоредби на директивите и регламентите на Европейския съюз и хармонизираните стандарти по-долу.<sup>4</sup>

Упълномощено лице за съставяне на техническия файл.<sup>5</sup>

## RO DECLARAȚIA CE DE CONFORMITATE

### Ferăstrău cu mitră

Marcă: AEG | Producător<sup>1</sup> | Număr serie<sup>2</sup> | Cod produs<sup>3</sup>

În calitate de producător, declarăm pe proprie responsabilitate că produsul descris în fișa de date tehnice îndeplinește toate prevederile relevante ale directivelor Uniunii Europene, ale Regulamentelor UE și standardele armonizate.<sup>4</sup>

Autorizat să completeze fișa tehnică.<sup>5</sup>

## MK EK-DEKLARACIJA ZA SOOBRAZNOST

### Аголна пила

Трговска марка: AEG | Производител<sup>1</sup> | Број на модел<sup>2</sup> | Шифра на производство<sup>3</sup>

Ние, како производител, изјавуваме под наша единствена одговорност дека производот опишан во Технички податоци ги исполнува сите соодветни одредби на следните европски директиви, европски регулативи и усогласени стандарди.<sup>4</sup>

Овластен за прибирање технички податоци.<sup>5</sup>

## UK ДЕКЛАРАЦИЈА ВІДПОВІДНОСТІ ЕС

### Торцювальна пила

Марка: AEG | Виробник<sup>1</sup> | Номер на модела<sup>2</sup> | Заводський код<sup>3</sup>

Як виробник ми відповідально заявляємо, що описаний нижче у Технічних даних, пристрій відповідає всім чинним положенням директив ЄС, Європейських норм та гармонізованих стандартів.<sup>4</sup>

Уповноважений складати технічну документацію.<sup>5</sup>

## AR بیان المطابقة - EC

منشأ تلمين

العلامة التجارية: AEG | الشركة المصنعة<sup>1</sup> | رقم الطراز<sup>2</sup> | رمز الإنتاج<sup>3</sup>

نقر نحن الشركة المصنعة تحت مسؤوليتنا المنفردة بأن المنتج الموصوف تحت البيانات التقنية يفي بجميع الشروط ذات الصلة بالتوجيهات الأوروبية واللوائح الأوروبية والمعايير المنسقة الواردة فيما يلي.<sup>4</sup>

مخول بكتابة الملف التقني.<sup>5</sup>

<sup>1</sup> Techtronic Industries GmbH

Max-Eyth-Straße 10, 71364 Winnenden, Germany

<sup>2</sup> PS254DBE

<sup>3</sup> 48626501000001-999999

<sup>4</sup> 2011/65/EU (RoHS)

2014/30/EU

2006/42/EC

EN IEC 55014-1:2021

EN IEC 55014-2:2021

EN IEC 61000-3-2:2019+A1:2021

EN IEC 61000-3-11:2019

EN 62841-1:2015

EN IEC 62841-3-9:2020+A11:2020

EN IEC 63000:2018

Todd Chipner

Vice President, Quality – Asia

Winnenden, 2022-06-10

<sup>5</sup> Alexander Krug, Managing Director

Techtronic Industries GmbH

Max-Eyth-Straße 10,

71364 Winnenden,



Germany







# AEG



[www.aeg-powertools.eu](http://www.aeg-powertools.eu)

**Techtronic Industries GmbH**

Max-Eyth-Straße 10  
71364 Winnenden  
Germany

(06.22)

*AEG is a registered trade mark used under  
license from AB Electrolux (publ).*

